

## 54ACT563 Octal Latch with TRI-STATE® Outputs

### General Description

The 'ACT563 is a high-speed octal latch with buffered common Latch Enable (LE) and buffered common Output Enable ( $\overline{OE}$ ) inputs.

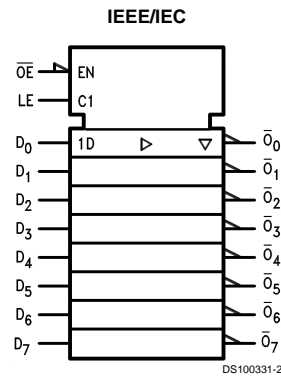
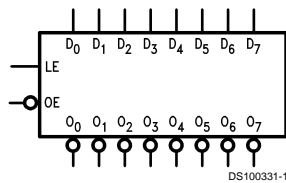
The 'ACT563 device is functionally identical to the 'ACT573, but with inverted outputs.

### Features

- $I_{CC}$  and  $I_{OZ}$  reduced by 50%

- Inputs and outputs on opposite sides of package allow easy interface with microprocessors
- Useful as input or output port for microprocessors
- Functionally identical to 'ACT573 but with inverted outputs
- Outputs source/sink 24 mA
- 'ACT563 has TTL-compatible inputs
- Standard Military Drawing (SMD)  
— 'ACT563: 5962-89556

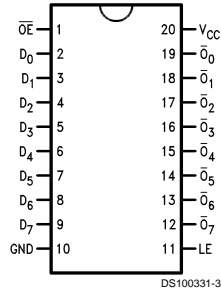
### Logic Symbols



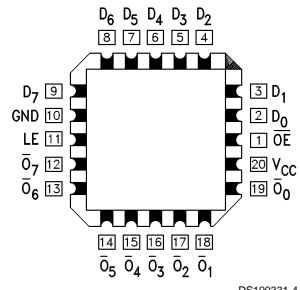
Pin Names	Description
$D_0$ – $D_7$	Data Inputs
LE	Latch Enable Input
$\overline{OE}$	TRI-STATE Output Enable Input
$\overline{O}_0$ – $\overline{O}_7$	TRI-STATE Latch Outputs

## Connection Diagrams

Pin Assignment  
for DIP and Flatpak



Pin Assignment  
for LCC



## Functional Description

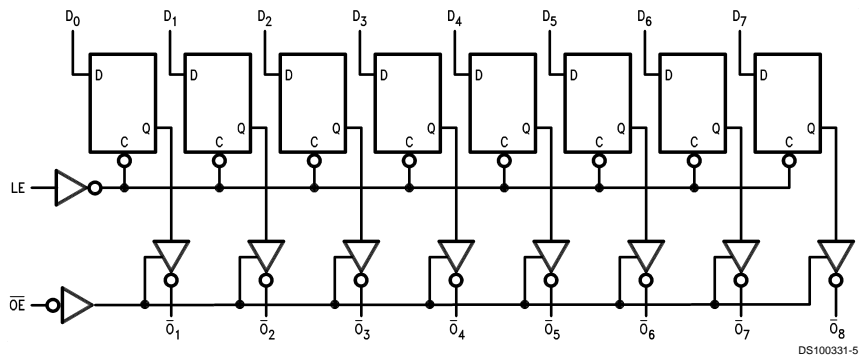
The 'ACT563 contains eight D-type latches with TRI-STATE complementary outputs. When the Latch Enable (LE) input is HIGH, data on the  $D_n$  inputs enters the latches. In this condition the latches are transparent, i.e., a latch output will change state each time its D input changes. When LE is LOW the latches store the information that was present on the D inputs a setup time preceding the HIGH-to-LOW transition of LE. The TRI-STATE buffers are controlled by the Output Enable ( $\overline{OE}$ ) input. When  $\overline{OE}$  is LOW, the buffers are in the bi-state mode. When  $\overline{OE}$  is HIGH the buffers are in the high impedance mode but that does not interfere with entering new data into the latches.

## Function Table

Inputs		Internal	Outputs	Function
$\overline{OE}$	LE	Q	O	
H	X	X	Z	High-Z
H	H	H	Z	High-Z
H	H	L	Z	High-Z
H	L	NC	Z	Latched
L	H	H	H	Transparent
L	H	L	L	Transparent
L	L	NC	NC	Latched

H = HIGH Voltage Level  
L = LOW Voltage Level  
X = Immaterial  
Z = High Impedance  
NC = No Change

## Logic Diagram



Please note that this diagram is provided only for the understanding of logic operations and should not be used to estimate propagation delays.

## Absolute Maximum Ratings (Note 1)

If Military/Aerospace specified devices are required, please contact the National Semiconductor Sales Office/Distributors for availability and specifications.

Supply Voltage ( $V_{CC}$ )	-0.5V to +7.0V
DC Input Diode Current ( $I_{IK}$ )	
$V_I = -0.5V$	-20 mA
$V_I = V_{CC} + 0.5V$	+20 mA
DC Input Voltage ( $V_I$ )	-0.5V to $V_{CC} + 0.5V$
DC Output Diode Current ( $I_{OK}$ )	
$V_O = -0.5V$	-20 mA
$V_O = V_{CC} + 0.5V$	+20 mA
DC Output Voltage ( $V_O$ )	-0.5V to $V_{CC} + 0.5V$
DC Output Source or Sink Current ( $I_O$ )	±50 mA
DC $V_{CC}$ or Ground Current per Output Pin ( $I_{CC}$ or $I_{GND}$ )	±50 mA
Storage Temperature ( $T_{STG}$ )	-65°C to +150°C

Junction Temperature ( $T_J$ )

CDIP

175°C

## Recommended Operating Conditions

Supply Voltage ( $V_{CC}$ )	
'ACT	4.5V to 5.5V
Input Voltage ( $V_I$ )	0V to $V_{CC}$
Output Voltage ( $V_O$ )	0V to $V_{CC}$
Operating Temperature ( $T_A$ )	
54ACT	-55°C to +125°C
Minimum Input Edge Rate ( $\Delta V/\Delta t$ )	
'ACT Devices	
$V_{IN}$ from 0.8V to 2.0V	
$V_{CC}$ @ 4.5V, 5.5V	125 mV/ns

**Note 1:** Absolute maximum ratings are those values beyond which damage to the device may occur. The databook specifications should be met, without exception, to ensure that the system design is reliable over its power supply, temperature, and output/input loading variables. National does not recommend operation of FACT™ circuits outside databook specifications.

## DC Characteristics for 'ACT Family Devices

Symbol	Parameter	$V_{CC}$ (V)	54ACT		Units	Conditions
			$T_A =$ -55°C to +125°C			
			Guaranteed Limits			
$V_{IH}$	Minimum High Level Input Voltage	4.5	2.0		V	$V_{OUT} = 0.1V$ or $V_{CC} - 0.1V$
		5.5	2.0			
$V_{IL}$	Maximum Low Level Input Voltage	4.5	0.8		V	$V_{OUT} = 0.1V$ or $V_{CC} - 0.1V$
		5.5	0.8			
$V_{OH}$	Minimum High Level Output Voltage	4.5	4.4		V	$I_{OUT} = -50 \mu A$
		5.5	5.4			
		4.5	3.70		V	(Note 2) $V_{IN} = V_{IL}$ or $V_{IH}$ $I_{OH} = -24 mA$ $I_{OH} = -24 mA$
		5.5	4.70			
$V_{OL}$	Maximum Low Level Output Voltage	4.5	0.1		V	$I_{OUT} = 50 \mu A$
		5.5	0.1			
		4.5	0.50		V	(Note 2) $V_{IN} = V_{IL}$ or $V_{IH}$ $I_{OL} = 24 mA$ $I_{OL} = 24 mA$
		5.5	0.50			
$I_{IN}$	Maximum Input Leakage Current	5.5	±1.0		μA	$V_I = V_{CC}, GND$
$I_{OZ}$	Maximum TRI-STATE Current	5.5	±5.0		μA	$V_I = V_{IL}, V_{IH}$ $V_O = V_{CC}, GND$
$I_{CCT}$	Maximum $I_{CC}$ /Input	5.5	1.6		mA	$V_I = V_{CC} - 2.1V$
$I_{OLD}$	(Note 3) Minimum Dynamic	5.5	50		mA	$V_{OLD} = 1.65V$ Max
	Output Current	5.5	-50		mA	$V_{OHD} = 3.85V$ Min
$I_{CC}$	Maximum Quiescent Supply Current	5.5	80.0		μA	$V_{IN} = V_{CC}$ or GND

**Note 2:** All outputs loaded; thresholds on input associated with output under test.

**Note 3:** Maximum test duration 2.0 ms, one output loaded at a time.

**Note 4:**  $I_{CC}$  for 54ACT @ 25°C is identical to 74ACT @ 25°C.

## AC Electrical Characteristics

Symbol	Parameter	V <sub>CC</sub> (V) (Note 5)	54ACT		Units	Fig. No.
			T <sub>A</sub> = -55°C to +125°C C <sub>L</sub> = 50 pF			
			Min	Max		
t <sub>PLH</sub>	Propagation Delay D <sub>n</sub> to $\bar{O}_n$	5.0	1.0	14.5	ns	
t <sub>PHL</sub>	Propagation Delay D <sub>n</sub> to $\bar{O}_n$	5.0	1.0	12.0	ns	
t <sub>PLH</sub>	Propagation Delay LE to $\bar{O}_n$	5.0	1.0	12.5	ns	
t <sub>PHL</sub>	Propagation Delay LE to $\bar{O}_n$	5.0	1.0	11.5	ns	
t <sub>PZH</sub>	Output Enable Time	5.0	1.0	11.5	ns	
t <sub>PZL</sub>	Output Enable Time	5.0	1.0	11.0	ns	
t <sub>PHZ</sub>	Output Disable Time	5.0	1.0	12.0	ns	
t <sub>PLZ</sub>	Output Disable Time	5.0	1.0	9.5	ns	

Note 5: Voltage Range 5.0 is 5.0V ±0.5V

## AC Operating Requirements

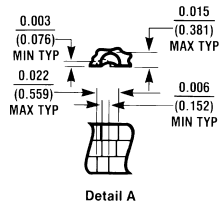
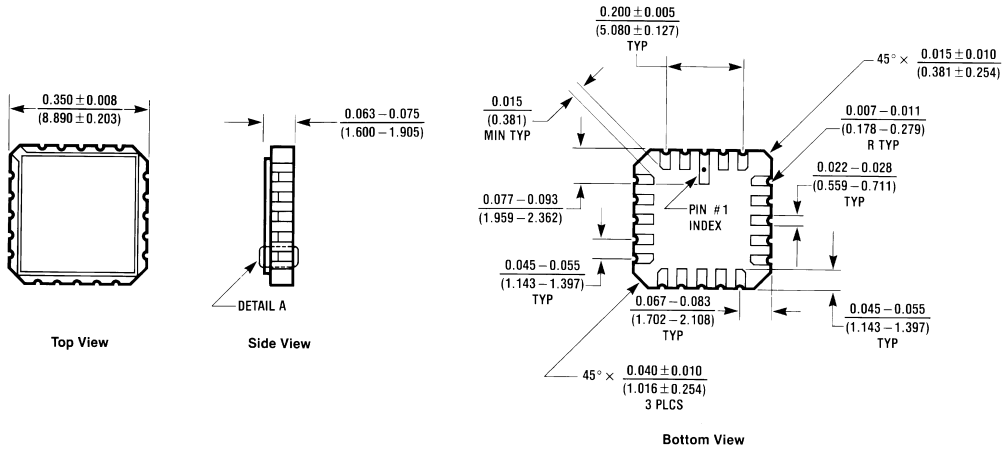
Symbol	Parameter	V <sub>CC</sub> (V) (Note 6)	54ACT		Units	Fig. No.
			T <sub>A</sub> = -55°C to +125°C C <sub>L</sub> = 50 pF			
			Guaranteed Minimum			
t <sub>s</sub>	Setup Time, HIGH or LOW D <sub>n</sub> to LE	5.0	4.5		ns	
t <sub>h</sub>	Hold Time, HIGH or LOW D <sub>n</sub> to LE	5.0	1.5		ns	
t <sub>w</sub>	LE Pulse Width, HIGH	5.0	5.0		ns	

Note 6: Voltage Range 5.0 is 5.0V ±0.5V

## Capacitance

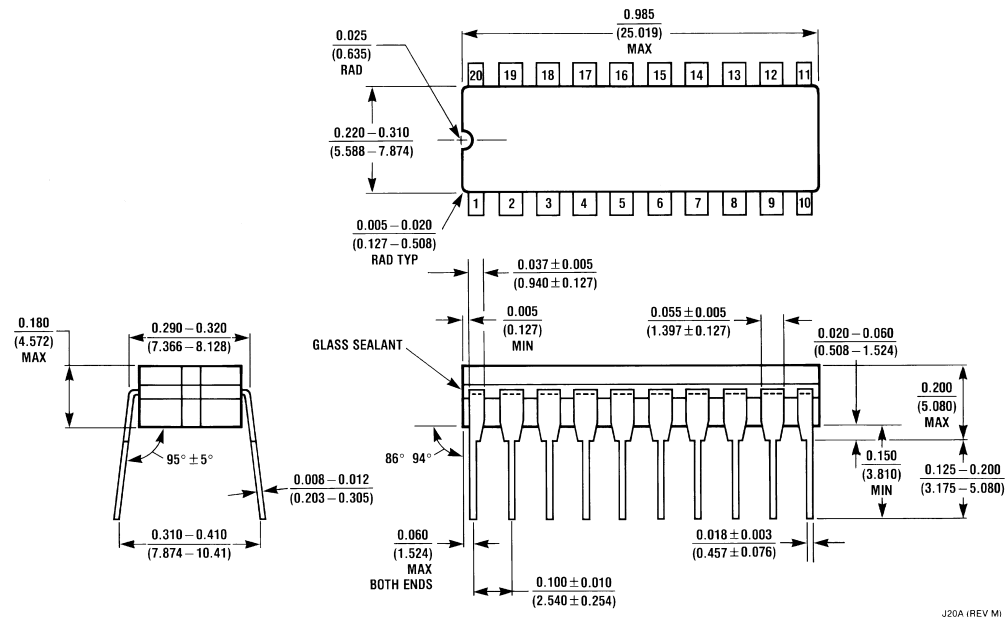
Symbol	Parameter	Typ	Units	Conditions
C <sub>IN</sub>	Input Capacitance	4.5	pF	V <sub>CC</sub> = OPEN
C <sub>PD</sub>	Power Dissipation Capacitance	50.0	pF	V <sub>CC</sub> = 5.0V

**Physical Dimensions** inches (millimeters) unless otherwise noted



E20A (REV D)

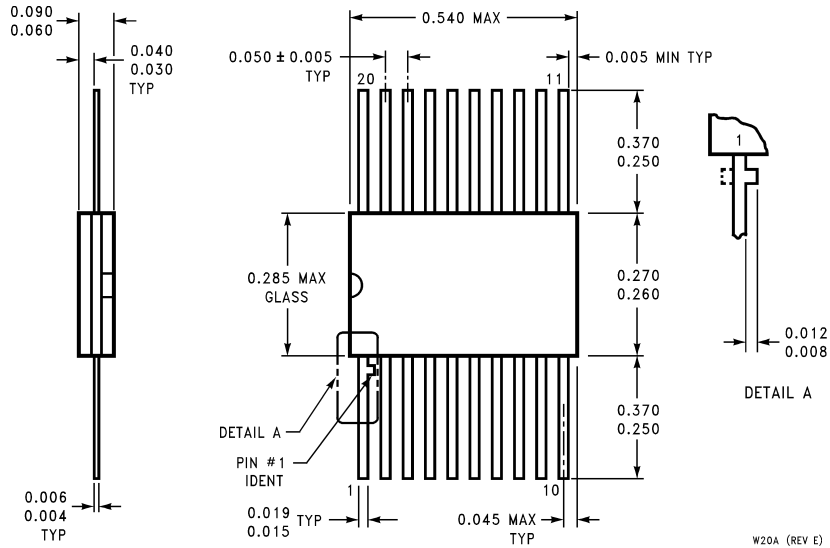
**20 Terminal Ceramic Leadless Chip Carrier (L)  
NS Package Number E20A**



J20A (REV M)

**20-Lead Ceramic Dual-In-Line Package (D)  
NS Package Number J20A**

**Physical Dimensions** inches (millimeters) unless otherwise noted (Continued)



**20-Lead Ceramic Flatpak (F)  
NS Package Number W20A**

**LIFE SUPPORT POLICY**

NATIONAL'S PRODUCTS ARE NOT AUTHORIZED FOR USE AS CRITICAL COMPONENTS IN LIFE SUPPORT DEVICES OR SYSTEMS WITHOUT THE EXPRESS WRITTEN APPROVAL OF THE PRESIDENT OF NATIONAL SEMICONDUCTOR CORPORATION. As used herein:

1. Life support devices or systems are devices or systems which, (a) are intended for surgical implant into the body, or (b) support or sustain life, and whose failure to perform when properly used in accordance with instructions for use provided in the labeling, can be reasonably expected to result in a significant injury to the user.
2. A critical component in any component of a life support device or system whose failure to perform can be reasonably expected to cause the failure of the life support device or system, or to affect its safety or effectiveness.



**National Semiconductor Corporation**  
Americas  
Tel: 1-800-272-9959  
Fax: 1-800-737-7018  
Email: support@nsc.com

**National Semiconductor Europe**  
Fax: +49 (0) 1 80-530 85 86  
Email: europe.support@nsc.com  
Deutsch Tel: +49 (0) 1 80-530 85 85  
English Tel: +49 (0) 1 80-532 78 32  
Français Tel: +49 (0) 1 80-532 93 58  
Italiano Tel: +49 (0) 1 80-534 16 80

**National Semiconductor Asia Pacific Customer Response Group**  
Tel: 65-2544466  
Fax: 65-2504466  
Email: sea.support@nsc.com

**National Semiconductor Japan Ltd.**  
Tel: 81-3-5620-6175  
Fax: 81-3-5620-6179

www.national.com