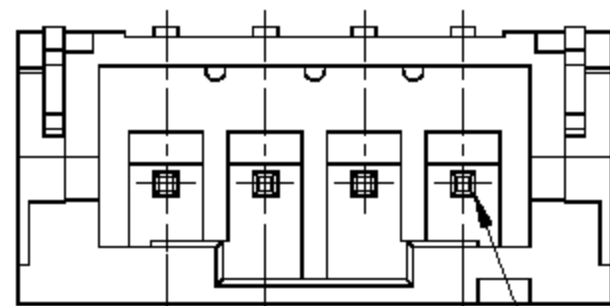
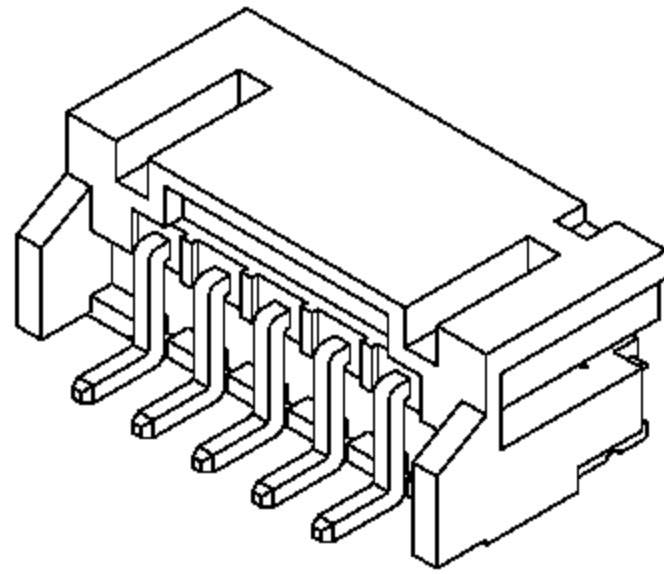
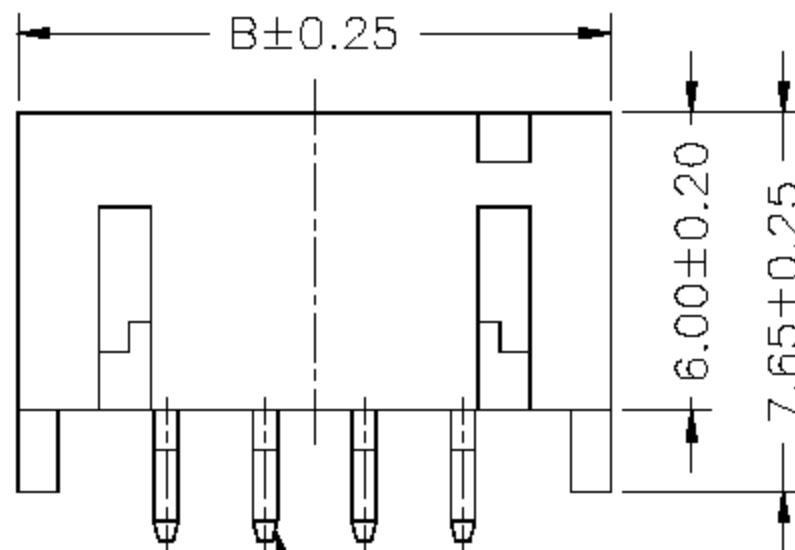


CUSTOMER COPY



2.00±0.10
A±0.20
Circuit 1



PIN 0.50 SQ

ORDER INFORMATION

1212 4 4 1 XX X

Plating:
1: Tin

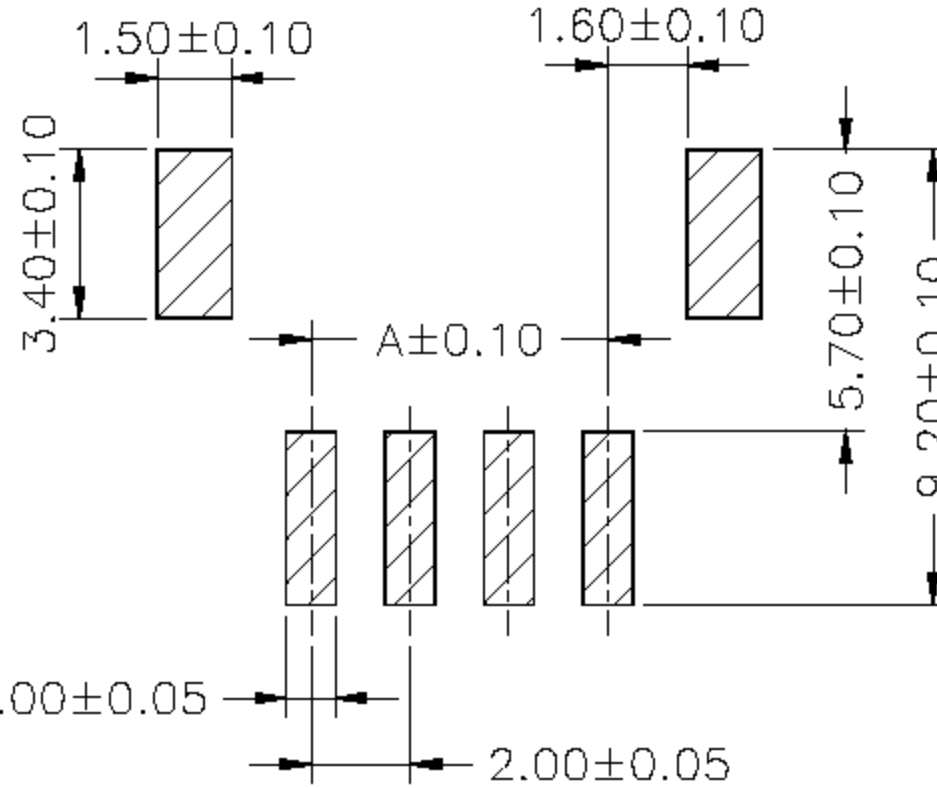
No. Of Contact

1: W/O Kink/White

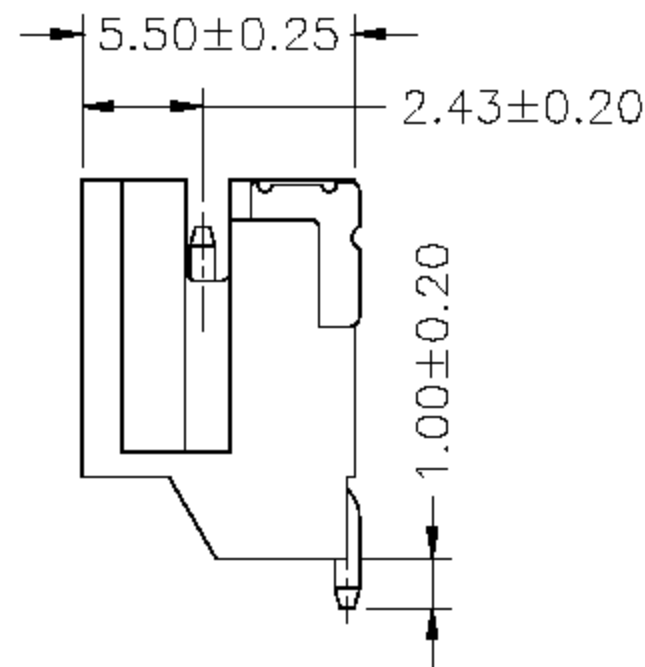
Style

4: Smt 90° / Pb-free

Type



PCB LAYOUT



REV	ECN NO.	APP.	DATE
A	NEW DESIGN		

SPECIFICATIONS

Current Rating: 1A AC,DC

Voltage Rating: 100V AC,DC

Temperature Range: -25°C ~ +85°C

Contact Resistance: 20mΩ Max.

Insulation Resistance: 1000MΩ Min.

Withstanding Voltage: 800V AC/minute

Pin Material: Brass/Tin-plated

Solder Tabs: Brass/Tin-plated

Material: Nylon 6T,UL94V-0

Ordering Information & Dimensions

PART NO.	Dimensions	
	A	B
2P	2.00	8.00
3P	4.00	10.00
4P	6.00	12.00
5P	8.00	14.00
6P	10.00	16.00
7P	12.00	18.00
8P	14.00	20.00
9P	16.00	22.00
10P	18.00	24.00
11P	20.00	26.00
12P	22.00	28.00
13P	24.00	30.00
14P	26.00	32.00
15P	28.00	34.00
16P	30.00	36.00



ACMELUX CO., LTD.

TEL:886-85124595

FAX:886-85124322

0.0±	SCALE:	TITLE:	PART NO:
0.00±	UNIT: MM	2.00mm PITCH	APP BY: HUNG
0.000±		90° WAFER-SMT TYPE	CHK BY: CHERYL
		MATL:	DR BY: ADER
		DWG. NO. C1212441XXX	A122