

92008

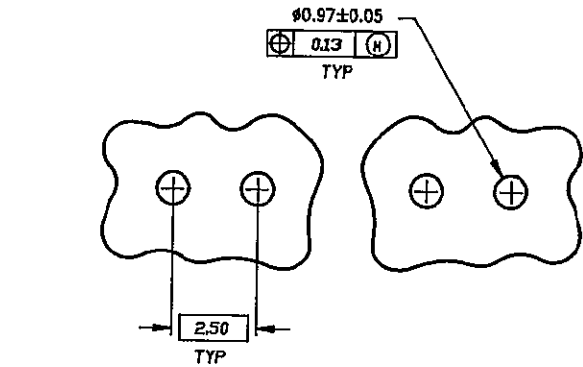
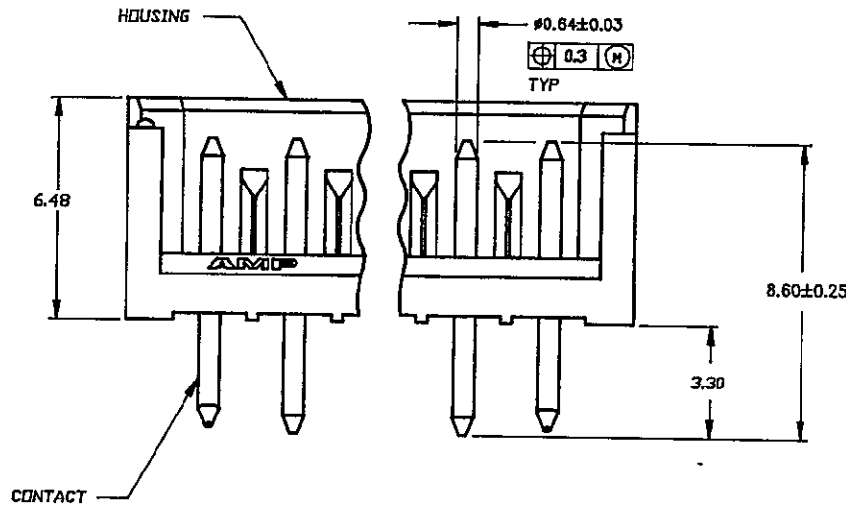
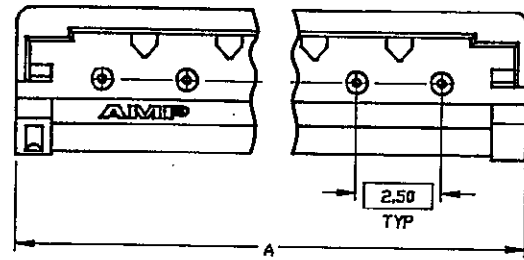
NUMBER



METRIC

DIMENSIONS IN MM, DO NOT SCALE PRINT

PRINT DIST



RECOMMENDED MOUNTING HOLE PATTERN FOR 1.57 THICK PRINTED CIRCUIT BOARD

NOTES:

- ① MATERIAL: HEADER: NYLON UL94V-0 (WHITE)
POST: BRASS, TIN LEAD OVER COPPER OR GOLD OVER NICKEL
- 2. POST COMPLY WITH AMP SOLDERABILITY SPEC 109-11-2.
- ③ RETENTION DETAIL LOCATED ON END CIRCUITS ONLY.
- ④ (2) CIRCUIT HEADER TO BE AS SHOWN IN FIGURE 1.

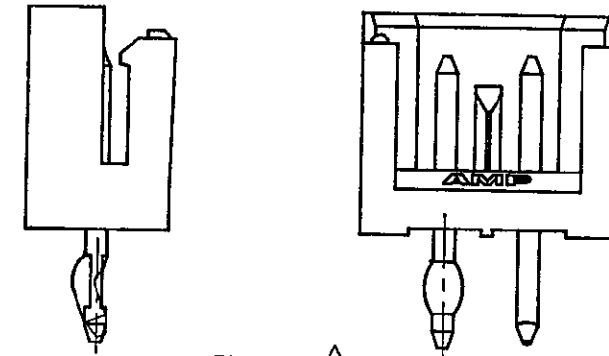


FIG. 1

37.5	14	3-92008-4	1-92008-4
35	13	3-92008-3	1-92008-3
32.5	12	3-92008-2	1-92008-2
30	11	3-92008-1	1-92008-1
27.5	10	3-92008-0	1-92008-0
25	9	2-92008-9	92008-9
22.5	8	2-92008-8	92008-8
20	7	2-92008-7	92008-7
17.5	6	2-92008-6	92008-6
15	5	2-92008-5	92008-5
12.5	4	2-92008-4	92008-4
10	3	2-92008-3	92008-3
7.5	2	2-92008-2	92008-2
A	NO OF CIRCUITS	PART NO	PART NO

E	REVISED FB00-0073-98	SY	ML	20/7/98
D	REVISED FP00-0268-97	LWY	LFK	18/3/97
C	REVISED DY/EC/0745	RT	VJS	23/7/95
B	DY/EC/0678	RT	ML	24/2/93
A	DY/EC/0648	RT	ML	24/2/93
D	PRELIMINARY RELEASE TO AMP FROM KONG	SA	ML	7/1/92
LTR	(REVISION RECORD)	DR	CHK	DATE

<p>AMP AMP SHANGHAI LTD</p>		<p>PRODUCT SPEC: 108-51007</p>	
		<p>(MATERIAL):</p>	
<p>INSULATION DIA: -</p>		<p>(FINISH):</p>	
<p>DO NOT SCALE PRINT, UNLESS SPECIFIED DIMENSIONS IN MM TOLERANCES IN:</p>		<p>SIZE: A3</p>	<p>LOC: ES</p>
<p>DR. 7/1/92 SARIATI</p>		<p>REL. EDWIN CHAM</p>	
<p>CHK. 7/1/92 MAGGIE</p>		<p>APP. P de JONG</p>	
<p>(SCALE): 5:1</p>		<p>REV. E</p>	<p>SHEET 1 OF 1</p>

(CUSTOMER DRAWING)