

BZQ5221B SERIES

SURFACE MOUNT ZENER DIODES

VOLTAGE 2.4 to 75 Volts

POWER 500 mWatts

QUADRO-MELF

Unit : inch (mm)

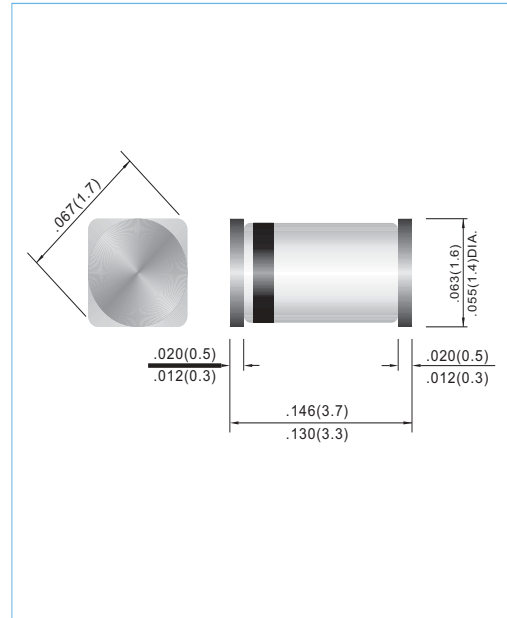
FEATURES

- Planar Die construction
- 500mW Power Dissipation
- Ideally Suited for Automated Assembly Processes
- In compliance with EU RoHS 2002/95/EC directives

MECHANICAL DATA

- Case: Molded Glass QUADRO-MELF
- Terminals: Solderable per MIL-STD-750, Method 2026
- Polarity: See Diagram Below
- Approx. Weight: 0.03 grams
- Mounting Position: Any
- Packing information

T/R - 2.5K per 7" plastic Reel



MAXIMUM RATINGS AND ELECTRICAL CHARACTERISTICS

Parameter	Symbol	Value	Units
Power Dissipation at Tamb = 25 °C	P _{TOT}	500	mW
Junction Temperature	T _J	175	°C
Storage Temperature Range	T _s	-65 to +175	°C

Valid provided that leads at a distance of 10mm from case are kept at ambient temperature.

Parameter	Symbol	Min.	Typ.	Max.	Units
Thermal Resistance Junction to Ambient Air	R _{θJA}	--	--	0.3	K/mW
Forward Voltage at I _F = 200mA	V _F	--	--	1.1	V

Valid provided that leads at a distance of 10mm from case are kept at ambient temperature.

BZQ5221B SERIES

Part Number	Nominal Zener Voltage			Max. Zener Impedance				Max Reverse Leakage Current	
	V _Z @ I _{ZT}			Z _{ZT} @ I _{ZT}		Z _{ZK} @ I _{ZK}		I _R @ V _R	
	Nom. V	Min. V	Max. V	Ω	mA	Ω	mA	uA	V
BZQ5221B	2.4	2.28	2.52	30	20	1200	0.25	100	1
BZQ5222B	2.5	2.38	2.63	30	20	1250	0.25	100	1
BZQ5223B	2.7	2.57	2.84	30	20	1300	0.25	75	1
BZQ5224B	2.8	2.66	2.94	30	20	1400	0.25	75	1
BZQ5225B	3	2.85	3.15	29	20	1600	0.25	50	1
BZQ5226B	3.3	3.14	3.47	28	20	1600	0.25	25	1
BZQ5227B	3.6	3.42	3.78	24	20	1700	0.25	15	1
BZQ5228B	3.9	3.71	4.1	23	20	1900	0.25	10	1
BZQ5229B	4.3	4.09	4.52	22	20	2000	0.25	5	1
BZQ5230B	4.7	4.47	4.94	19	20	1900	0.25	5	2
BZQ5231B	5.1	4.85	5.36	17	20	1600	0.25	5	2
BZQ5232B	5.6	5.32	5.88	11	20	1600	0.25	5	3
BZQ5233B	6	5.7	6.3	7	20	1600	0.25	5	4
BZQ5234B	6.2	5.89	6.51	7	20	1000	0.25	5	4
BZQ5235B	6.8	6.46	7.14	5	20	750	0.25	3	5
BZQ5236B	7.5	7.13	7.88	6	20	500	0.25	3	6
BZQ5237B	8.2	7.79	8.61	8	20	500	0.25	3	6.5
BZQ5238B	8.7	8.27	9.14	8	20	600	0.25	3	6.5
BZQ5239B	9.1	8.65	9.56	10	20	600	0.25	3	7
BZQ5240B	10	9.5	10.5	17	20	600	0.25	3	8
BZQ5241B	11	10.45	11.55	22	20	600	0.25	2	8.4
BZQ5242B	12	11.4	12.6	30	20	600	0.25	1	9.1
BZQ5243B	13	12.35	13.65	13	9.5	600	0.25	0.5	9.9
BZQ5244B	14	13.3	14.7	15	9	600	0.25	0.1	10
BZQ5245B	15	14.25	15.75	16	8.5	600	0.25	0.1	11
BZQ5246B	16	15.2	16.8	17	7.8	600	0.25	0.1	12
BZQ5247B	17	16.15	17.85	19	7.4	600	0.25	0.1	13
BZQ5248B	18	17.1	18.9	21	7	600	0.25	0.1	14
BZQ5249B	19	18.05	19.95	23	6.6	600	0.25	0.1	14
BZQ5250B	20	19	21	25	6.2	600	0.25	0.1	15
BZQ5251B	22	20.9	23.1	29	5.6	600	0.25	0.1	17
BZQ5252B	24	22.8	25.2	33	5.2	600	0.25	0.1	18
BZQ5253B	25	23.75	26.25	35	5	600	0.25	0.1	19
BZQ5254B	27	25.65	28.35	41	4.6	600	0.25	0.1	21
BZQ5255B	28	26.6	29.4	44	4.5	600	0.25	0.1	21
BZQ5256B	30	28.5	31.5	49	4.2	600	0.25	0.1	23
BZQ5257B	33	31.35	34.65	58	3.8	700	0.25	0.1	25
BZQ5258B	36	34.2	37.8	70	3.4	700	0.25	0.1	27
BZQ5259B	39	37.05	40.95	80	3.2	800	0.25	0.1	30
BZQ5260B	43	40.85	45.15	93	3	900	0.25	0.1	33
BZQ5261B	47	44.65	49.35	105	2.7	1000	0.25	0.1	36
BZQ5262B	51	48.45	53.55	125	2.5	1100	0.25	0.1	39
BZQ5263B	56	53.2	58.8	150	2.2	1300	0.25	0.1	43
BZQ5264B	60	57	63	170	2.1	1400	0.25	0.1	46
BZQ5265B	62	58.9	65.1	185	2	1400	0.25	0.1	47
BZQ5266B	68	64.6	71.4	230	1.8	1600	0.25	0.1	52
BZQ5267B	75	71.25	78.75	270	1.7	1700	0.25	0.1	56

Notes.

STANDARD VOLTAGE TOLERANCE IS $\pm 5\%$ AND :

SUFFIX "A" FOR $\pm 3\%$

SUFFIX "B" FOR $\pm 5\%$

SUFFIX "C" FOR $\pm 10\%$

SUFFIX "D" FOR $\pm 20\%$

BZQ5221B SERIES

RATING AND CHARACTERISTIC CURVES

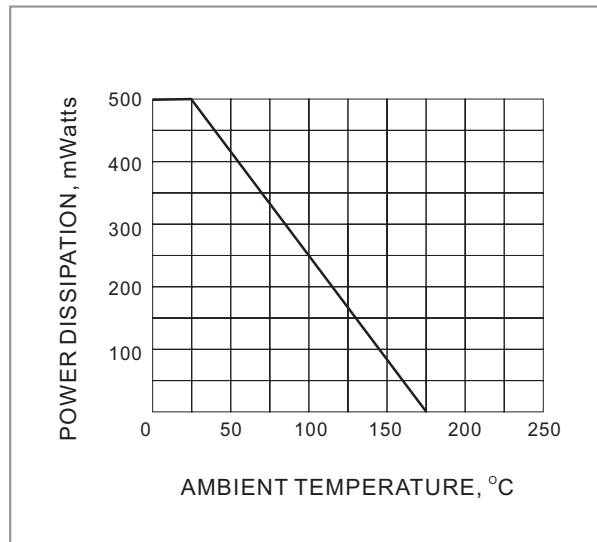


FIG. 1 POWER DERATING CURVE

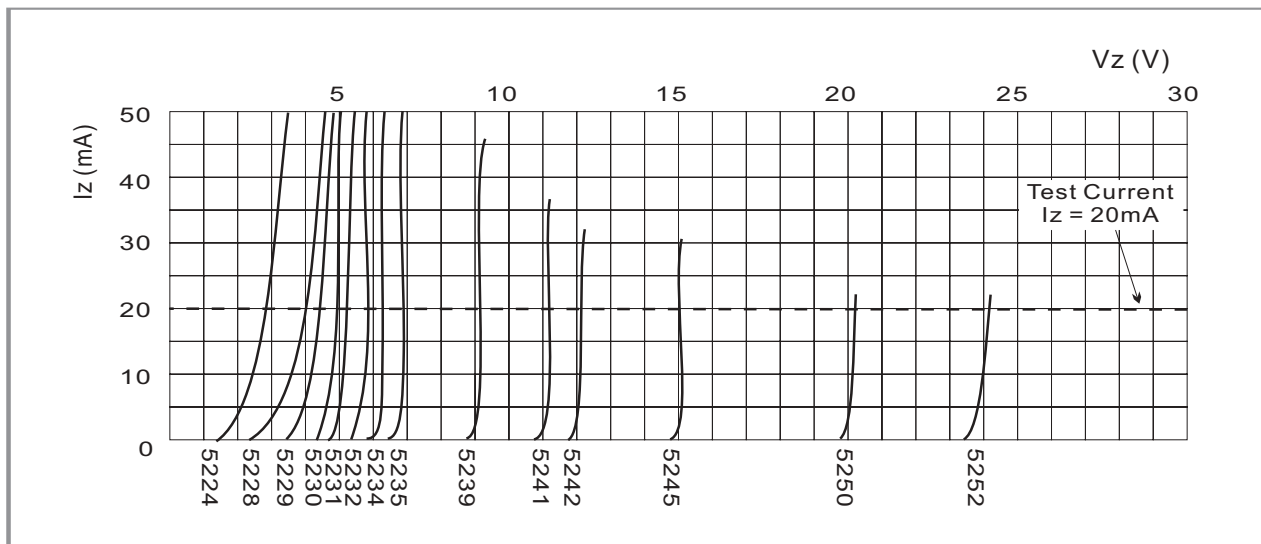
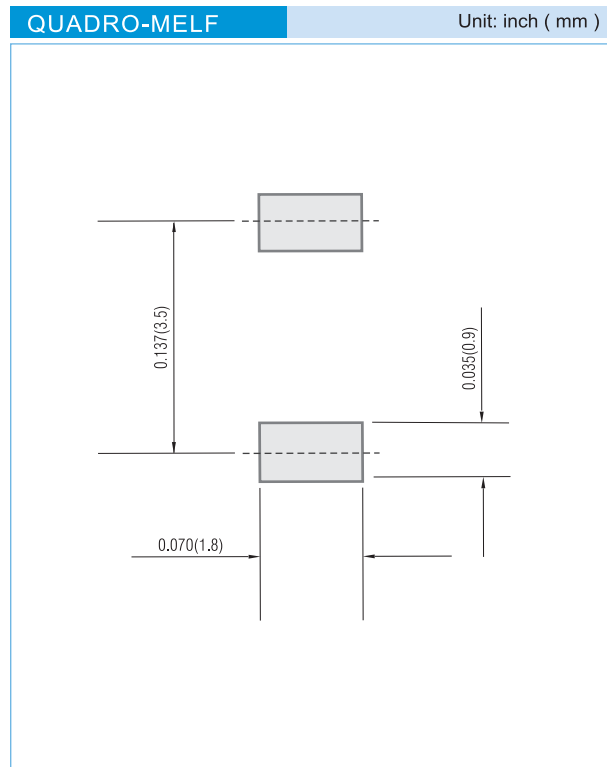


Fig.2 BREAKDOWN CHARACTERISTICS



BZQ5221B SERIES

MOUNTING PAD LAYOUT



ORDER INFORMATION

- Packing information
T/R - 10K per 13" plastic Reel
T/R - 2.5K per 7" plastic Reel

LEGAL STATEMENT

Copyright PanJit International, Inc 2009

The information presented in this document is believed to be accurate and reliable. The specifications and information herein are subject to change without notice. Pan Jit makes no warranty, representation or guarantee regarding the suitability of its products for any particular purpose. Pan Jit products are not authorized for use in life support devices or systems. Pan Jit does not convey any license under its patent rights or rights of others.