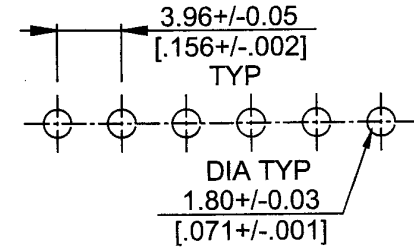
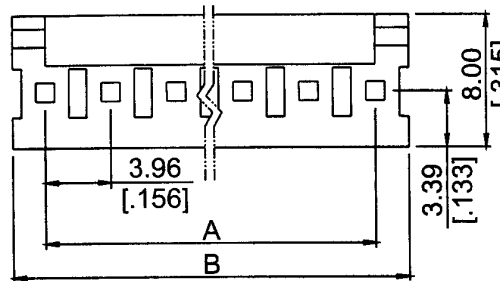


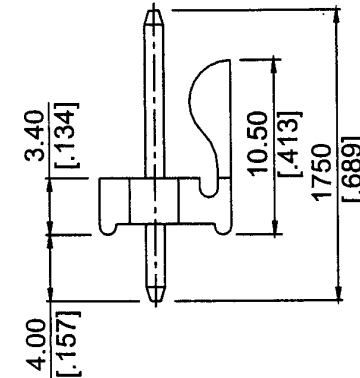
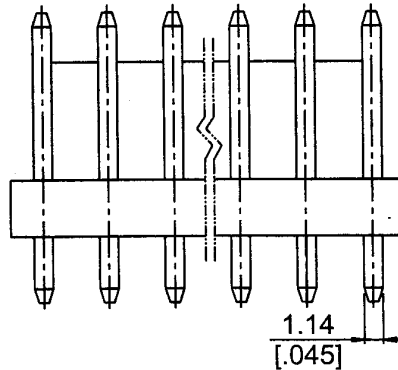
Dimensions in (mm)		
Item	A	B
2	0.156(03.96)	0.312(07.92)
3	0.312(07.92)	0.468(11.88)
4	0.468(11.88)	0.624(15.84)
5	0.624(15.84)	0.780(19.80)
6	0.780(19.80)	0.935(23.76)
7	0.935(23.76)	1.091(27.72)
8	1.091(27.72)	1.247(31.68)
9	1.247(31.68)	1.403(35.64)
10	1.403(35.64)	1.559(39.60)
11	1.559(39.60)	1.715(43.56)
12	1.715(43.56)	1.871(47.52)
13	1.871(47.52)	2.027(51.48)
14	2.027(51.48)	2.183(55.44)
15	2.183(55.44)	2.339(59.40)
16	2.339(59.40)	2.494(63.36)
17	2.494(63.36)	2.650(67.32)
18	2.650(67.32)	2.806(71.28)
19	2.806(71.28)	2.962(75.24)
20	2.962(75.24)	3.118(79.20)
21	3.118(79.20)	3.274(83.16)
22	3.274(83.16)	3.430(87.12)
23	3.430(87.12)	3.586(91.08)
24	3.586(91.08)	3.742(95.04)

SPECIFICATIONS

Current rating: 4 amps AC/DC
Voltage rating: 250VAC/VDC
Contact material: Copper alloy, 1.14mm square pin
Contact plating: Tin or gold flash
Body material: Nylon, UL94V-0



RECOMMENDED PCB LAYOUT



Series	Positions	Mounting	Polarization	Plating
PHD-C	XX	XX	XX	TN
Friction lock pin header	2-24	ST=Straight RA=Right angle	WP=Without polarizing lock PL=With polarizing lock	TN=Tin

RoHS compliant

Rev.	Description	Date	Approved	Drawing	Name	Date
A	PNT	3/20/09	Greg	Approved	Howard	08/10/99
				Checked	Lizzy	08/10/99
				Drawn	Tina	08/10/99
				0.0 ± 0.35	0.00 ± 0.20	Angles ± 3'
				UNIT: mm		

Central Components Manufacturing
440 Lincoln Blvd., Middlesex, New Jersey 08846
Phone 732 469-5720 888 288-5152 Fax 732 469-1919

Part No.: **PHD-C-XX-ST-PL-TN**

Description: Power header, .156" pitch, type C

