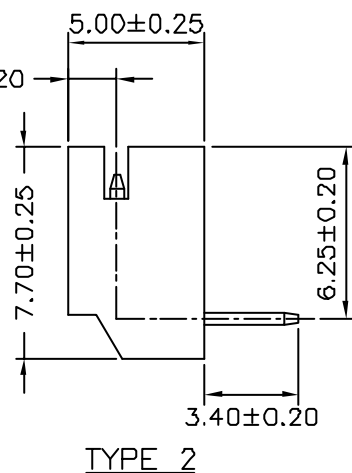
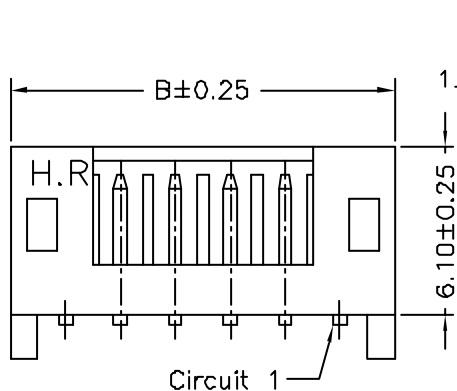
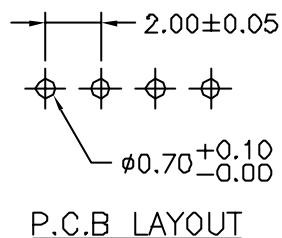
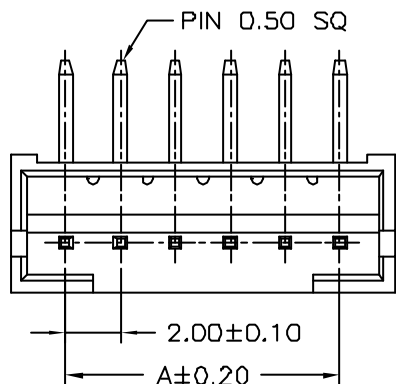


SPECIFICATIONS
 Current Rating: 2A AC,DC
 Voltage Rating: 100V AC,DC
 Temperature Range: -25°C ~ +85°C
 Contact Resistance: 10mΩ Max.
 Insulation Resistance: 1000MΩ Min.
 Withstanding Voltage: 800V AC/minute
 Pin Material: Brass/Tin-plated
 Material: Nylon 66,UL94V-0
 Color: Natural(White)

Ordering Information & Dimensions

PART NO.	Dimensions	
	A	B
A2001WR-02P2	2.00	6.00
A2001WR-03P2	4.00	8.00
A2001WR-04P2	6.00	10.00
A2001WR-05P2	8.00	12.00
A2001WR-06P2	10.00	14.00
A2001WR-07P2	12.00	16.00
A2001WR-08P2	14.00	18.00
A2001WR-09P2	16.00	20.00
A2001WR-10P2	18.00	22.00
A2001WR-11P2	20.00	24.00
A2001WR-12P2	22.00	26.00
A2001WR-13P2	24.00	28.00
A2001WR-14P2	26.00	30.00
A2001WR-15P2	28.00	32.00
A2001WR-16P2	30.00	34.00
A2001WR-17P2	32.00	36.00
A2001WR-18P2	34.00	38.00



				TITLE:	
				2.00mm PITCH 90° WAFER, TYPE 2	
		UNIT	SCALE		
		mm		1 of 1	A2001WR-XP2
		DRAWN BY		APPROVED BY	
		李勤		董正一	
		2006.07.21		2006.07.21	
		GENERAL TOLERANCE			
A1	REVISE	2006.09.02	X.X ±0.25	ANGLE ±	REV. A1
A0	NEW RELEASE	2006.07.21	X.XX ±0.15		
REV.	DESCRIPTION	DATE	X.XXX ±0.05		