

## 12-Bit To 24-Bit Multiplexed D-Type Latch with 3-State Outputs

### Product Features

- PI74ALVCT16260 is designed for low voltage operation
- $V_{CC}=2.3V$  to  $3.6V$
- 5V tolerant inputs and outputs
- Hysteresis on all inputs
- Typical  $V_{OLP}$  (Output Ground Bounce)  $<0.8V$  at  $V_{CC}=3.3V, T_A=25^\circ C$
- Typical  $V_{OHV}$  (Output  $V_{OH}$  Undershoot)  $<2.0V$  at  $V_{CC}=3.3V, T_A=25^\circ C$
- Industrial operation at  $-40^\circ C$  to  $+85^\circ C$
- Packages available:
  - 56-pin 240 mil wide plastic TSSOP (A)
  - 56-pin 300 mil wide plastic SSOP (V)

### Product Description

Pericom Semiconductor's PI74ALVCT series of logic circuits are produced in the Company's advanced 0.5 micron CMOS technology, achieving industry leading speed.

The PI74ALVCT16260 is a 12-bit to 24-bit multiplexed D-type latch designed for 2.3V to 3.6 Vcc operation. It is used in applications where two separate datapaths must be multiplexed onto, or demultiplexed from, a single data path.

Typical applications include multiplexing and/or demulti-plexing address and data information in microprocessor or bus-interface applications. This device is also useful in memory-interleaving applications.

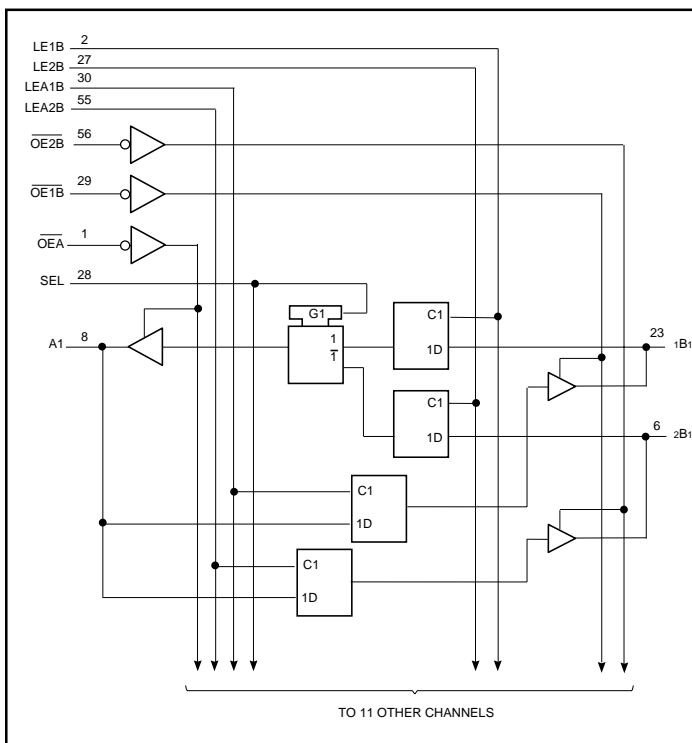
Three 12-bit I/O ports (A1-A12, 1B1-1B12, and 2B1-2B12) are available for address and/or data transfer. The output-enable ( $\overline{OE1B}$ ,  $\overline{OE2B}$ , and  $\overline{OE A}$ ) inputs control the bus transceiver functions. The  $\overline{OE1B}$  and  $\overline{OE2B}$  control signals also allow bank control in the A-to-B direction.

Address and/or data information can be stored using the internal storage latches. The latch-enable (LE1B, LE2B, LEA1B, and LEA2B) inputs are used to control data storage. When the latch-enable input is HIGH, the latch is transparent. When the latch-enable input goes LOW, the data present at the inputs is latched and remains latched until the latch-enable input is returned HIGH.

To ensure the high-impedance state during power up or power down, OE should be tied to Vcc through a pullup resistor, the minimum value of the resistor is determined by the current-sinking capability of the driver.

The ALVCT16260 can be driven from either 3.3V or 5V devices allowing it to be used in mixed 3V/5V systems.

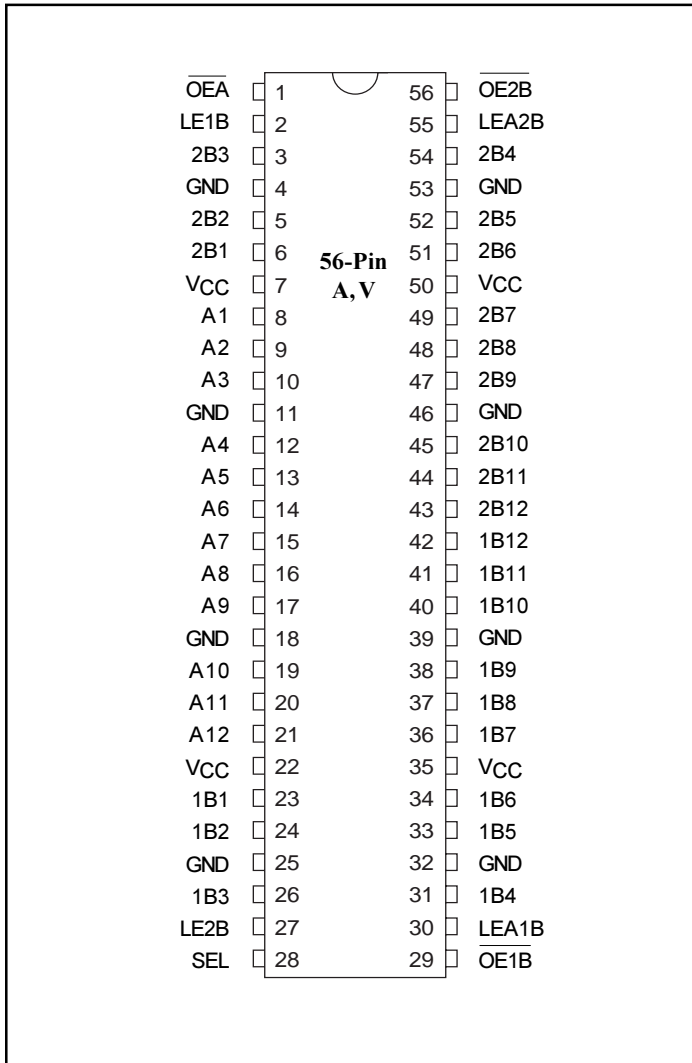
### Logic Block Diagram



**Product Pin Description**

Pin Name	Description
$\overline{OE}$	Output Enable Input (Active LOW)
SEL	Select
LE	Latch Enable
A,1B,2B	Data Inputs
A,1B,2B	3-State Outputs
GND	Ground
Vcc	Power

**Product Pin Configuration**



**Truth Tables<sup>(1)</sup>**

**B to A ( $\overline{OE B} = H$ )**

Inputs						Output A
1B	2B	SEL	LE1B	LE2B	$\overline{OE A}$	
H	X	H	H	X	L	H
L	X	H	H	X	L	L
X	X	H	L	X	L	A0
X	H	L	X	H	L	H
X	L	L	X	H	L	L
X	X	L	X	L	L	A0
X	X	X	X	X	H	Z

**A to B ( $\overline{OE A} = H$ )**

Inputs					Outputs	
A	LEA1B	LEA2B	OE1B	OE2B	1B	2B
H	H	H	L	L	H	H
L	H	H	L	L	L	L
H	H	L	L	L	H	2B0
L	H	L	L	L	L	2B0
H	L	H	L	L	1B0	H
L	L	H	L	L	1B0	L
X	L	L	L	L	1B0	2B0
X	X	X	H	H	Z	Z
X	X	X	L	H	Active	Z
X	X	X	H	L	Z	Active
X	X	X	L	L	Active	Active

**Note:**

- 1. H = High Signal Level
- L = Low Signal Level
- X = Irrelevant
- Z = High Impedance

### Maximum Ratings

(Above which the useful life may be impaired. For user guidelines, not tested.)

Storage Temperature .....	-65°C to +150°C
Ambient Temperature with Power Applied .....	-40°C to +85°C
Input Voltage Range, $V_{IN}$ .....	-0.5V to $V_{CC}+0.5V$
Output Voltage Range, $V_{OUT}$ .....	-0.5V to $V_{CC}+0.5V$
DC Input Voltage .....	-0.5V to +5.0V
DC Output Current .....	100 mA
Power Dissipation .....	1.0W

**Note:**

Stresses greater than those listed under MAXIMUM RATINGS may cause permanent damage to the device. This is a stress rating only and functional operation of the device at these or any other conditions above those indicated in the operational sections of this specification is not implied. Exposure to absolute maximum rating conditions for extended periods may affect reliability.

### DC Electrical Characteristics (Over the Operating Range, $T_A = -40^\circ\text{C}$ to $+85^\circ\text{C}$ , $V_{CC} = 3.3V \pm 10\%$ )

Parameters	Description	Test Conditions <sup>(1)</sup>	Min.	Typ. <sup>(2)</sup>	Max.	Units
$V_{CC}$	Supply Voltage		2.3		3.6	
$V_{IH}^{(3)}$	Input HIGH Voltage	$V_{CC} = 2.3V$ to $2.7V$	1.7		5.5	
		$V_{CC} = 2.7V$ to $3.6V$	2.0		5.5	
$V_{IL}^{(3)}$	Input LOW Voltage	$V_{CC} = 2.3V$ to $2.7V$			0.7	
		$V_{CC} = 2.7V$ to $3.6V$			0.8	
$V_{IN}^{(3)}$	Input Voltage		0		5.5	
$V_{OUT}^{(3)}$	Output Voltage		0		5.5	
$V_{OH}$	Output HIGH Voltage	$I_{OH} = -100\mu\text{A}$ , $V_{CC} = \text{Min. to Max.}$	$V_{CC} - 0.2$			
		$V_{IH} = 1.7V$ , $I_{OH} = -6\text{mA}$ , $V_{CC} = 2.3V$	2.0			
		$V_{IH} = 1.7V$ , $I_{OH} = -12\text{mA}$ , $V_{CC} = 2.3V$	1.7			
		$V_{IH} = 2.0V$ , $I_{OH} = -12\text{mA}$ , $V_{CC} = 2.7V$	2.2			
		$V_{IH} = 2.0V$ , $I_{OH} = -12\text{mA}$ , $V_{CC} = 3.0V$	2.4			
		$V_{IH} = 2.0V$ , $I_{OH} = -24\text{mA}$ , $V_{CC} = 3.0V$	2.0			
$V_{OL}$	Output LOW Voltage	$I_{OL} = 100\mu\text{A}$ , $V_{IL} = \text{Min. to Max.}$			0.2	
		$V_{IL} = 0.7V$ , $I_{OL} = 6\text{mA}$ , $V_{CC} = 2.3V$			0.4	
		$V_{IL} = 0.7V$ , $I_{OL} = 12\text{mA}$ , $V_{CC} = 2.3V$			0.7	
		$V_{IL} = 0.8V$ , $I_{OL} = 12\text{mA}$ , $V_{CC} = 2.7V$			0.4	
		$V_{IL} = 0.8V$ , $I_{OL} = 24\text{mA}$ , $V_{CC} = 3.0V$			0.55	
$I_{OH}^{(3)}$	Output HIGH Current	$V_{CC} = 2.3V$			-12	
		$V_{CC} = 2.7V$			-12	
		$V_{CC} = 3.0V$			-24	
$I_{OL}^{(3)}$	Output LOW Current	$V_{CC} = 2.3V$			12	
		$V_{CC} = 2.7V$			12	
		$V_{CC} = 3.0V$			24	

**DC Electrical Characteristics-Continued** (Over the Operating Range,  $T_A = -40^\circ\text{C}$  to  $+85^\circ\text{C}$ ,  $V_{CC} = 3.3\text{V} \pm 10\%$ )

Parameters	Description	Test Conditions <sup>(1)</sup>	Min.	Typ. <sup>(2)</sup>	Max.	Units
$I_{IN}$	Input Current	$V_{IN} = V_{CC}$ or GND, $V_{CC} = 3.6\text{V}$			5	$\mu\text{A}$
$I_{OZ}$	Output Current (3-STATE Outputs)	$V_{OUT} = 5.5\text{V}$ or GND			$\pm 10$	
$I_{CC}$	Supply Current	$V_{CC} = 3.6\text{V}$ , $I_{OUT} = 0\mu\text{A}$ , $V_{IN} = \text{GND}$ or $V_{CC}$			40	
$\Delta I_{CC}$	Supply Current per Input @ TTL HIGH	$V_{CC} = 3.0\text{V}$ to $3.6\text{V}$ One Input at $V_{CC} - 0.6\text{V}$ Other Inputs at $V_{CC}$ or GND			750	
$C_I$	Control Inputs	$V_{IN} = V_{CC}$ or GND, $V_{CC} = 3.3\text{V}$		3.5		pF
$C_{IO}$	Outputs	$V_O = V_{CC}$ or GND, $V_{CC} = 3.3\text{V}$		9		

**Notes:**

1. For conditions shown as Max. or Min., use appropriate value specified under Electrical Characteristics for the applicable device type.
2. Typical values are at  $V_{CC} = 3.3\text{V}$ ,  $+25^\circ\text{C}$  ambient and maximum loading.
3. Unused Control Inputs must be held HIGH or LOW to prevent them from floating.

**Timing Requirements over Operating Range**

Parameters	Description	$V_{CC} = 2.5\text{V} \pm 0.2\text{V}$		$V_{CC} = 2.7\text{V}$		$V_{CC} = 3.3\text{V} \pm 0.3\text{V}$		Units
		Min.	Max.	Min.	Max.	Min.	Max.	
$t_w$	Pulse duration, LE1B, LE2B, LEA1B, or LEA2B HIGH	3.3		3.3		3.3		ns
$t_{SU}$	Setup time data before LE1B, LE2B, LEA1B, or LEA2B	1.4		1.1		1.1		
$t_H$	Hold time data after LE1B, LE2B, LEA1B, or LEA2B	1.6		1.9		1.5		
$\Delta t/\Delta v^{(1)}$	Input Transition Rise or Fall	0	10	0	10	0	10	ns/v

**Note:**

1. Unused control inputs must be held HIGH or LOW to prevent them from floating.



**Switching Characteristics Over Operating Range<sup>(1)</sup>**

Parameters	From (INPUT)	To (OUTPUT)	V <sub>CC</sub> = 2.5V ± 0.2V		V <sub>CC</sub> = 2.7V		V <sub>CC</sub> = 3.3V ± 0.3V		Units
			Min. <sup>(2)</sup>	Max.	Min. <sup>(2)</sup>	Max.	Min. <sup>(2)</sup>	Max.	
t <sub>PD</sub>	A or B	B or A	1.2	6.0		5.1	1.2	4.9	ns
	LE	A or B	1.0	6.2		5.2	1.0	5.0	
	SEL	A	1.2	7.5		6.6	1.1	5.6	
t <sub>EN</sub>	OE	A or B	1.0	7.2		6.4	1.0	5.4	
t <sub>DIS</sub>	OE		1.7	5.9		5.0	1.3	4.6	

**Notes:**

1. See test circuit and wave forms.
2. Minimum limits are guaranteed but not tested on Propagation Delays.

**Operating Characteristics, T<sub>A</sub> = 25°C**

Parameter		Test Conditions	V <sub>CC</sub> = 2.5V ± 0.2V	V <sub>CC</sub> = 3.3V ± 0.3V	Units
			Typical		
C <sub>PD</sub> Power Dissipation Capacitance	Outputs Enabled	C <sub>L</sub> = 50pF, f = 10 MHz	87	120	pF
	Outputs Disabled		80.5	118	