



# 16-Bit DIGITAL-TO-ANALOG CONVERTER With Serial Data Interface

## FEATURES:

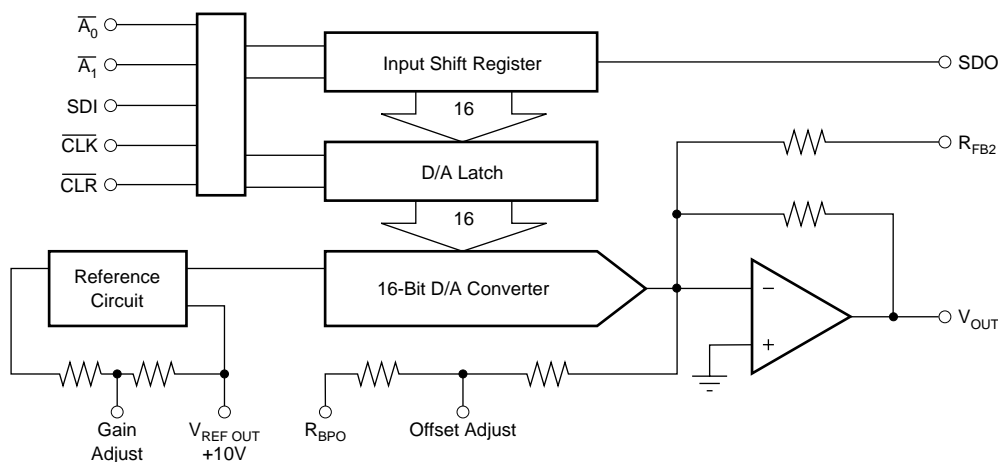
- SERIAL DIGITAL INTERFACE
- VOLTAGE OUTPUT:  $\pm 10V$ ,  $\pm 5V$ , 0 to  $+10V$
- $\pm 1$  LSB INTEGRAL LINEARITY
- 16-BIT MONOTONIC OVER TEMPERATURE
- PRECISION INTERNAL REFERENCE
- LOW NOISE:  $120nV/\sqrt{Hz}$  Including Reference
- 16-LEAD PLASTIC AND CERAMIC SKINNY DIP AND PLASTIC SO PACKAGES

## DESCRIPTION

The DAC714 is a complete monolithic digital-to-analog (D/A) converter including a  $+10V$  temperature compensated reference, current-to-voltage amplifier, a high-speed synchronous serial interface, a serial output which allows cascading multiple converters, and an asynchronous clear function which immediately sets the output voltage to midscale.

The output voltage range is  $\pm 10V$ ,  $\pm 5V$ , or 0 to  $+10V$  while operating from  $\pm 12V$  or  $\pm 15V$  supplies. The gain and bipolar offset adjustments are designed so that they can be set via external potentiometers or external D/A converters. The output amplifier is protected against short circuit to ground.

The 16-pin DAC714 is available in a plastic 0.3" DIP, ceramic 0.3" CERDIP, and wide-body plastic SO package. The DAC714P, U, HB, and HC are specified over the  $-40^{\circ}C$  to  $+85^{\circ}C$  temperature range while the DAC714HL is specified over the  $0^{\circ}C$  to  $+70^{\circ}C$  range.



Please be aware that an important notice concerning availability, standard warranty, and use in critical applications of Texas Instruments semiconductor products and disclaimers thereto appears at the end of this data sheet.

All trademarks are the property of their respective owners.

## ABSOLUTE MAXIMUM RATINGS<sup>(1)</sup>

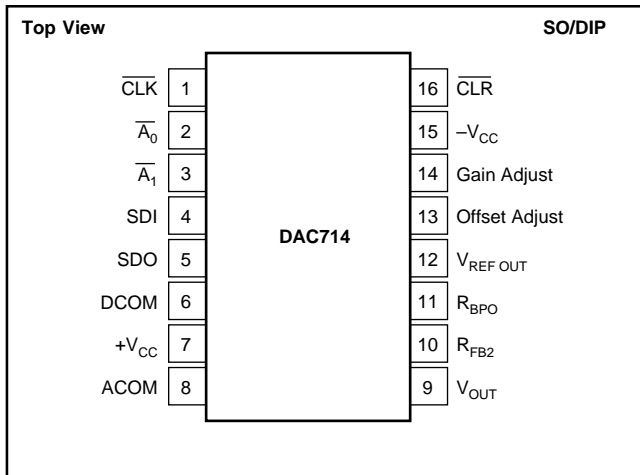
|   |                                 |
|---|---------------------------------|
| +V <sub>CC</sub> to Common .....                          | 0V to +17V                      |
| -V <sub>CC</sub> to Common .....                          | 0V to -17V                      |
| +V <sub>CC</sub> to -V <sub>CC</sub> .....                | 34V                             |
| ACOM to DCOM .....  | ±0.5V                           |
| Digital Inputs to Common .....                            | -1V to (V <sub>CC</sub> - 0.7V) |
| External Voltage Applied to BPO and Range Resistors ..... | ±V <sub>CC</sub>                |
| V <sub>REF OUT</sub> .....                                | Indefinite Short to Common      |
| V <sub>OUT</sub> .....                                    | Indefinite Short to Common      |
| SDO .....   | Indefinite Short to Common      |
| Power Dissipation .....                                   | 750mW                           |
| Storage Temperature .....                                 | -60°C to +150°C                 |
| Lead Temperature (soldering, 10s) .....                   | +300°C                          |

NOTE: (1) Stresses above those listed under *Absolute Maximum Ratings* may cause permanent damage to the device. Exposure to absolute maximum conditions for extended periods may affect device reliability.

## PACKAGE/ORDERING INFORMATION

For the most current package and ordering information, see the Package Option Addendum at the end of this document, or see the TI website at [www.ti.com](http://www.ti.com).

## PIN CONFIGURATION



## ELECTROSTATIC DISCHARGE SENSITIVITY

This integrated circuit can be damaged by ESD. Texas Instruments recommends that all integrated circuits be handled with appropriate precautions. Failure to observe proper handling and installation procedures can cause damage.

ESD damage can range from subtle performance degradation to complete device failure. Precision integrated circuits may be more susceptible to damage because very small parametric changes could cause the device not to meet its published specifications.

## PIN DESCRIPTIONS

| PIN | LABEL                | DESCRIPTION                            |
|-----|----------------------|--|
| 1   | CLK                  | Serial Data Clock                      |
| 2   | $\overline{A_0}$     | Enable for Input Register (Active Low) |
| 3   | $\overline{A_1}$     | Enable for D/A Latch (Active Low)      |
| 4   | SDI                  | Serial Data Input                      |
| 5   | SDO                  | Serial Data Output                     |
| 6   | DCOM                 | Digital Ground                         |
| 7   | +V <sub>CC</sub>     | Positive Power Supply                  |
| 8   | ACOM                 | Analog Ground                          |
| 9   | V <sub>OUT</sub>     | D/A Output                             |
| 10  | R <sub>FB2</sub>     | ±10V Range Feedback Output             |
| 11  | R <sub>BPO</sub>     | Bipolar Offset                         |
| 12  | V <sub>REF OUT</sub> | Voltage Reference Output               |
| 13  | Offset Adjust        | Offset Adjust                          |
| 14  | Gain Adjust          | Gain Adjust                            |
| 15  | -V <sub>CC</sub>     | Negative Power Supply                  |
| 16  | CLR                  | Clear                                  |

# ELECTRICAL CHARACTERISTICS

At  $T_A = +25^\circ\text{C}$ ,  $+V_{CC} = +12\text{V}$  and  $+15\text{V}$ ,  $-V_{CC} = -12\text{V}$ , and  $-15\text{V}$ , unless otherwise noted.

| PARAMETER  | DAC714P, U |            |                    | DAC714HB |            |                    | DAC714HC |            |                    | DAC714HL |            |                    | UNITS                        |
|--|------------|------------|--------------------|----------|------------|--------------------|----------|------------|--------------------|----------|------------|--------------------|------------------------------|
|  | MIN        | TYP        | MAX                | MIN      | TYP        | MAX                | MIN      | TYP        | MAX                | MIN      | TYP        | MAX                |                              |
| <b>TRANSFER CHARACTERISTICS</b>  |            |            |                    |          |            |                    |          |            |                    |          |            |                    |                              |
| <b>ACCURACY</b>  |            |            |                    |          |            |                    |          |            |                    |          |            |                    |                              |
| Linearity Error  |            |            | $\pm 4$            |          |            | $\pm 2$            |          |            | $\pm 1$            |          |            | $\pm 1$            | LSB                          |
| $T_{\text{MIN}}$ to $T_{\text{MAX}}$   |            |            | $\pm 8$            |          |            | $\pm 4$            |          |            | $\pm 2$            |          |            | $\pm 2$            | LSB                          |
| Differential Linearity Error   |            |            | $\pm 4$            |          |            | $\pm 2$            |          |            | $\pm 1$            |          |            | $\pm 1$            | LSB                          |
| $T_{\text{MIN}}$ to $T_{\text{MAX}}$   |            |            | $\pm 8$            |          |            | $\pm 4$            |          |            | $\pm 2$            |          |            | $\pm 1$            | LSB                          |
| Monotonicity   | 14         |            |                    | 15       |            |                    | 16       |            |                    | 16       |            |                    | Bits                         |
| Monotonicity Over Spec Temp Range  | 13         |            |                    | 14       |            |                    | 15       |            |                    | 16       |            |                    | Bits                         |
| Gain Error <sup>(3)</sup>  |            |            | $\pm 0.1$          |          |            | $\pm 0.1$          |          |            | $\pm 0.1$          |          |            | $\pm 0.1$          | %                            |
| $T_{\text{MIN}}$ to $T_{\text{MAX}}$   |            |            | $\pm 0.25$         |          |            | $\pm 0.25$         |          |            | $\pm 0.25$         |          |            | $\pm 0.25$         | %                            |
| Unipolar/Bipolar Zero Error <sup>(3)</sup>   |            |            | $\pm 0.1$          |          |            | $\pm 0.1$          |          |            | $\pm 0.1$          |          |            | $\pm 0.1$          | % of FSR <sup>(2)</sup>      |
| $T_{\text{MIN}}$ to $T_{\text{MAX}}$   |            |            | $\pm 0.2$          |          |            | $\pm 0.2$          |          |            | $\pm 0.2$          |          |            | $\pm 0.2$          | % of FSR                     |
| Power Supply Sensitivity of Gain   |            |            | $\pm 0.003$        |          |            | $\pm 0.003$        |          |            | $\pm 0.003$        |          |            | $\pm 0.003$        | %FSR/% $V_{CC}$              |
|  |            |            | $\pm 30$           |          |            | $\pm 30$           |          |            | $\pm 30$           |          |            | $\pm 30$           | ppm FSR/% $V_{CC}$           |
| <b>DYNAMIC PERFORMANCE</b>   |            |            |                    |          |            |                    |          |            |                    |          |            |                    |                              |
| Settling Time<br>(to $\pm 0.003\%$ FSR, $5\text{k}\Omega$    $500\text{pF}$ Load) <sup>(4)</sup> |            |            |                    |          |            |                    |          |            |                    |          |            |                    |                              |
| 20V Output Step  |            | 6          | 10                 |          | 6          | 10                 |          | 6          | 10                 |          | 6          | 10                 | $\mu\text{s}$                |
| 1LSB Output Step <sup>(5)</sup>  |            | 4          |                    |          | 4          |                    |          | 4          |                    |          | 4          |                    | $\mu\text{s}$                |
| Output Slew Rate   |            | 10         |                    |          | 10         |                    |          | 10         |                    |          | 10         |                    | $\text{V}/\mu\text{s}$       |
| Total Harmonic Distortion  |            |            |                    |          |            |                    |          |            |                    |          |            |                    |                              |
| 0dB, 1001Hz, $f_s = 100\text{kHz}$   |            | 0.005      |                    |          | 0.005      |                    |          | 0.005      |                    |          | 0.005      |                    | %                            |
| -20dB, 1001Hz, $f_s = 100\text{kHz}$   |            | 0.03       |                    |          | 0.03       |                    |          | 0.03       |                    |          | 0.03       |                    | %                            |
| -60dB, 1001Hz, $f_s = 100\text{kHz}$   |            | 3.0        |                    |          | 3.0        |                    |          | 3.0        |                    |          | 3.0        |                    | %                            |
| SINAD: 1001Hz, $f_s = 100\text{kHz}$   |            | 87         |                    |          | 87         |                    |          | 87         |                    |          | 87         |                    | dB                           |
| Digital Feedthrough <sup>(5)</sup>   |            | 2          |                    |          | 2          |                    |          | 2          |                    |          | 2          |                    | nV-s                         |
| Digital-to-Analog Glitch Impulse <sup>(5)</sup>  |            | 15         |                    |          | 15         |                    |          | 15         |                    |          | 15         |                    | nV-s                         |
| Output Noise Voltage (includes reference)  |            | 120        |                    |          | 120        |                    |          | 120        |                    |          | 120        |                    | $\text{nV}/\sqrt{\text{Hz}}$ |
| <b>ANALOG OUTPUT</b>   |            |            |                    |          |            |                    |          |            |                    |          |            |                    |                              |
| Output Voltage Range   |            |            |                    |          |            |                    |          |            |                    |          |            |                    | V                            |
| $+V_{CC}$ , $-V_{CC} = \pm 11.4\text{V}$   | $\pm 10$   |            |                    | $\pm 10$ |            |                    | $\pm 10$ |            |                    | $\pm 10$ |            |                    | V                            |
| Output Current   | $\pm 5$    |            |                    | $\pm 5$  |            |                    | $\pm 5$  |            |                    | $\pm 5$  |            |                    | mA                           |
| Output Impedance   |            | 0.1        |                    |          | 0.1        |                    |          | 0.1        |                    |          | 0.1        |                    | $\Omega$                     |
| Short Circuit to ACOM Duration   |            | Indefinite |                    |          | Indefinite |                    |          | Indefinite |                    |          | Indefinite |                    |                              |
| <b>REFERENCE VOLTAGE</b>   |            |            |                    |          |            |                    |          |            |                    |          |            |                    |                              |
| Voltage  | +9.975     | +10.000    | +10.025            | +9.975   | +10.000    | +10.025            | +9.975   | +10.000    | +10.025            | +9.975   | +10.000    | +10.025            | V                            |
| $T_{\text{MIN}}$ to $T_{\text{MAX}}$   | +9.960     |            | +10.040            | +9.960   |            | +10.040            | +9.960   |            | +10.040            | +9.960   |            | +10.040            | V                            |
| Output Resistance  |            | 1          |                    |          | 1          |                    |          | 1          |                    |          | 1          |                    | $\Omega$                     |
| Source Current   | 2          |            |                    | 2        |            |                    | 2        |            |                    | 2        |            |                    | mA                           |
| Short Circuit to ACOM Duration   |            | Indefinite |                    |          | Indefinite |                    |          | Indefinite |                    |          | Indefinite |                    |                              |
| <b>INTERFACE</b>   |            |            |                    |          |            |                    |          |            |                    |          |            |                    |                              |
| <b>RESOLUTION</b>  |            |            |                    |          |            |                    |          |            |                    |          |            |                    |                              |
| DIGITAL INPUTS   |            | 16         |                    |          | 16         |                    |          | 16         |                    |          | 16         |                    | Bits                         |
| Serial Data Input Code   |            |            |                    |          |            |                    |          |            |                    |          |            |                    |                              |
| Logic Levels <sup>(1)</sup>  |            |            |                    |          |            |                    |          |            |                    |          |            |                    |                              |
| $V_{\text{IH}}$  | +2.0       |            | ( $V_{CC} - 1.4$ ) | +2.0     |            | ( $V_{CC} - 1.4$ ) | +2.0     |            | ( $V_{CC} - 1.4$ ) | +2.0     |            | ( $V_{CC} - 1.4$ ) | V                            |
| $V_{\text{IL}}$  | 0          |            | +0.8               | 0        |            | +0.8               | 0        |            | +0.8               | 0        |            | +0.8               | V                            |
| $I_{\text{IH}}$ ( $V_{\text{I}} = +2.7\text{V}$ )  |            |            | $\pm 10$           |          |            | $\pm 10$           |          |            | $\pm 10$           |          |            | $\pm 10$           | $\mu\text{A}$                |
| $I_{\text{IL}}$ ( $V_{\text{I}} = +0.4\text{V}$ )  |            |            | $\pm 10$           |          |            | $\pm 10$           |          |            | $\pm 10$           |          |            | $\pm 10$           | $\mu\text{A}$                |
| <b>DIGITAL OUTPUT</b>  |            |            |                    |          |            |                    |          |            |                    |          |            |                    |                              |
| Serial Data  |            |            |                    |          |            |                    |          |            |                    |          |            |                    |                              |
| $V_{\text{OL}}$ ( $I_{\text{SINK}} = 1.6\text{mA}$ )   | 0          |            | +0.4               | 0        |            | +0.4               | 0        |            | +0.4               | 0        |            | +0.4               | V                            |
| $V_{\text{OH}}$ ( $I_{\text{SOURCE}} = 500\mu\text{A}$ ), $T_{\text{MIN}}$ to $T_{\text{MAX}}$   | +2.4       |            | +5                 | +2.4     |            | +5                 | +2.4     |            | +5                 | +2.4     |            | +5                 | V                            |
| <b>POWER SUPPLY REQUIREMENTS</b>   |            |            |                    |          |            |                    |          |            |                    |          |            |                    |                              |
| Voltage  |            |            |                    |          |            |                    |          |            |                    |          |            |                    |                              |
| $+V_{CC}$  | +11.4      | +15        | +16.5              | +11.4    | +15        | +16.5              | +11.4    | +15        | +16.5              | +11.4    | +15        | +16.5              | V                            |
| $-V_{CC}$  | -11.4      | -15        | -16.5              | -11.4    | -15        | -16.5              | -11.4    | -15        | -16.5              | -11.4    | -15        | -16.5              | V                            |
| Current (No Load, $\pm 15\text{V}$ Supplies) <sup>(6)</sup>                                      |            |            |                    |          |            |                    |          |            |                    |          |            |                    |                              |
| $+V_{CC}$  |            | 13         | 16                 |          | 13         | 16                 |          | 13         | 16                 |          | 13         | 16                 | mA                           |
| $-V_{CC}$  |            | 22         | 26                 |          | 22         | 26                 |          | 22         | 26                 |          | 22         | 26                 | mA                           |
| Power Dissipation <sup>(7)</sup>   |            |            | 625                |          |            | 625                |          |            | 625                |          |            | 625                | mW                           |
| <b>TEMPERATURE RANGES</b>  |            |            |                    |          |            |                    |          |            |                    |          |            |                    |                              |
| Specification  |            |            |                    |          |            |                    |          |            |                    |          |            |                    |                              |
| All Grades   | -40        |            | +85                | -40      |            | +85                | -40      |            | +85                | 0        |            | +70                | $^\circ\text{C}$             |
| Storage  | -60        |            | +150               | -60      |            | +150               | -60      |            | +150               | -60      |            | +150               | $^\circ\text{C}$             |
| Thermal Coefficient, $\theta_{\text{JA}}$  |            | 75         |                    |          | 75         |                    |          | 75         |                    |          | 75         |                    | $^\circ\text{C}/\text{W}$    |

NOTES: (1) Digital inputs are TTL and +5V CMOS compatible over the specification temperature range. (2) FSR means Full Scale Range. For example, for  $\pm 10\text{V}$  output,  $\text{FSR} = 20\text{V}$ . (3) Errors externally adjustable to zero. (4) Maximum represents the  $3\sigma$  limit. Not 100% tested for this parameter. (5) For the worst-case Binary Two's Complement code changes:  $\text{FFFF}_{\text{H}}$  to  $0000_{\text{H}}$  and  $0000_{\text{H}}$  to  $\text{FFFF}_{\text{H}}$ . (6) During power supply turn on, the transient supply current may approach 3x the maximum quiescent specification. (7) Typical (i.e. rated) supply voltages times maximum currents.

## TIMING SPECIFICATIONS

$T_A = -40^\circ\text{C}$  to  $+85^\circ\text{C}$ ,  $+V_{CC} = +12\text{V}$  or  $+15\text{V}$ ,  $-V_{CC} = -12\text{V}$  or  $-15\text{V}$ .

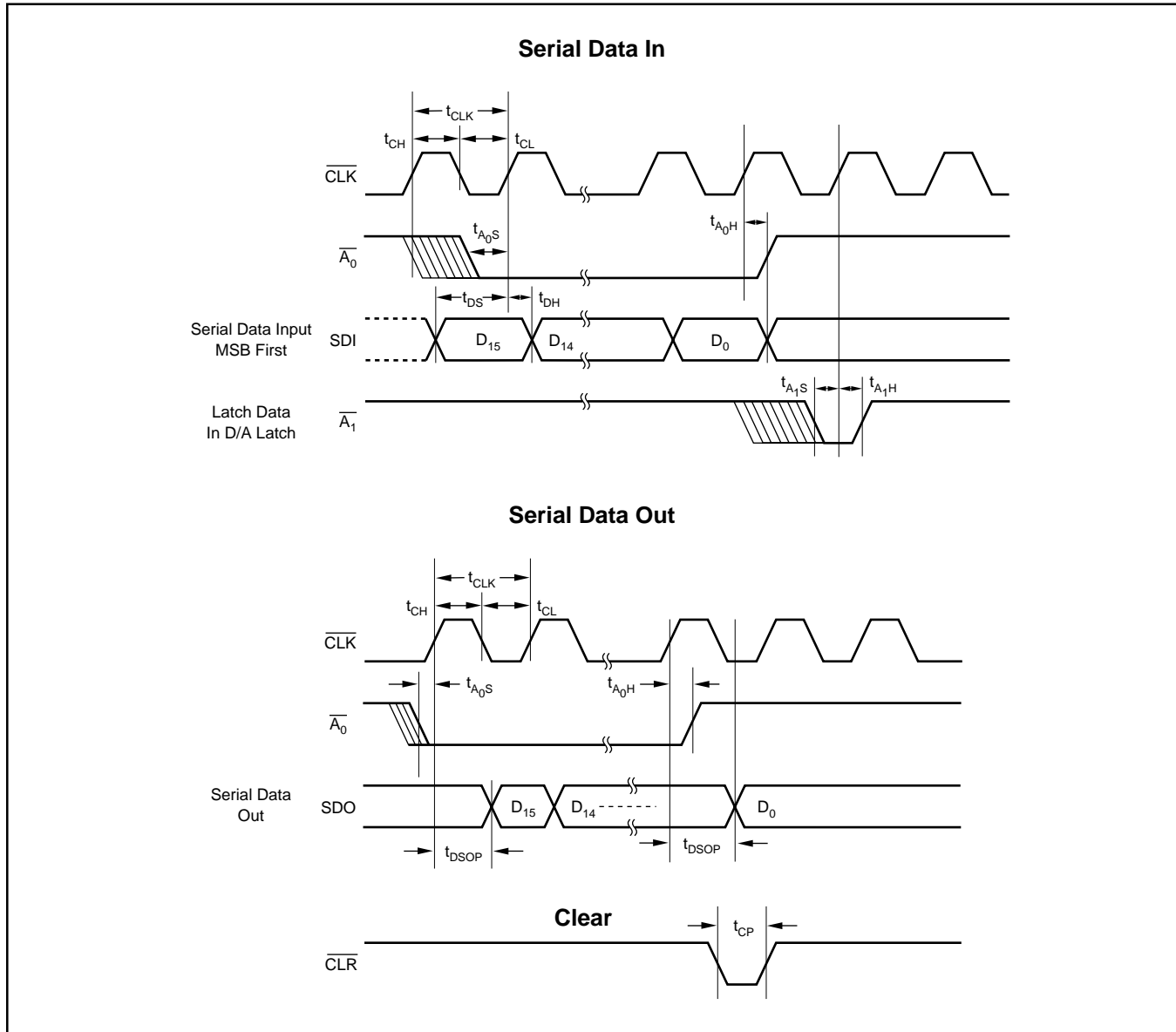
| SYMBOL     | PARAMETER                       | MIN | MAX | UNITS |
|------------|---------------------------------|-----|-----|-------|
| $t_{CLK}$  | Data Clock Period               | 100 |     | ns    |
| $t_{CL}$   | Clock LOW                       | 50  |     | ns    |
| $t_{CH}$   | Clock HIGH                      | 50  |     | ns    |
| $t_{A0S}$  | Setup Time for $\overline{A_0}$ | 50  |     | ns    |
| $t_{A1S}$  | Setup Time for $\overline{A_1}$ | 50  |     | ns    |
| $t_{A0H}$  | Hold Time for $\overline{A_0}$  | 0   |     | ns    |
| $t_{A1H}$  | Hold Time for $\overline{A_1}$  | 0   |     | ns    |
| $t_{DS}$   | Setup Time for DATA             | 50  |     | ns    |
| $t_{DH}$   | Hold Time for DATA              | 10  |     | ns    |
| $t_{DSOP}$ | Output Propagation Delay        |     | 140 | ns    |
| $t_{CP}$   | Clear Pulsewidth                | 200 |     | ns    |

## TRUTH TABLE

| $\overline{A_0}$ | $\overline{A_1}$ | $\overline{CLK}$                | $\overline{CLR}$ | DESCRIPTION                       |
|------------------|------------------|---------------------------------|------------------|-----------------------------------|
| 0                | 1                | $1 \rightarrow 0 \rightarrow 1$ | 1                | Shift Serial Data into SDI        |
| 1                | 0                | $1 \rightarrow 0 \rightarrow 1$ | 1                | Load D/A Latch                    |
| 1                | 1                | $1 \rightarrow 0 \rightarrow 1$ | 1                | No Change                         |
| 0                | 0                | $1 \rightarrow 0 \rightarrow 1$ | 1                | Two Wire Operation <sup>(1)</sup> |
| X                | X                | 1                               | 1                | No Change                         |
| X                | X                | X                               | 0                | Reset D/A Latch                   |

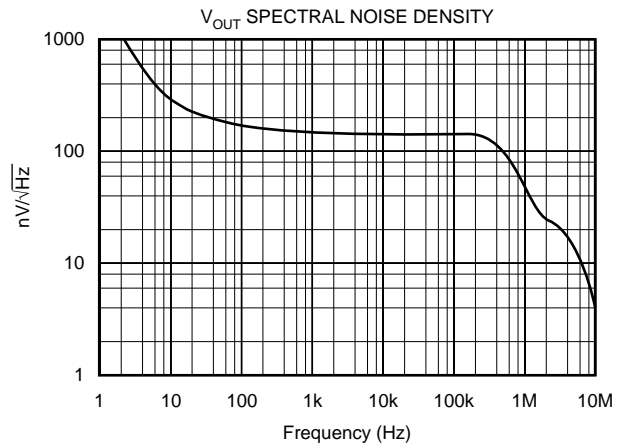
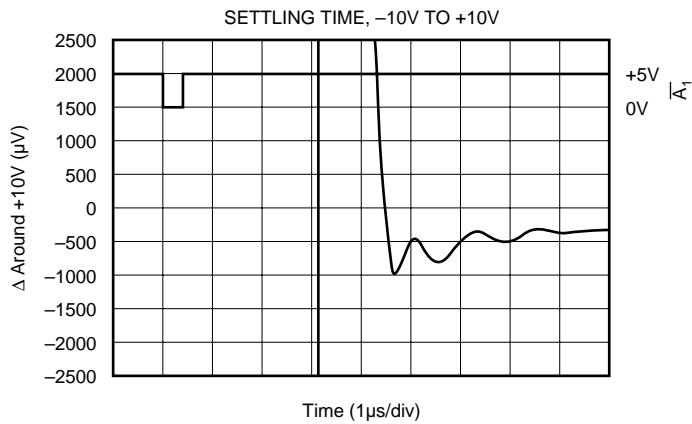
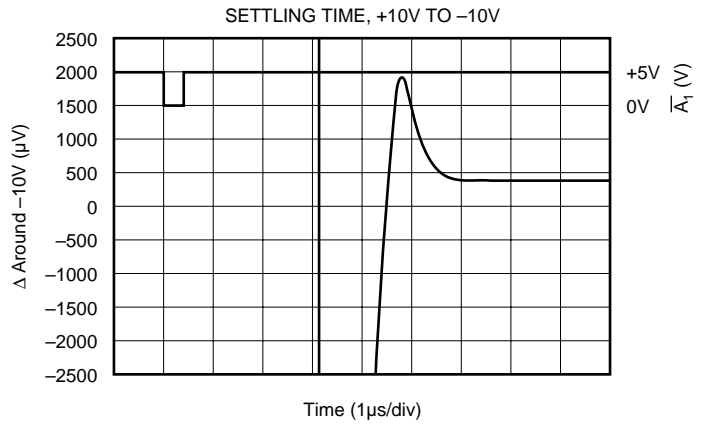
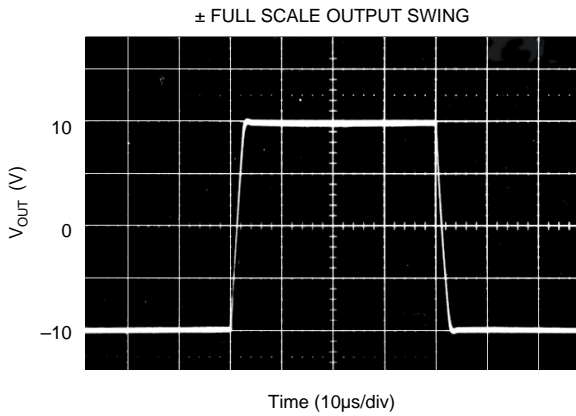
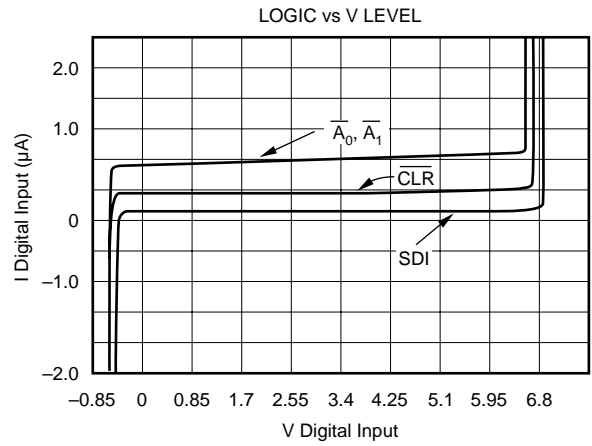
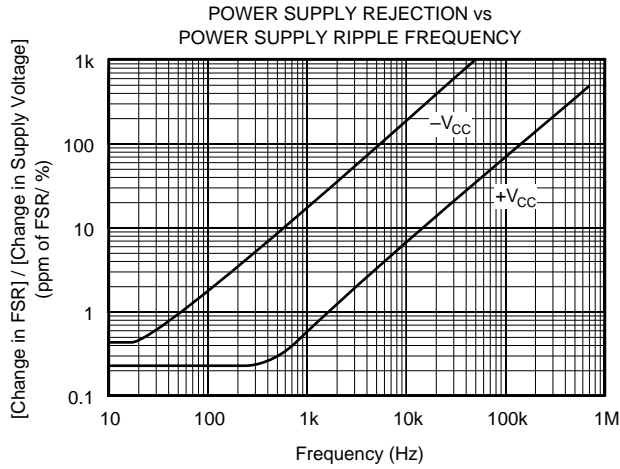
NOTES: X = Don't Care. (1) All digital input changes will appear at the output.

## TIMING DIAGRAMS



# TYPICAL CHARACTERISTICS

At  $T_A = +25^\circ\text{C}$ ,  $V_{CC} = \pm 15\text{V}$ , unless otherwise noted.



# DISCUSSION OF SPECIFICATIONS

## LINEARITY ERROR

Linearity error is defined as the deviation of the analog output from a straight line drawn between the end points of the transfer characteristic.

## DIFFERENTIAL LINEARITY ERROR

Differential linearity error (DLE) is the deviation from 1LSB of an output change from one adjacent state to the next. A DLE specification of  $\pm 1/2\text{LSB}$  means that the output step size can range from  $1/2\text{LSB}$  to  $3/2\text{LSB}$  when the digital input code changes from one code word to the adjacent code word. If the DLE is more positive than  $-1\text{LSB}$ , the D/A is said to be monotonic.

## MONOTONICITY

A D/A converter is monotonic if the output either increases or remains the same for increasing digital input values. Monotonicity of the C and L grades is assured over the specification temperature range to 16 bits.

## SETTLING TIME

Settling time is the total time (including slew time) for the D/A output to settle to within an error band around its final value after a change in input. Settling times are specified to within  $\pm 0.003\%$  of Full Scale Range (FSR) for an output step change of 20V and 1LSB. The 1LSB change is measured at the Major Carry ( $\text{FFFF}_\text{H}$  to  $0000_\text{H}$ , and  $0000_\text{H}$  to  $\text{FFFF}_\text{H}$ ; BTC codes), the input transition at which worst-case settling time occurs.

## TOTAL HARMONIC DISTORTION

Total harmonic distortion is defined as the ratio of the square root of the sum of the squares of the values of the harmonics to the value of the fundamental frequency. It is expressed in % of the fundamental frequency amplitude at sampling rate  $f_s$ .

## SIGNAL-TO-NOISE AND DISTORTION RATIO (SINAD)

SINAD includes all the harmonic and outstanding spurious components in the definition of output noise power in addition to quantizing and internal random noise power. SINAD is expressed in dB at a specified input frequency and sampling rate,  $f_s$ .

## DIGITAL-TO-ANALOG GLITCH IMPULSE

The amount of charge injected into the analog output from the digital inputs when the inputs change state. It is measured at half scale at the input codes where as many as possible switches change state—from  $0000_\text{H}$  to  $\text{FFFF}_\text{H}$ .

## DIGITAL FEEDTHROUGH

When the A/D is not selected, high frequency logic activity on the digital inputs is coupled through the device and shows up as output noise. This noise is digital feedthrough.

## OPERATION

The DAC714 is a monolithic integrated-circuit 16-bit D/A converter complete with 16-bit D/A switches and ladder network, voltage reference, output amplifier and a serial interface.

## INTERFACE LOGIC

The DAC714 has double-buffered data latches. The input data latch holds a 16-bit data word before loading it into the second latch, the D/A latch. This double-buffered organization permits simultaneous update of several D/A converters. All digital control inputs are active low. Refer to the block diagram shown in Figure 1.

All latches are level-triggered. Data present when the enable inputs are logic "0" will enter the latch. When the enable inputs return to logic "1", the data is latched.

The  $\overline{\text{CLR}}$  input resets both the input latch and the D/A latch to  $0000_\text{H}$  (midscale).

## LOGIC INPUT COMPATIBILITY

The DAC714 digital inputs are TTL compatible (1.4V switching level), low leakage, and high impedance. Thus, the inputs are suitable for being driven by any type of 5V logic family, such as CMOS. An equivalent circuit for the digital inputs is shown in Figure 2.

The inputs will float to logic "0" if left unconnected. It is recommended that any unused inputs be connected to DCOM to improve noise immunity.

Digital inputs remain high impedance when power is off.

## INPUT CODING

The DAC714 is designed to accept binary two's complement (BTC) input codes with the MSB first which are compatible with bipolar analog output operation. For this configuration, a digital input of  $7\text{FFF}_\text{H}$  produces a plus full scale output,  $8000_\text{H}$  produces a minus full scale output, and  $0000_\text{H}$  produces bipolar zero output.

## INTERNAL REFERENCE

The DAC714 contains a +10V reference. The reference output may be used to drive external loads, sourcing up to 2mA. The load current should be constant; otherwise, the gain and bipolar offset of the converter will vary.

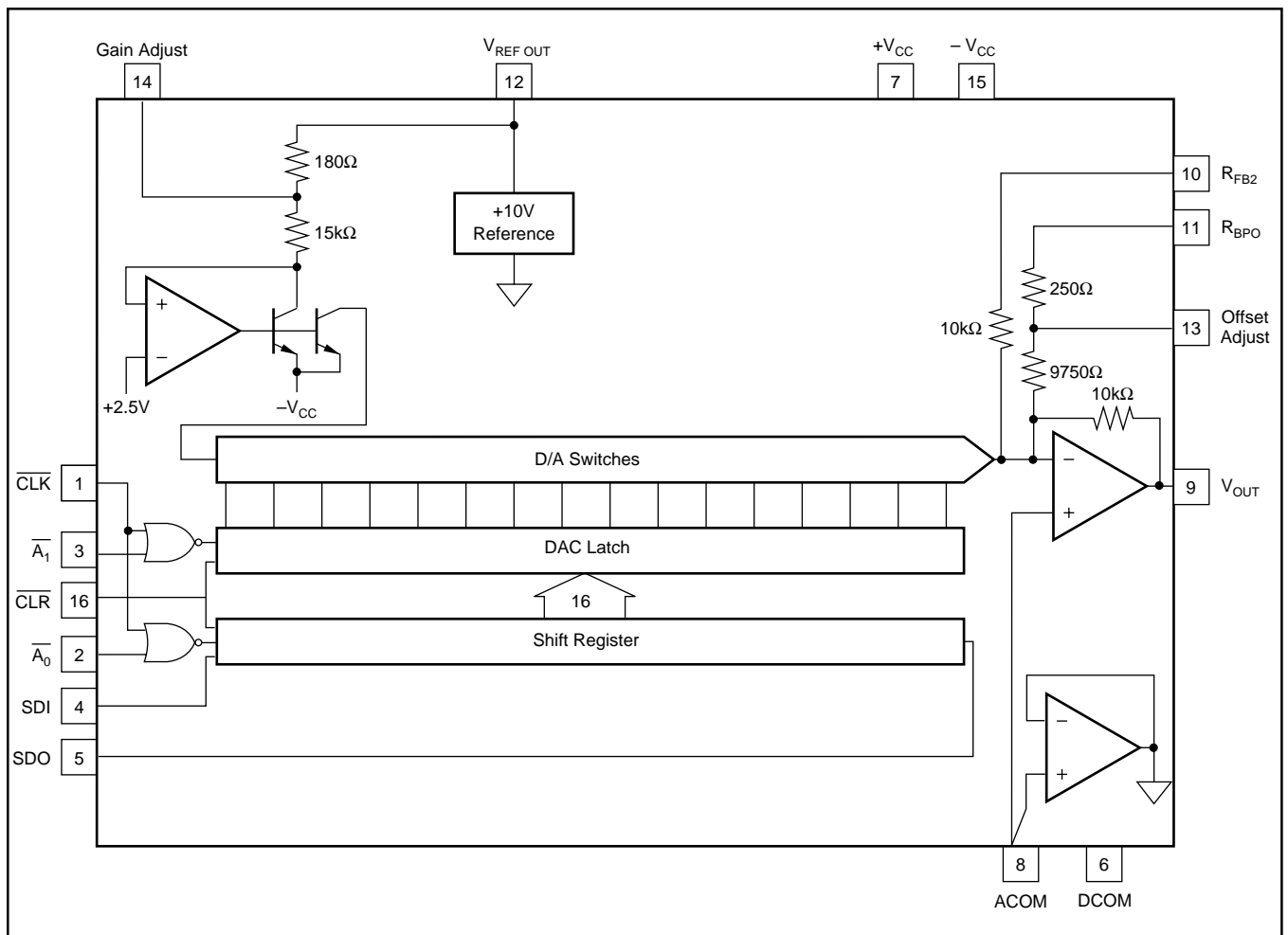


FIGURE 1. DAC714 Block Diagram.

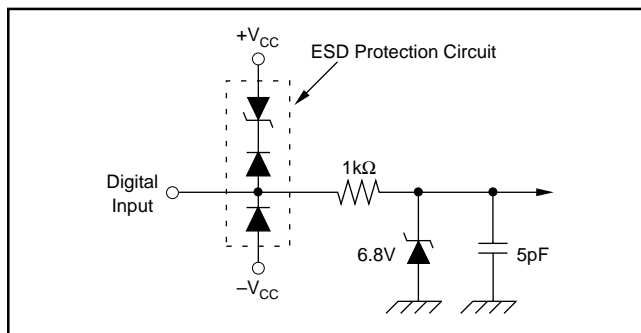


FIGURE 2. Equivalent Circuit of Digital Inputs.

### OUTPUT VOLTAGE SWING

The output amplifier of the DAC714 is designed to achieve a  $\pm 10V$  output range while operating on  $\pm 11.4V$  or higher power supplies.

### GAIN AND OFFSET ADJUSTMENTS

Figure 3 illustrates the relationship of offset and gain adjustments for a bipolar connected D/A converter. Offset should be adjusted first to avoid interaction of adjustments. See Table I for calibration values and codes. These adjustments have a minimum range of  $\pm 0.3\%$ .

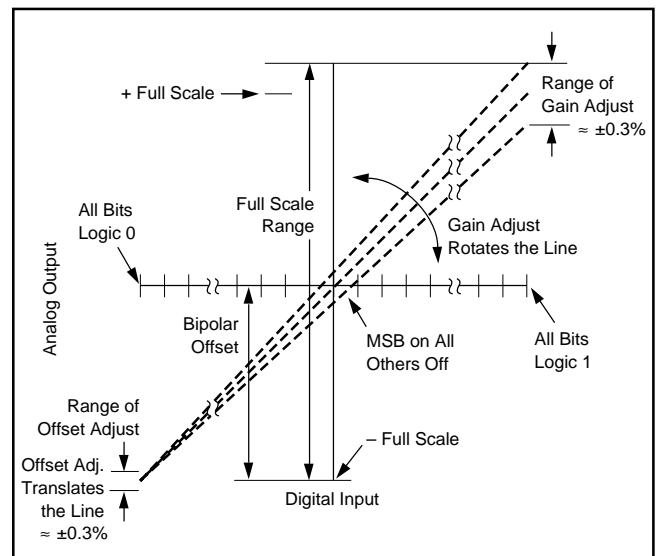


FIGURE 3. Relationship of Offset and Gain Adjustments.

### Offset Adjustment

Apply the digital input code,  $8000_H$ , that produces the maximum negative output voltage and adjust the offset potentiometer or the offset adjust D/A converter for  $-10V$  (or  $0V$  unipolar).

| DAC714 CALIBRATION VALUES                             |                      |                       |                    |
|---|----------------------|-----------------------|--------------------|
| DIGITAL INPUT CODE<br>BINARY TWO'S<br>COMPLEMENT, BTC | ANALOG OUTPUT (V)    |                       | DESCRIPTION        |
|   | BIPOLAR<br>20V RANGE | UNIPOLAR<br>10V RANGE |                    |
| 7FFF <sub>H</sub>                                     | +9.999695            | +9.999847             | + Full Scale -1LSB |
|   |                      |                       |                    |
| 4000 <sub>H</sub>                                     | +5.000000            | +7.500000             | 3/4 Scale          |
|   |                      |                       |                    |
| 0001 <sub>H</sub>                                     | +0.000305            | +5.000153             | BPZ + 1LSB         |
|   |                      |                       |                    |
| 0000 <sub>H</sub>                                     | 0.000000             | +5.000000             | Bipolar Zero (BPZ) |
|   |                      |                       |                    |
| FFFF <sub>H</sub>                                     | -0.000305            | +4.999847             | BPZ - 1LSB         |
|   |                      |                       |                    |
| C000 <sub>H</sub>                                     | -5.000000            | +2.500000             | 1/4 Scale          |
|   |                      |                       |                    |
| 8000 <sub>H</sub>                                     | -10.000000           | 0.000000              | Minus Full Scale   |

TABLE I. Digital Input and Analog Output Voltage Calibration Values.

### Gain Adjustment

Apply the digital input that gives the maximum positive voltage output. Adjust the gain potentiometer or the gain adjust D/A converter for this positive full scale voltage.

## INSTALLATION

### GENERAL CONSIDERATIONS

Due to the high accuracy of the DAC714 system design, problems such as grounding and contact resistance become very important. A 16-bit converter with a 20V full-scale range has a 1LSB value of 305 $\mu$ V. With a load current of 5mA, series wiring and connector resistance of only 60m $\Omega$  will cause a voltage drop of 300 $\mu$ V. To understand what this means in terms of a system layout, the resistivity of a typical 1 ounce copper-clad printed circuit board is 1/2 m $\Omega$  per square. For a 5mA load, a 10 milliinch wide printed circuit conductor 60 milliinches long will result in a voltage drop of 150 $\mu$ V.

The analog output of DAC714 has an LSB size of 305 $\mu$ V (-96dB) in the bipolar mode. The rms noise floor of the D/A should remain below this level in the frequency range of interest. The DAC714's output noise spectral density (which includes the noise contributed by the internal reference,) is shown in the Typical Characteristic section.

Wiring to high-resolution D/A converters should be routed to provide optimum isolation from sources of RFI and EMI. The key to elimination of RF radiation or pickup is small loop area. Signal leads and their return conductors should be kept close together such that they present a small capture cross-section for any external field. Wire-wrap construction is not recommended.

### POWER SUPPLY AND REFERENCE CONNECTIONS

Power supply decoupling capacitors should be added as shown in Figure 4. Best performance occurs using a 1 to 10 $\mu$ F tantalum capacitor at  $-V_{CC}$ . Applications with less

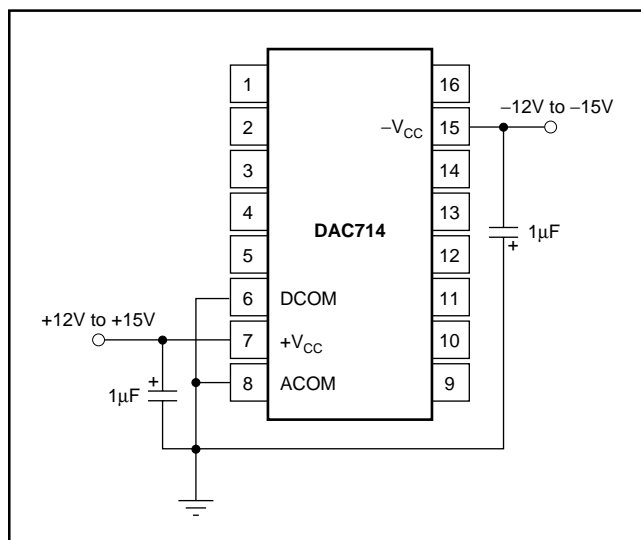


FIGURE 4. Power Supply Connections.

critical settling time may be able to use 0.01 $\mu$ F at  $-V_{CC}$  as well as at  $+V_{CC}$ . The capacitors should be located close to the package.

The DAC714 has separate ANALOG COMMON and DIGITAL COMMON pins. The current through DCOM is mostly switching transients and are up to 1mA peak in amplitude. The current through ACOM is typically 5 $\mu$ A for all codes.

Use separate analog and digital ground planes with a single interconnection point to minimize ground loops. The analog pins are located adjacent to each other to help isolate analog from digital signals. Analog signals should be routed as far as possible from digital signals and should cross them at right angles. A solid analog ground plane around the D/A package, as well as under it in the vicinity of the analog and power supply pins, will isolate the D/A from switching currents. It is recommended that DCOM and ACOM be connected directly to the ground planes under the package.

If several DAC714s are used or if DAC714 shares supplies with other components, connecting the ACOM and DCOM lines to together once at the power supplies rather than at each chip may give better results.

### LOAD CONNECTIONS

Since the reference point for  $V_{OUT}$  and  $V_{REF OUT}$  is the ACOM pin, it is important to connect the D/A converter load directly to the ACOM pin. Refer to Figure 5.

Lead and contact resistances are represented by  $R_1$  through  $R_3$ . As long as the load resistance  $R_L$  is constant,  $R_1$  simply introduces a gain error and can be removed by gain adjustment of the D/A or system-wide gain calibration.  $R_2$  is part of  $R_L$  if the output voltage is sensed at ACOM.

In some applications it is impractical to return the load to the ACOM pin of the D/A converter. Sensing the output voltage at the SYSTEM GROUND point is reasonable, because there is no change in DAC714 ACOM current, provided that  $R_3$  is a low-resistance ground plane or conductor. In this case you may wish to connect DCOM to SYSTEM GROUND as well.



## GAIN AND OFFSET ADJUST

### Connections Using Potentiometers

GAIN and OFFSET adjust pins provide for trim using external potentiometers. 15-turn potentiometers provide sufficient resolution. Range of adjustment of these trims is at least  $\pm 0.3\%$  of Full Scale Range. Refer to Figure 6.

### Using D/A Converters

The GAIN ADJUST and OFFSET ADJUST circuits of the DAC714 have been arranged so that these points may be easily driven by external D/A converters. Refer to Figure 7. 12-bit D/A converters provide an OFFSET adjust resolution and a GAIN adjust resolution of  $30\mu\text{V}$  to  $50\mu\text{V}$  per LSB step.

Nominal values of GAIN and OFFSET occur when the D/A converters outputs are at approximately half scale, +5V.

## OUTPUT VOLTAGE RANGE CONNECTIONS

The DAC714 output amplifier is connected internally to provide a 20V output range. For other ranges and configurations, see Figures 6 and 7.

## DIGITAL INTERFACE

### SERIAL INTERFACE

The DAC714 has a serial interface with two data buffers which can be used for either synchronous or asynchronous updating of multiple D/A converters.  $\overline{A0}$  is the enable control for the input shift register.  $\overline{A1}$  is the enable for the D/A Latch.  $\overline{CLK}$  is used to strobe data into the latches enabled by  $\overline{A0}$  and  $\overline{A1}$ . A CLR function is also provided and when enabled it sets the shift register and the D/A Latch to  $0000_H$  (output voltage is midscale).

Multiple DAC714s can be connected to the same  $\overline{CLK}$  and data lines in two ways. The output of the serial shift register is available as SDO so that any number of DAC714s can be cascaded on the same input bit stream as shown in Figures 8 and 9. This configuration allows all D/A converters to be updated simultaneously and requires a minimum number of control signals. These configurations do require  $16N$   $\overline{CLK}$  cycles to load any given D/A converter, where N is the number of D/A converters.

The DAC714 can also be connected in parallel as shown in Figure 10. This configuration allows any D/A converter in the system to be updated in a maximum of 16 CLK cycles.

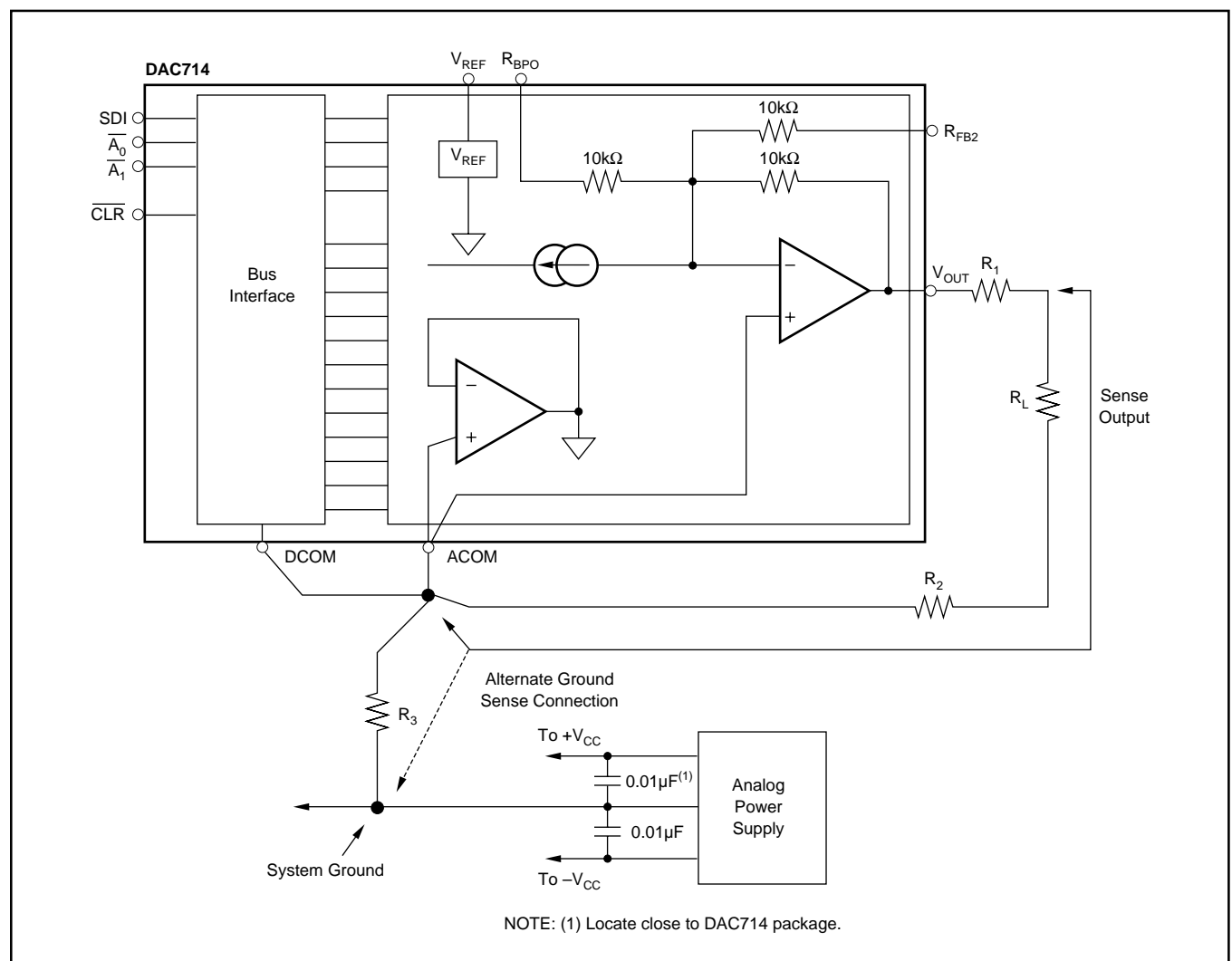


FIGURE 5. System Ground Considerations for High-Resolution D/A Converters.

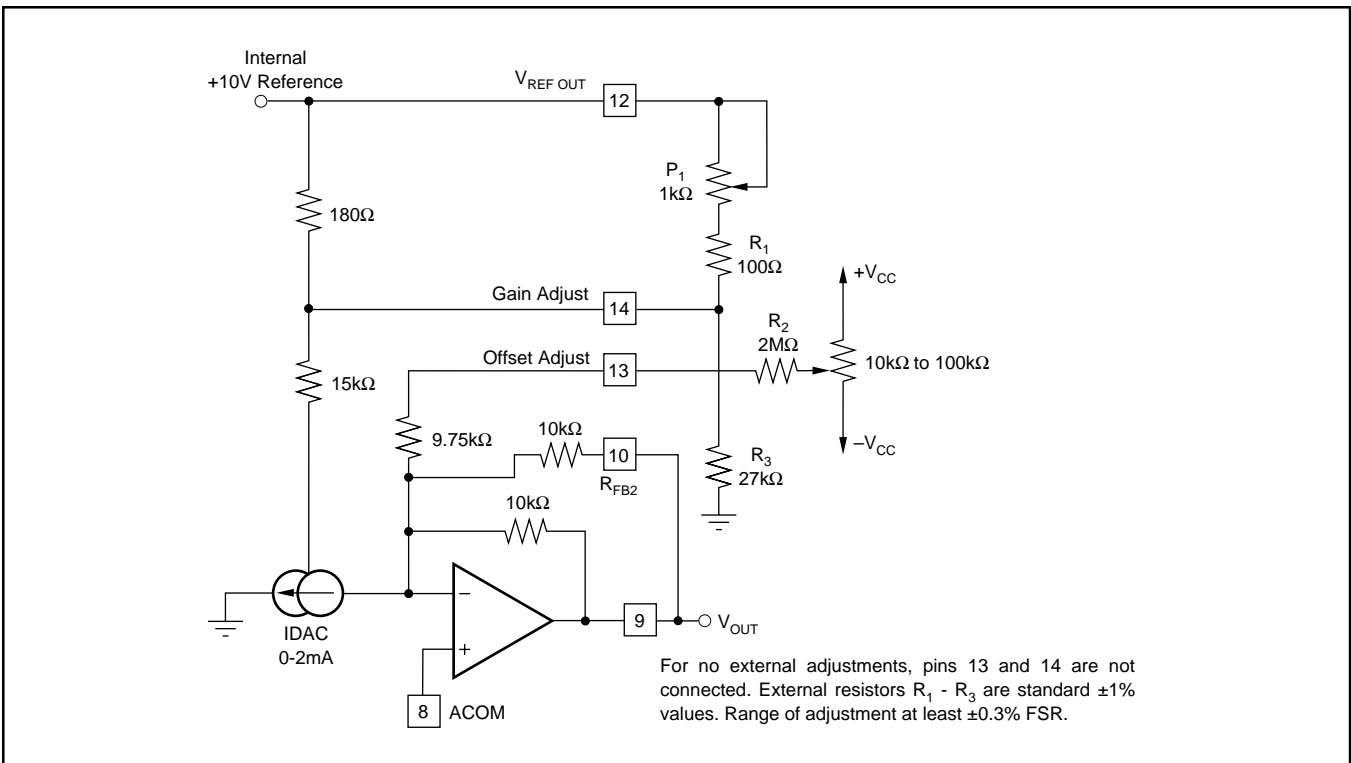


FIGURE 6a. Manual Offset and Gain Adjust Circuits; Unipolar Mode (0V to +10V output range).

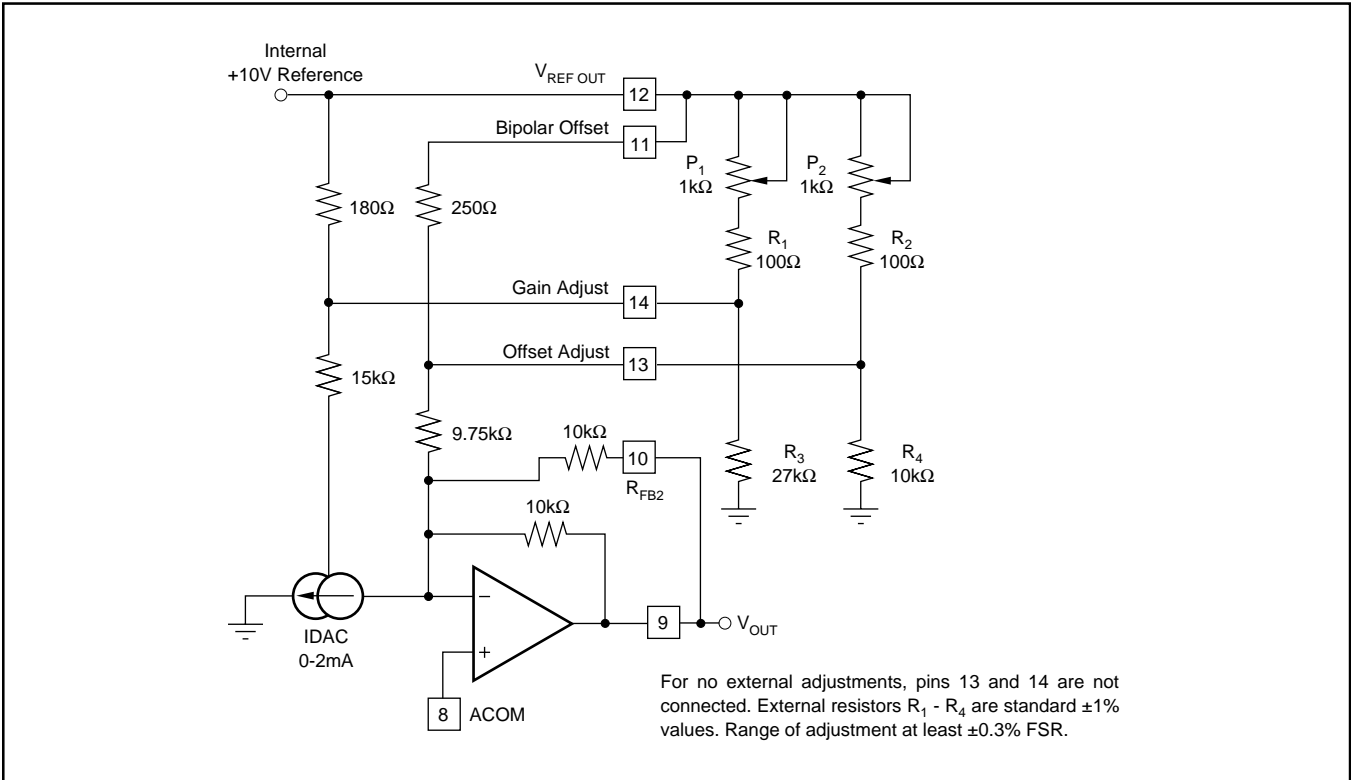


FIGURE 6b. Manual Offset and Gain Adjust Circuits; Bipolar Mode (-5V to +5V output range).

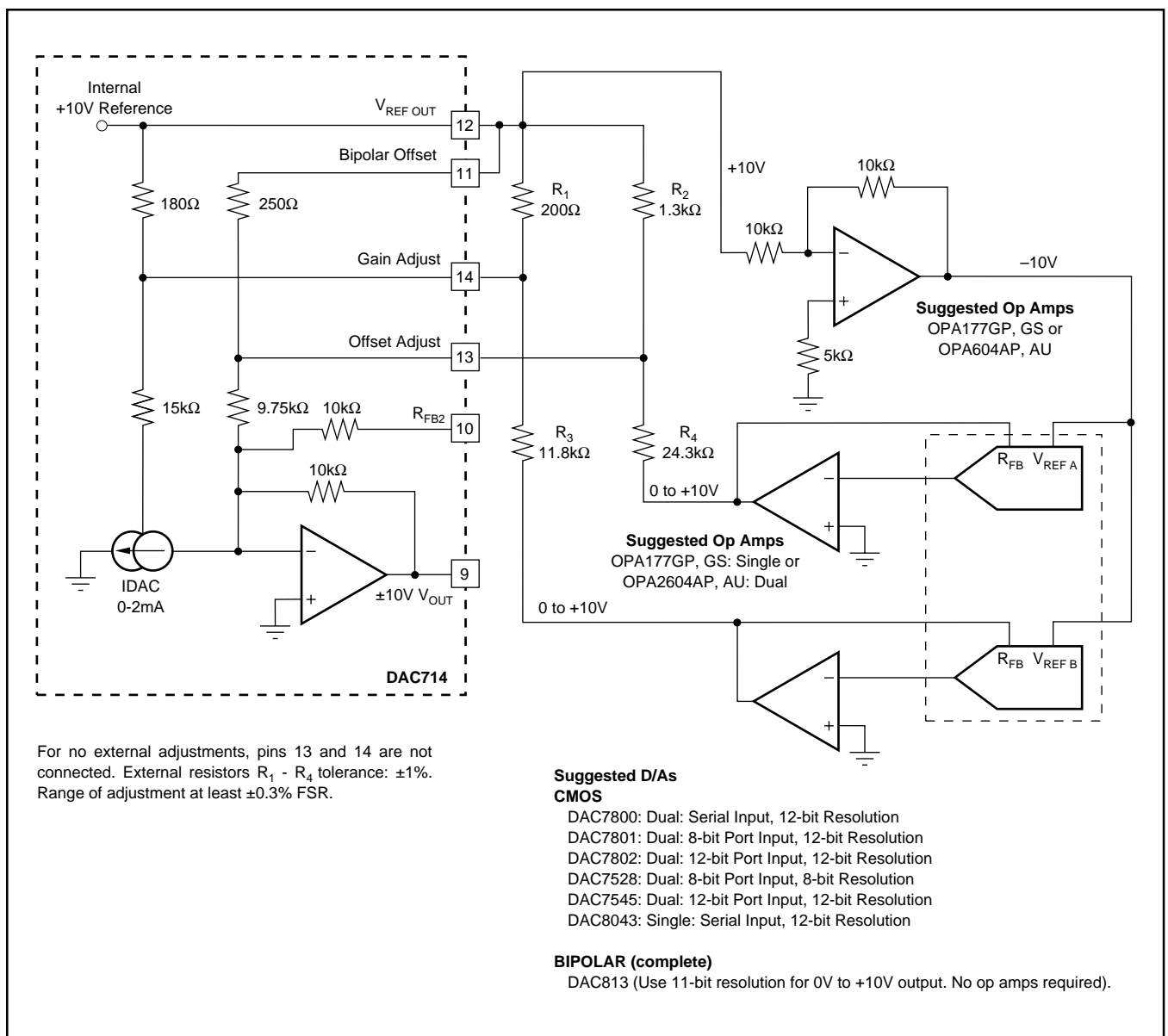


FIGURE 7. Gain and Offset Adjustment in the Bipolar Mode Using D/A Converters (–10V to +10V output range).

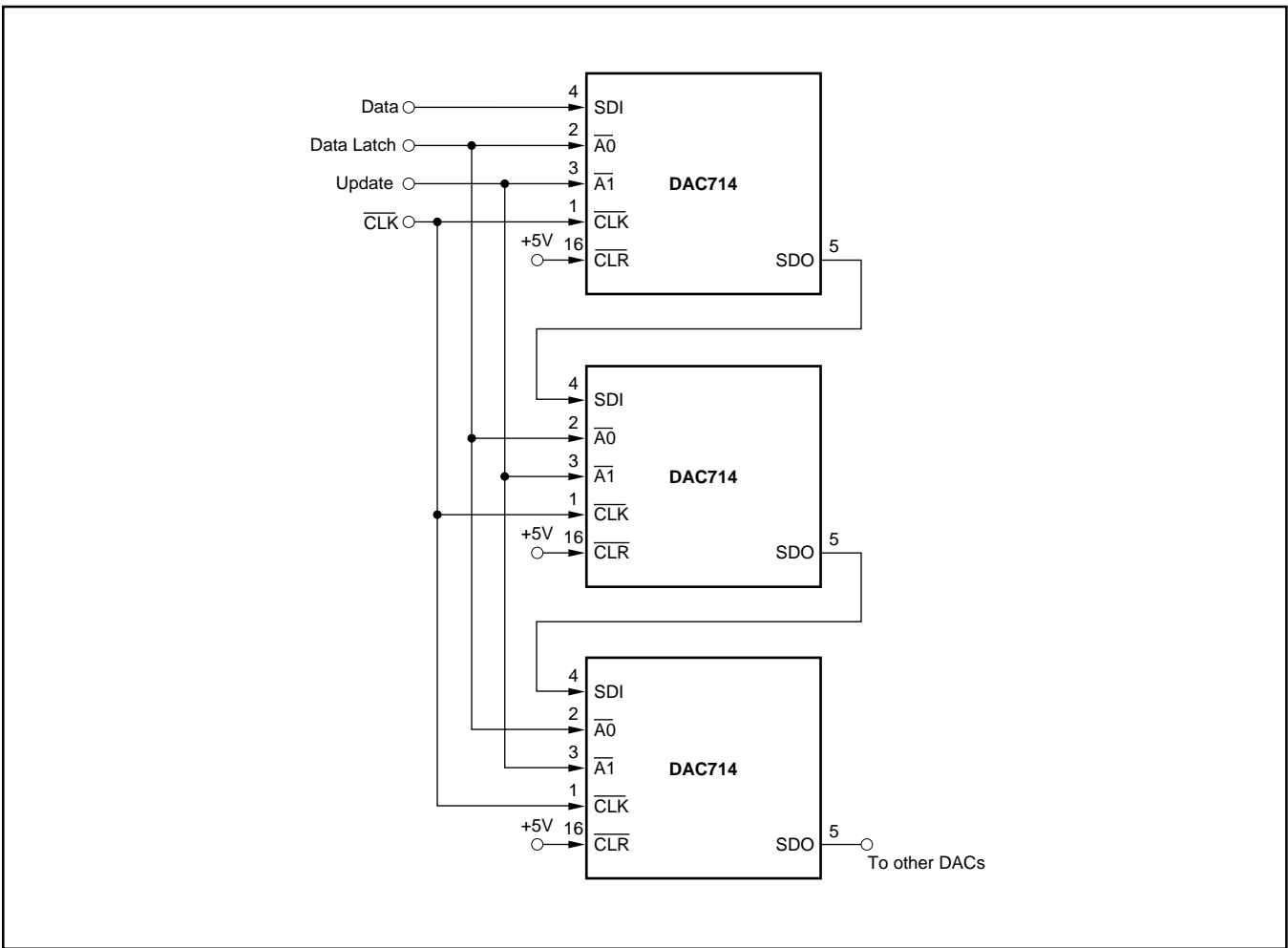


FIGURE 8a. Cascaded Serial Bus Connection with Synchronous Update.

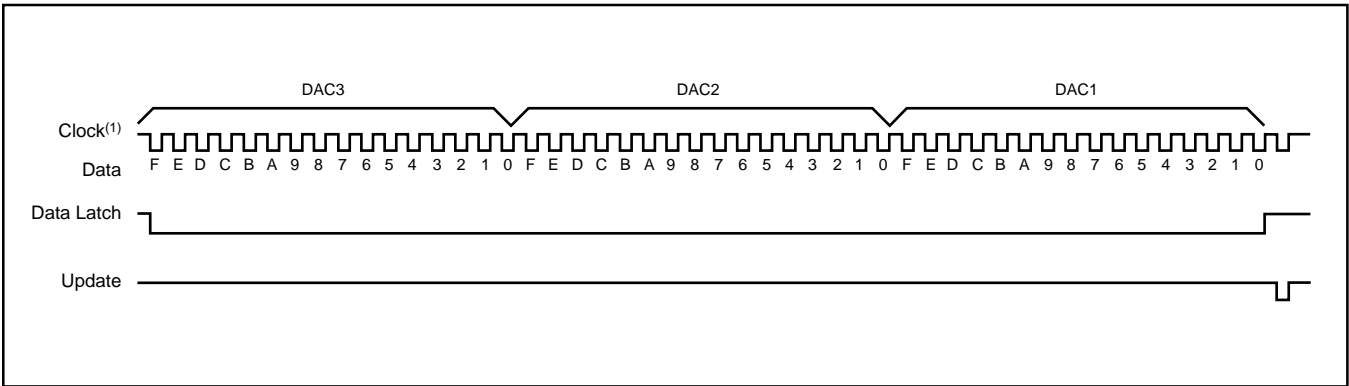


FIGURE 8b. Timing Diagram For Figure 8a.

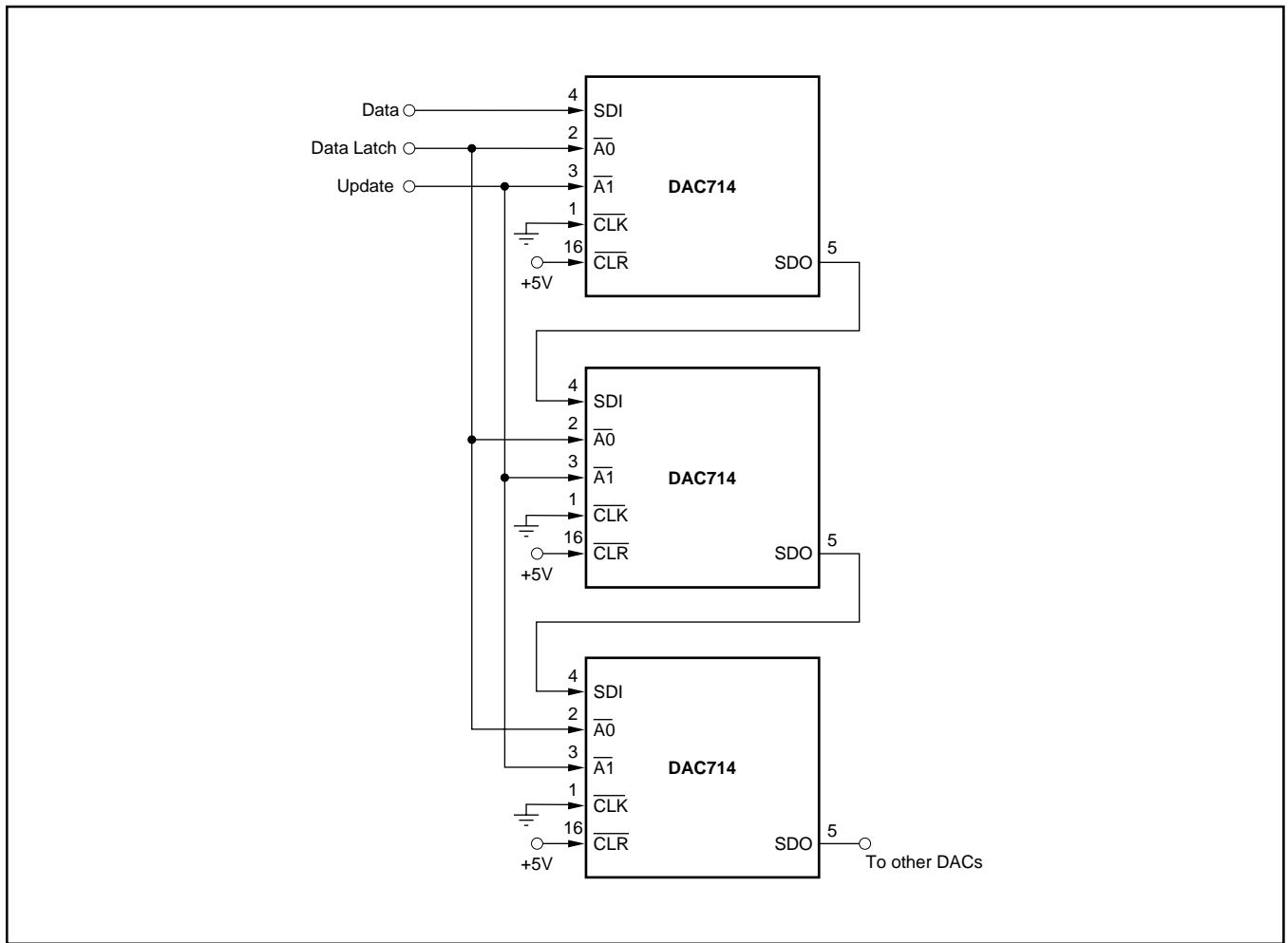


FIGURE 9a. Cascaded Serial Bus Connection with Asynchronous Update.

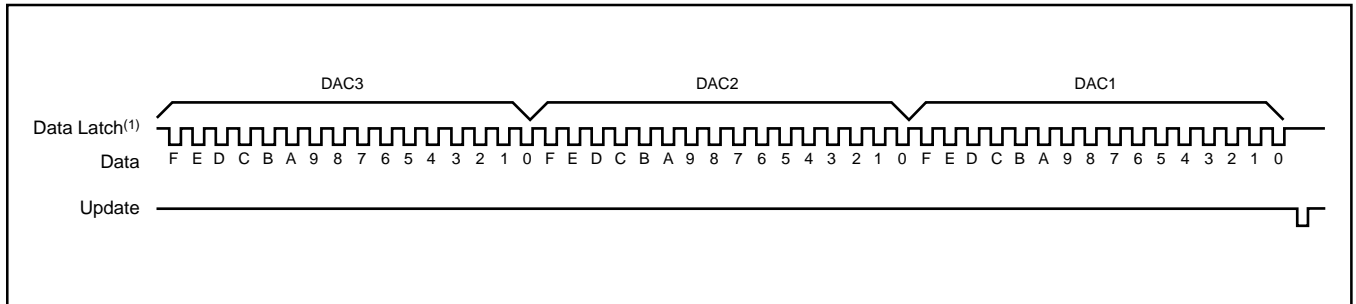


FIGURE 9b. Timing Diagram For Figure 9a.

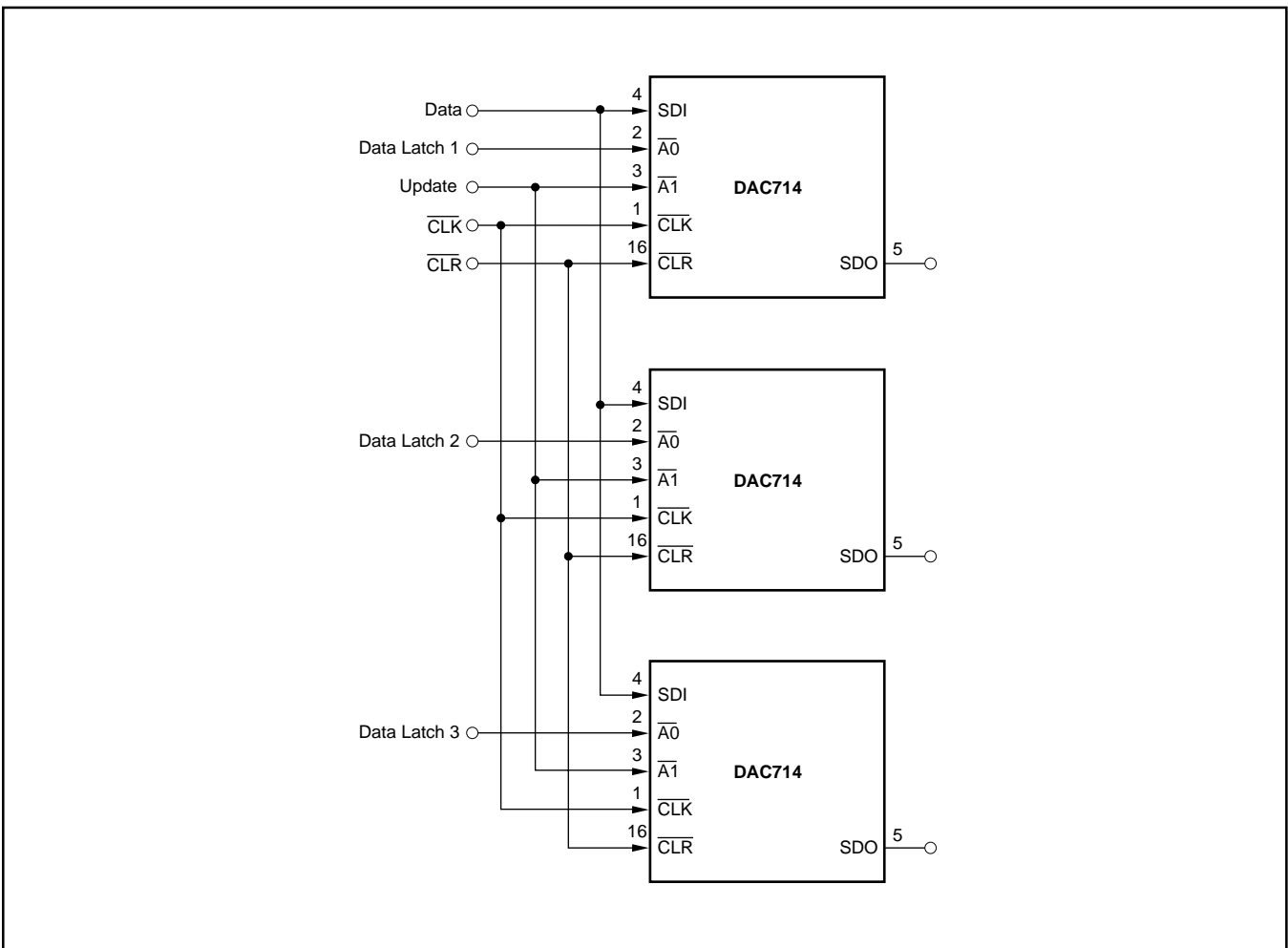


FIGURE 10a. Parallel Bus Connection.

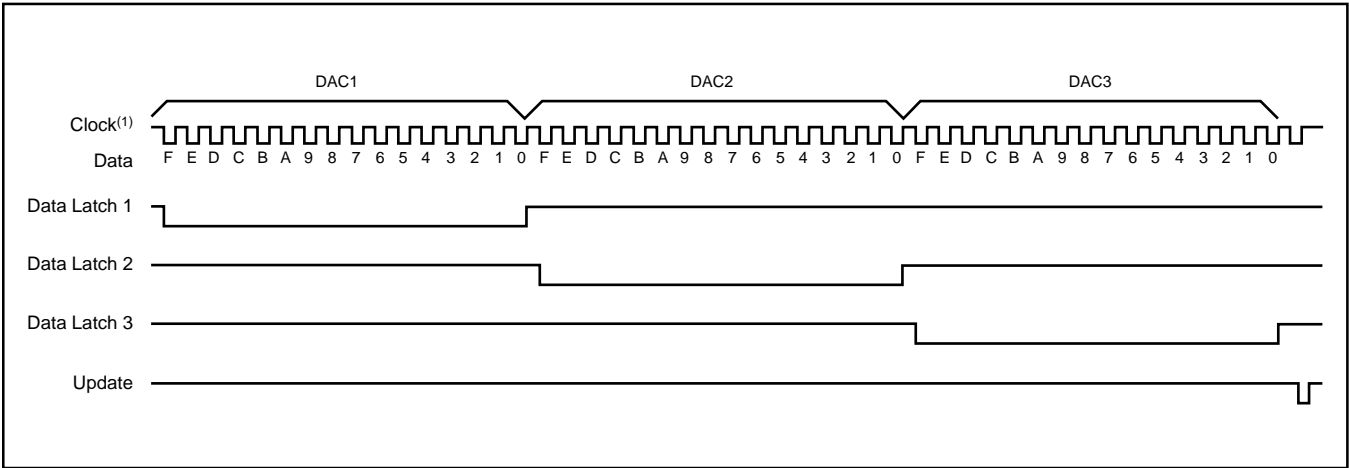


FIGURE 10b. Timing Diagram For Figure 10a.

**PACKAGING INFORMATION**

| Orderable Device | Status <sup>(1)</sup> | Package Type | Package Drawing | Pins | Package Qty | Eco Plan <sup>(2)</sup> | Lead/<br>Ball Finish | MSL Peak Temp <sup>(3)</sup> | Samples<br>(Requires Login) |
|------------------|-----------------------|--------------|-----------------|------|-------------|-------------------------|----------------------|------------------------------|-----------------------------|
| DAC714HB         | OBSOLETE              | CDIP SB      | JD              | 16   |             | TBD                     | Call TI              | Call TI                      |                             |
| DAC714HC         | OBSOLETE              | CDIP SB      | JD              | 16   |             | TBD                     | Call TI              | Call TI                      |                             |
| DAC714HL         | OBSOLETE              | CDIP SB      | JD              | 16   |             | TBD                     | Call TI              | Call TI                      |                             |
| DAC714P          | NRND                  | PDIP         | N               | 16   | 25          | Green (RoHS & no Sb/Br) | CU NIPDAU            | N / A for Pkg Type           |                             |
| DAC714PG4        | NRND                  | PDIP         | N               | 16   | 25          | Green (RoHS & no Sb/Br) | CU NIPDAU            | N / A for Pkg Type           |                             |
| DAC714U          | ACTIVE                | SOIC         | DW              | 16   | 40          | Green (RoHS & no Sb/Br) | CU NIPDAU            | Level-3-260C-168 HR          |                             |
| DAC714U/1K       | ACTIVE                | SOIC         | DW              | 16   | 1000        | Green (RoHS & no Sb/Br) | CU NIPDAU            | Level-3-260C-168 HR          |                             |
| DAC714U/1KG4     | ACTIVE                | SOIC         | DW              | 16   | 1000        | Green (RoHS & no Sb/Br) | CU NIPDAU            | Level-3-260C-168 HR          |                             |
| DAC714UG4        | ACTIVE                | SOIC         | DW              | 16   | 40          | Green (RoHS & no Sb/Br) | CU NIPDAU            | Level-3-260C-168 HR          |                             |

<sup>(1)</sup> The marketing status values are defined as follows:

**ACTIVE:** Product device recommended for new designs.

**LIFEBUY:** TI has announced that the device will be discontinued, and a lifetime-buy period is in effect.

**NRND:** Not recommended for new designs. Device is in production to support existing customers, but TI does not recommend using this part in a new design.

**PREVIEW:** Device has been announced but is not in production. Samples may or may not be available.

**OBSOLETE:** TI has discontinued the production of the device.

<sup>(2)</sup> Eco Plan - The planned eco-friendly classification: Pb-Free (RoHS), Pb-Free (RoHS Exempt), or Green (RoHS & no Sb/Br) - please check <http://www.ti.com/productcontent> for the latest availability information and additional product content details.

**TBD:** The Pb-Free/Green conversion plan has not been defined.

**Pb-Free (RoHS):** TI's terms "Lead-Free" or "Pb-Free" mean semiconductor products that are compatible with the current RoHS requirements for all 6 substances, including the requirement that lead not exceed 0.1% by weight in homogeneous materials. Where designed to be soldered at high temperatures, TI Pb-Free products are suitable for use in specified lead-free processes.

**Pb-Free (RoHS Exempt):** This component has a RoHS exemption for either 1) lead-based flip-chip solder bumps used between the die and package, or 2) lead-based die adhesive used between the die and leadframe. The component is otherwise considered Pb-Free (RoHS compatible) as defined above.

**Green (RoHS & no Sb/Br):** TI defines "Green" to mean Pb-Free (RoHS compatible), and free of Bromine (Br) and Antimony (Sb) based flame retardants (Br or Sb do not exceed 0.1% by weight in homogeneous material)

<sup>(3)</sup> MSL, Peak Temp. -- The Moisture Sensitivity Level rating according to the JEDEC industry standard classifications, and peak solder temperature.

**Important Information and Disclaimer:** The information provided on this page represents TI's knowledge and belief as of the date that it is provided. TI bases its knowledge and belief on information provided by third parties, and makes no representation or warranty as to the accuracy of such information. Efforts are underway to better integrate information from third parties. TI has taken and continues to take reasonable steps to provide representative and accurate information but may not have conducted destructive testing or chemical analysis on incoming materials and chemicals. TI and TI suppliers consider certain information to be proprietary, and thus CAS numbers and other limited information may not be available for release.

In no event shall TI's liability arising out of such information exceed the total purchase price of the TI part(s) at issue in this document sold by TI to Customer on an annual basis.



**TAPE AND REEL INFORMATION**



**QUADRANT ASSIGNMENTS FOR PIN 1 ORIENTATION IN TAPE**



\*All dimensions are nominal

| Device     | Package Type | Package Drawing | Pins | SPQ  | Reel Diameter (mm) | Reel Width W1 (mm) | A0 (mm) | B0 (mm) | K0 (mm) | P1 (mm) | W (mm) | Pin1 Quadrant |
|------------|--------------|-----------------|------|------|--------------------|--------------------|---------|---------|---------|---------|--------|---------------|
| DAC714U/1K | SOIC         | DW              | 16   | 1000 | 330.0              | 16.4               | 10.85   | 10.8    | 2.7     | 12.0    | 16.0   | Q1            |

**TAPE AND REEL BOX DIMENSIONS**



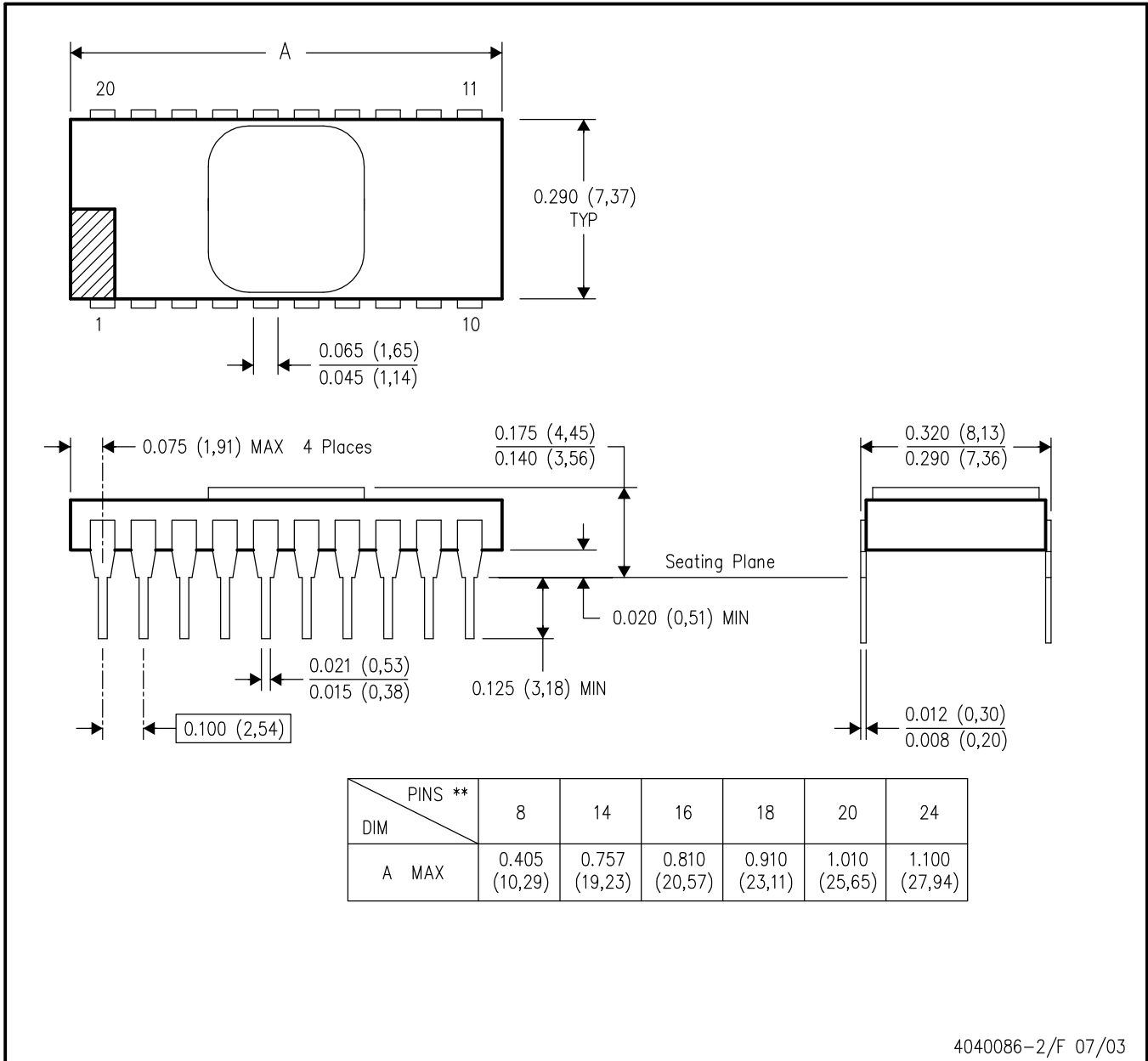
\*All dimensions are nominal

| Device     | Package Type | Package Drawing | Pins | SPQ  | Length (mm) | Width (mm) | Height (mm) |
|------------|--------------|-----------------|------|------|-------------|------------|-------------|
| DAC714U/1K | SOIC         | DW              | 16   | 1000 | 346.0       | 346.0      | 33.0        |

JD (R-CDIP-T\*\*)

CERAMIC SIDE-BRAZE DUAL-IN-LINE PACKAGE

20 PINS SHOWN



4040086-2/F 07/03

- NOTES:
- A. All linear dimensions are in inches (millimeters).
  - B. This drawing is subject to change without notice.
  - C. This package is hermetically sealed with a metal lid.
  - D. The terminals are gold plated.
  - E. Falls within MIL STD 1835 CDIP2 - T8, T14, T16, T18, T20 and T24 respectively.

DW (R-PDSO-G16)

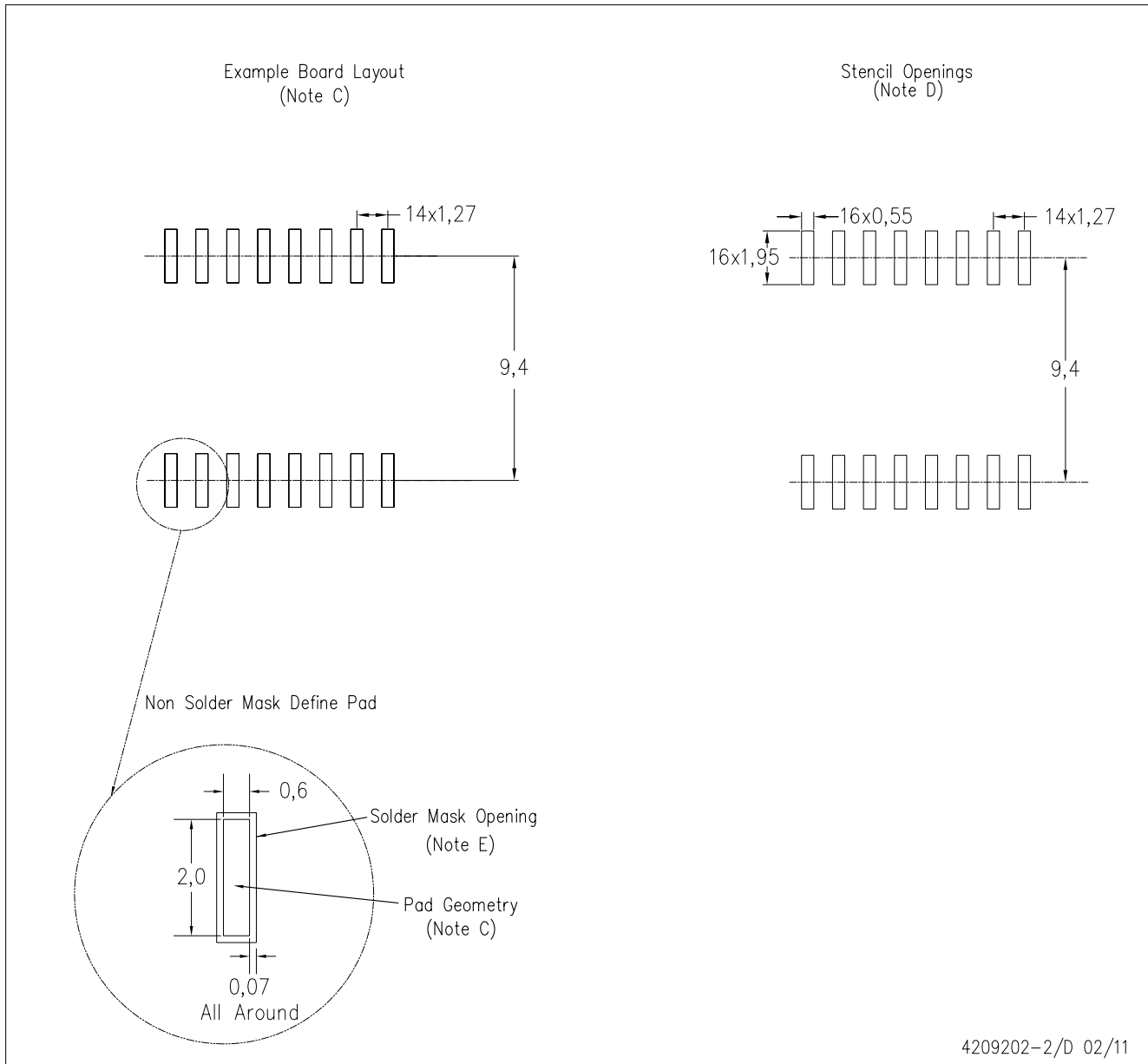
PLASTIC SMALL OUTLINE



- NOTES:
- All linear dimensions are in inches (millimeters). Dimensioning and tolerancing per ASME Y14.5M-1994.
  - This drawing is subject to change without notice.
  - Body dimensions do not include mold flash or protrusion not to exceed 0.006 (0,15).
  - Falls within JEDEC MS-013 variation AA.

DW (R-PDSO-G16)

PLASTIC SMALL OUTLINE



4209202-2/D 02/11

- NOTES:
- A. All linear dimensions are in millimeters.
  - B. This drawing is subject to change without notice.
  - C. Refer to IPC7351 for alternate board design.
  - D. Laser cutting apertures with trapezoidal walls and also rounding corners will offer better paste release. Customers should contact their board assembly site for stencil design recommendations. Refer to IPC-7525
  - E. Customers should contact their board fabrication site for solder mask tolerances between and around signal pads.

## IMPORTANT NOTICE

Texas Instruments Incorporated and its subsidiaries (TI) reserve the right to make corrections, modifications, enhancements, improvements, and other changes to its products and services at any time and to discontinue any product or service without notice. Customers should obtain the latest relevant information before placing orders and should verify that such information is current and complete. All products are sold subject to TI's terms and conditions of sale supplied at the time of order acknowledgment.

TI warrants performance of its hardware products to the specifications applicable at the time of sale in accordance with TI's standard warranty. Testing and other quality control techniques are used to the extent TI deems necessary to support this warranty. Except where mandated by government requirements, testing of all parameters of each product is not necessarily performed.

TI assumes no liability for applications assistance or customer product design. Customers are responsible for their products and applications using TI components. To minimize the risks associated with customer products and applications, customers should provide adequate design and operating safeguards.

TI does not warrant or represent that any license, either express or implied, is granted under any TI patent right, copyright, mask work right, or other TI intellectual property right relating to any combination, machine, or process in which TI products or services are used. Information published by TI regarding third-party products or services does not constitute a license from TI to use such products or services or a warranty or endorsement thereof. Use of such information may require a license from a third party under the patents or other intellectual property of the third party, or a license from TI under the patents or other intellectual property of TI.

Reproduction of TI information in TI data books or data sheets is permissible only if reproduction is without alteration and is accompanied by all associated warranties, conditions, limitations, and notices. Reproduction of this information with alteration is an unfair and deceptive business practice. TI is not responsible or liable for such altered documentation. Information of third parties may be subject to additional restrictions.

Resale of TI products or services with statements different from or beyond the parameters stated by TI for that product or service voids all express and any implied warranties for the associated TI product or service and is an unfair and deceptive business practice. TI is not responsible or liable for any such statements.

TI products are not authorized for use in safety-critical applications (such as life support) where a failure of the TI product would reasonably be expected to cause severe personal injury or death, unless officers of the parties have executed an agreement specifically governing such use. Buyers represent that they have all necessary expertise in the safety and regulatory ramifications of their applications, and acknowledge and agree that they are solely responsible for all legal, regulatory and safety-related requirements concerning their products and any use of TI products in such safety-critical applications, notwithstanding any applications-related information or support that may be provided by TI. Further, Buyers must fully indemnify TI and its representatives against any damages arising out of the use of TI products in such safety-critical applications.

TI products are neither designed nor intended for use in military/aerospace applications or environments unless the TI products are specifically designated by TI as military-grade or "enhanced plastic." Only products designated by TI as military-grade meet military specifications. Buyers acknowledge and agree that any such use of TI products which TI has not designated as military-grade is solely at the Buyer's risk, and that they are solely responsible for compliance with all legal and regulatory requirements in connection with such use.

TI products are neither designed nor intended for use in automotive applications or environments unless the specific TI products are designated by TI as compliant with ISO/TS 16949 requirements. Buyers acknowledge and agree that, if they use any non-designated products in automotive applications, TI will not be responsible for any failure to meet such requirements.

Following are URLs where you can obtain information on other Texas Instruments products and application solutions:

### Products

|                             |  |
|-----------------------------|--|
| Audio                       | <a href="http://www.ti.com/audio">www.ti.com/audio</a>             |
| Amplifiers                  | <a href="http://amplifier.ti.com">amplifier.ti.com</a>             |
| Data Converters             | <a href="http://dataconverter.ti.com">dataconverter.ti.com</a>     |
| DLP® Products               | <a href="http://www.dlp.com">www.dlp.com</a>                       |
| DSP                         | <a href="http://dsp.ti.com">dsp.ti.com</a>                         |
| Clocks and Timers           | <a href="http://www.ti.com/clocks">www.ti.com/clocks</a>           |
| Interface                   | <a href="http://interface.ti.com">interface.ti.com</a>             |
| Logic                       | <a href="http://logic.ti.com">logic.ti.com</a>                     |
| Power Mgmt                  | <a href="http://power.ti.com">power.ti.com</a>                     |
| Microcontrollers            | <a href="http://microcontroller.ti.com">microcontroller.ti.com</a> |
| RFID                        | <a href="http://www.ti-rfid.com">www.ti-rfid.com</a>               |
| RF/IF and ZigBee® Solutions | <a href="http://www.ti.com/lprf">www.ti.com/lprf</a>               |

### Applications

|                               |  |
|-------------------------------|--|
| Communications and Telecom    | <a href="http://www.ti.com/communications">www.ti.com/communications</a>                 |
| Computers and Peripherals     | <a href="http://www.ti.com/computers">www.ti.com/computers</a>                           |
| Consumer Electronics          | <a href="http://www.ti.com/consumer-apps">www.ti.com/consumer-apps</a>                   |
| Energy and Lighting           | <a href="http://www.ti.com/energy">www.ti.com/energy</a>                                 |
| Industrial                    | <a href="http://www.ti.com/industrial">www.ti.com/industrial</a>                         |
| Medical                       | <a href="http://www.ti.com/medical">www.ti.com/medical</a>                               |
| Security                      | <a href="http://www.ti.com/security">www.ti.com/security</a>                             |
| Space, Avionics and Defense   | <a href="http://www.ti.com/space-avionics-defense">www.ti.com/space-avionics-defense</a> |
| Transportation and Automotive | <a href="http://www.ti.com/automotive">www.ti.com/automotive</a>                         |
| Video and Imaging             | <a href="http://www.ti.com/video">www.ti.com/video</a>                                   |
| Wireless                      | <a href="http://www.ti.com/wireless-apps">www.ti.com/wireless-apps</a>                   |

TI E2E Community Home Page

[e2e.ti.com](http://e2e.ti.com)

Mailing Address: Texas Instruments, Post Office Box 655303, Dallas, Texas 75265  
Copyright © 2011, Texas Instruments Incorporated