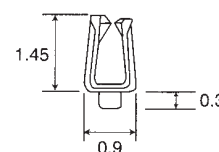
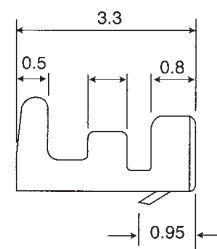
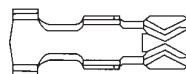
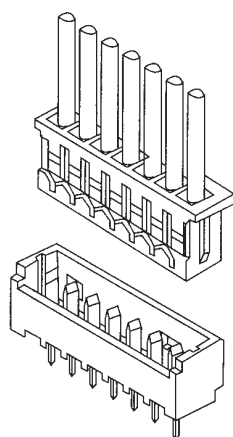


125G1 CONNECTOR SYSTEM

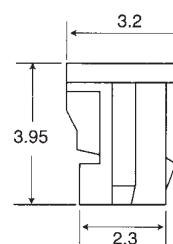
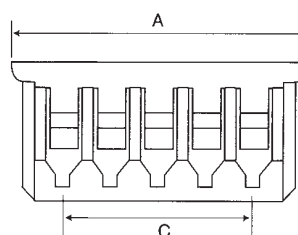
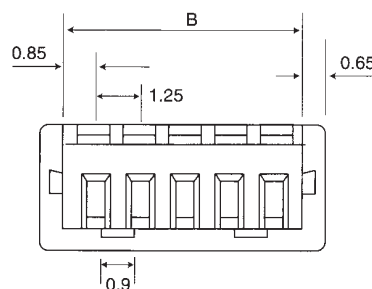
.049" (1.25mm) pitch wire-to-board type



PART NO.	WIRE RANGE		MATERIAL/	THICKNESS	INSULATION	REEL
	AWG#	mm ²	FINISH	mm	O.D.(mm)	PCS
125G1-TP	28-32	0.08-0.032	PHOS/TIN	1.5	0.9-0.5	15000

125G1 SERIES HOUSING

MATERIAL : NYLON 66 UL 94V-0
 ACCEPT 125G1-TP TERMINAL
 MATE WITH 125G1-D(M) SERIES HEADER
 CURRENT RATING : 1A AC,DC
 VOLTAGE RATING : 125V AC,DC
 CONTACT RESISTANCE : 20m δ MAX
 INSULATION RESISTANCE : 100M δ MIN
 WITHSTANDING VOLTAGE : 250V AC/MINUTE
 TEMPERATURE RANGE : -25°C TO +85°C



POLES	PART NO.	DIMENSIONS (mm)			POLES	PART NO.	DIMENSIONS (mm)		
		A	B	C			A	B	C
2	125G1-H02	4.25	2.95	1.25	9	125G1-H09	13.00	11.70	10.00
3	125G1-H03	5.50	4.20	2.50	10	125G1-H10	14.25	12.95	11.25
4	125G1-H04	6.75	5.45	3.75	11	125G1-H11	15.50	14.20	12.50
5	125G1-H05	8.00	6.70	5.00	12	125G1-H12	16.75	15.45	13.75
6	125G1-H06	9.25	7.95	6.25	13	125G1-H13	18.00	16.70	15.00
7	125G1-H07	10.50	9.20	7.50	14	125G1-H14	19.25	17.95	16.25
8	125G1-H08	11.75	10.45	8.75	15	125G1-H15	20.50	19.20	17.50

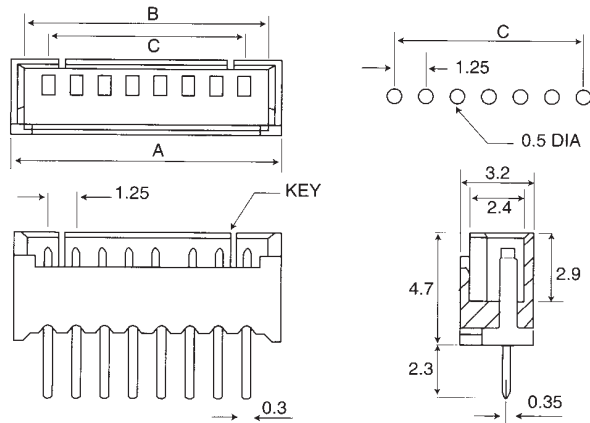
125G1 CONNECTOR SYSTEM

.049" (1.25mm) pitch wire-to-board type



125G1-DV SERIES HEADER

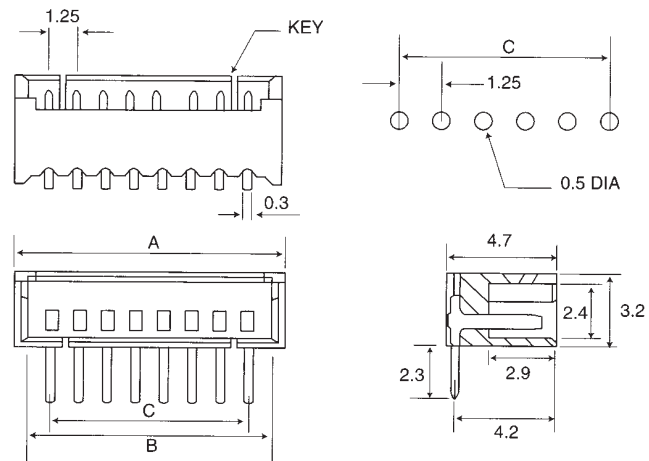
MATERIAL : NYLON 6T UL 94V-0
 PIN PHOS TIN-PLATED
 MATE WITH 125G1-H SERIES HOUSING
 CURRENT RATING : 1A AC, DC
 VOLTAGE RATING : 125V AC, DC
 CONTACT RESISTANCE : 20m Ω MAX
 INSULATION RESISTANCE : 100M Ω MIN
 WITHSTANDING VOLTAGE : 250V AC/MINUTE
 TEMPERATURE RANGE : -25°C TO +85°C
 PC BOARD HOLE : 0.5 MM DIA
 (2-3) P-1 KEY ,(4-15) P-2 KEY



POLES	PART NO.	DIMENSIONS (mm)			POLES	PART NO.	DIMENSIONS (mm)		
		A	B	C			A	B	C
2	125G1-DV02	4.25	3.05	1.25	9	125G1-DV09	13.00	11.80	10.00
3	125G1-DV03	5.50	4.30	2.50	10	125G1-DV10	14.25	13.05	11.25
4	125G1-DV04	6.75	5.55	3.75	11	125G1-DV11	15.50	14.30	12.50
5	125G1-DV05	8.00	6.80	5.00	12	125G1-DV12	16.75	15.55	13.75
6	125G1-DV06	9.25	8.05	6.25	13	125G1-DV13	18.00	16.80	15.00
7	125G1-DV07	10.50	9.30	7.50	14	125G1-DV14	19.25	18.05	16.25
8	125G1-DV08	11.75	10.55	8.75	15	125G1-DV15	20.50	19.30	17.50

125G1-DR SERIES HEADER

MATERIAL : NYLON 6T UL 94V-0
 PIN PHOS TIN-PLATED
 MATE WITH 125G1-H SERIES HOUSING
 CURRENT RATING : 1A AC, DC
 VOLTAGE RATING : 125V AC, DC
 CONTACT RESISTANCE : 20m Ω MAX
 INSULATION RESISTANCE : 100M Ω MIN
 WITHSTANDING VOLTAGE : 250V AC/MINUTE
 TEMPERATURE RANGE : -25°C TO +85°C
 PC BOARD HOLE : 0.5 MM DIA
 (2-3) P-1 KEY ,(4-15) P-2 KEY



POLES	PART NO.	DIMENSIONS (mm)			POLES	PART NO.	DIMENSIONS (mm)		
		A	B	C			A	B	C
2	125G1-DR02	4.25	3.05	1.25	9	125G1-DR09	13.00	11.80	10.00
3	125G1-DR03	5.50	4.30	2.50	10	125G1-DR10	14.25	12.95	11.25
4	125G1-DR04	6.75	5.55	3.75	11	125G1-DR11	15.50	14.30	12.50
5	125G1-DR05	8.00	6.80	5.00	12	125G1-DR12	16.75	15.55	13.75
6	125G1-DR06	9.25	8.05	6.25	13	125G1-DR13	18.00	16.80	15.00
7	125G1-DR07	10.50	9.30	7.50	14	125G1-DR14	19.25	18.05	16.25
8	125G1-DR08	11.75	10.55	8.75	15	125G1-DR15	20.50	19.30	17.50

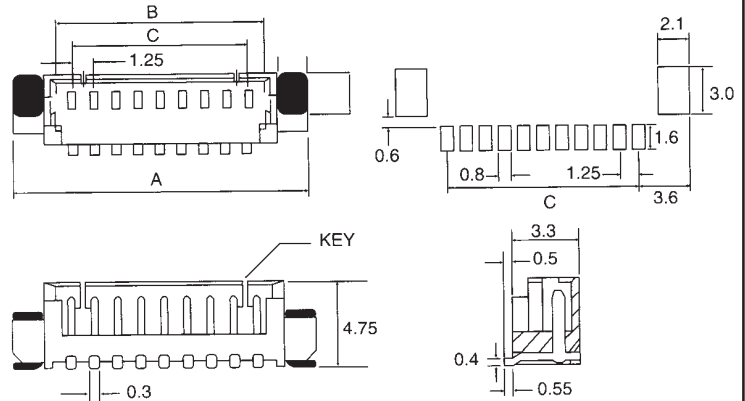
125G1 CONNECTOR SYSTEM

.049" (1.25mm) pitch wire-to-board type



125G1-MV SERIES HEADER

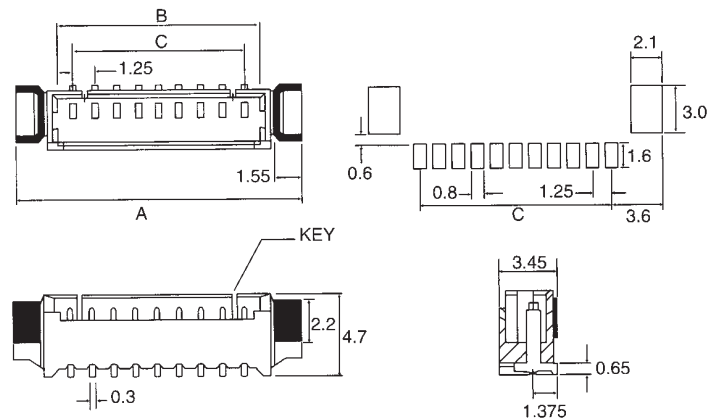
MATERIAL : NYLON 6T UL 94V-0
 PIN PHOS TIN-PLATED
 MATE WITH 125G1-H SERIES HOUSING
 CURRENT RATING : 1A AC, DC
 VOLTAGE RATING : 125V AC, DC
 CONTACT RESISTANCE : 20m δ MAX
 INSULATION RESISTANCE : 100M δ MIN
 WITHSTANDING VOLTAGE : 250V AC/MINUTE
 TEMPERATURE RANGE : -25°C TO +85°C
 PC BOARD HOLE : 0.5 MM DIA
 (2-3) P-1 KEY ,(4-15) P-2 KEY



POLES	PART NO.	DIMENSIONS (mm)			POLES	PART NO.	DIMENSIONS (mm)		
		A	B	C			A	B	C
2	125G1-MV02	7.79	3.05	1.25	9	125G1-MV09	16.54	11.80	10.00
3	125G1-MV03	9.04	4.30	2.50	10	125G1-MV10	17.79	13.05	11.25
4	125G1-MV04	10.29	5.55	3.75	11	125G1-MV11	19.04	14.30	12.50
5	125G1-MV05	11.54	6.80	5.00	12	125G1-MV12	20.29	15.55	13.75
6	125G1-MV06	12.79	8.05	6.25	13	125G1-MV13	21.54	16.80	15.00
7	125G1-MV07	14.04	9.30	7.50	14	125G1-MV14	22.79	18.05	16.25
8	125G1-MV08	15.29	10.55	8.75	15	125G1-MV15	24.04	19.30	17.50

125G1-MR SERIES HEADER

MATERIAL : NYLON 6T UL 94V-0
 PIN PHOS TIN-PLATED
 MATE WITH 125G1-H SERIES HOUSING
 CURRENT RATING : 1A AC, DC
 VOLTAGE RATING : 125V AC, DC
 CONTACT RESISTANCE : 20m δ MAX
 INSULATION RESISTANCE : 100M δ MIN
 WITHSTANDING VOLTAGE : 250V AC/MINUTE
 TEMPERATURE RANGE : -25°C TO +85°C
 PC BOARD HOLE : 0.5 MM DIA
 (2-3) P-1 KEY ,(4-15) P-2 KEY



POLES	PART NO.	DIMENSIONS (mm)			POLES	PART NO.	DIMENSIONS (mm)		
		A	B	C			A	B	C
2	125G1-MR02	7.79	3.05	1.25	9	125G1-MR09	16.54	11.80	10.00
3	125G1-MR03	9.04	4.30	2.50	10	125G1-MR10	17.79	12.95	11.25
4	125G1-MR04	10.29	5.55	3.75	11	125G1-MR11	19.04	14.30	12.50
5	125G1-MR05	11.54	6.80	5.00	12	125G1-MR12	20.29	15.55	13.75
6	125G1-MR06	12.79	8.05	6.25	13	125G1-MR13	21.54	16.80	15.00
7	125G1-MR07	14.04	9.30	7.50	14	125G1-MR14	22.79	18.05	16.25
8	125G1-MR08	15.29	10.55	8.75	15	125G1-MR15	24.04	19.30	17.50