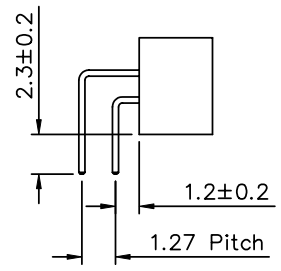
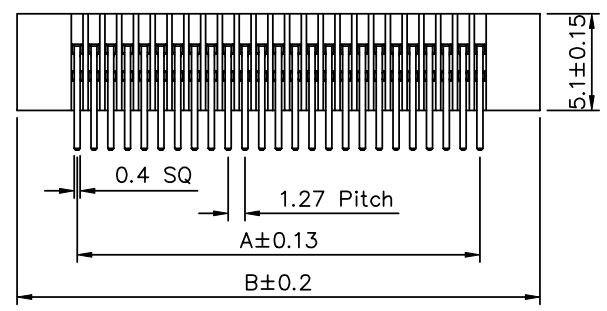
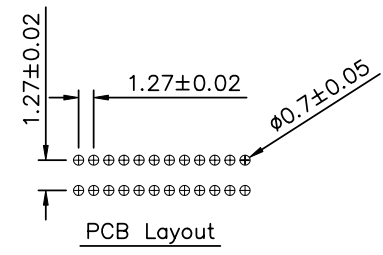
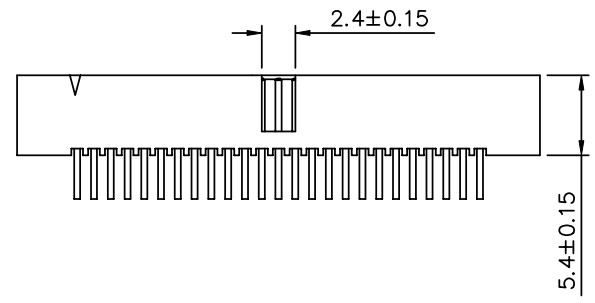


SPECIFICATIONS
 Contact:Brass
 Insulator:LCP
 Finish:Gold Flash Plated Over Nickel
 RoHS Compliant



Circuits	Dim.A	Dim.B
6	2.54	10.11
10	5.08	12.65
12	6.35	13.92
14	7.62	15.19
16	8.89	16.46
20	11.43	19.00
26	15.24	22.81
30	17.78	25.35
34	20.32	27.89
40	24.13	31.70
44	26.67	34.24
50	30.48	38.05
60	36.83	44.40
64	39.37	46.94
68	41.91	49.48
80	49.53	57.10
100	62.23	69.80

AUK A MEMBER OF AUK GROUP
太聯事業股份有限公司
AUK CONTRACTORS CO., LTD.

CATEGORY		APPROVED BY		UNLESS OTHERWISE SPECIFIED TOLERANCES ARE .X ±0.38 .XX ±0.25 ANG.
PART No. HABRXXX-H		MEI		
DRAWING No. HABRXXX-H		CHECKED BY BECKY		
		DRAWING BY TCF		
SCALE	NONE	REV.	A0	UNIT mm

NO.	REV.	REVISIONS	CHK	DATE
△ A0		NEW RELEASE	BECKY	2004/11/18