

# Customer Information Sheet

DRAWING No.: M50-315XX42P

SHEET 2 OF 2

IF IN DOUBT - ASK

©

NOT TO SCALE

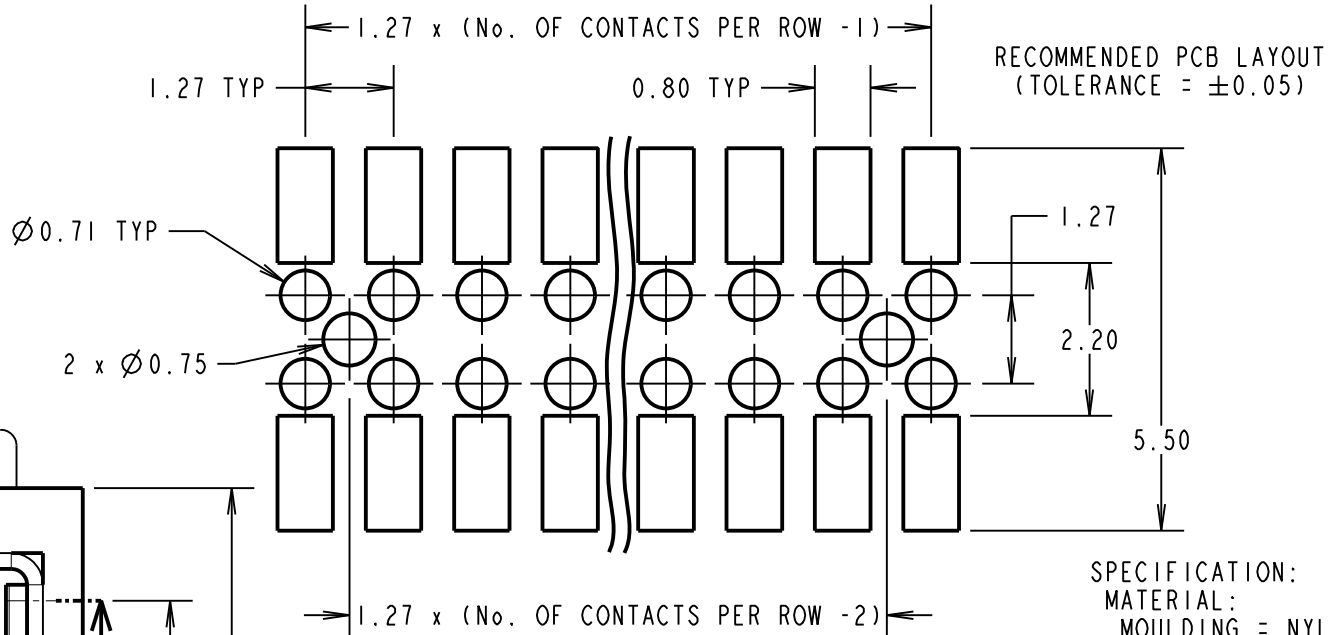
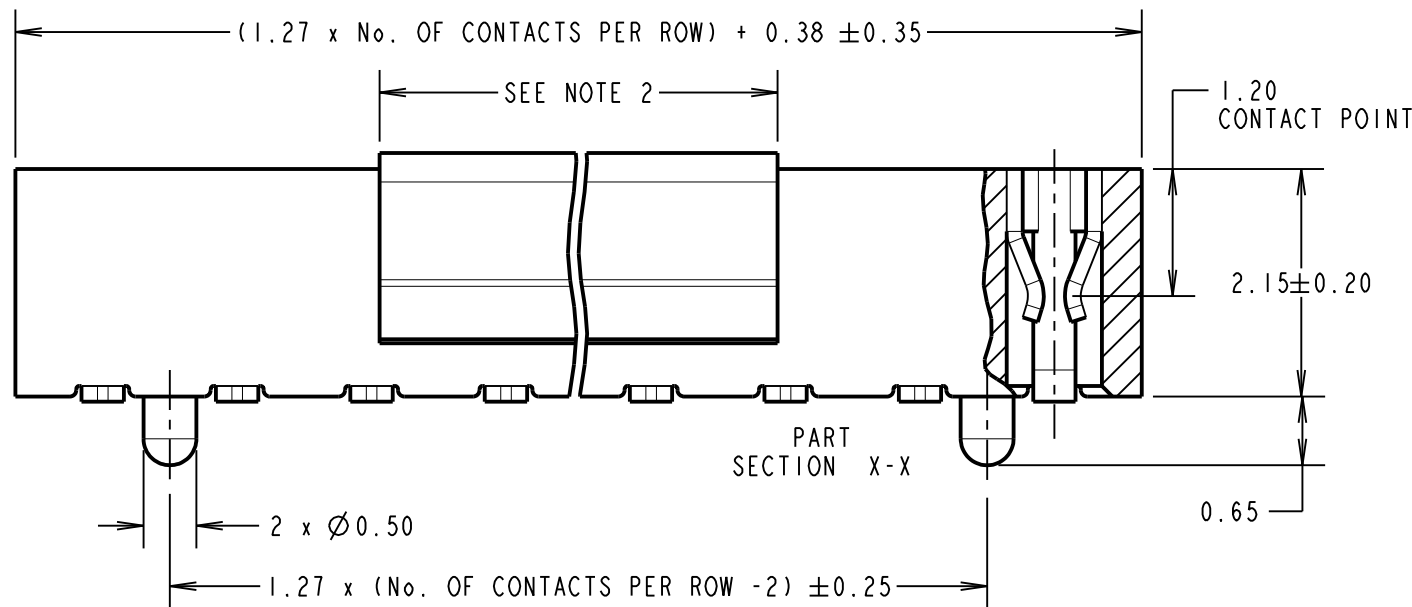
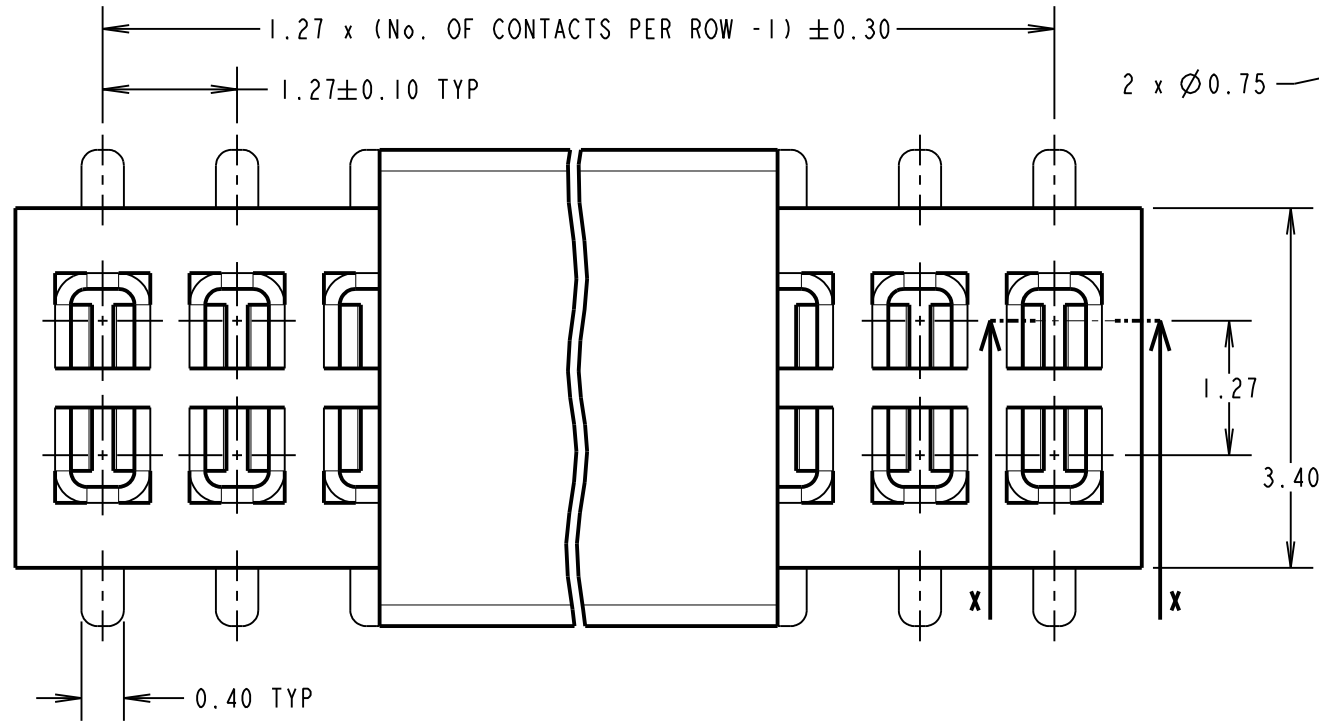
THIRD ANGLE PROJECTION

ALL DIMENSIONS IN mm

OBSOLETE

No. of contacts per row = 16 to 19, 21,  
23, 24, 26 to 29, 31 to 40

Last Time Buy = 15th June 2018



ORDER CODE

M50-315XX42P

No. OF CONTACTS PER ROW: 03 to 15, 20, 22, 25, 30

FINISH: \_\_\_\_\_

42 = GOLD FLASH + 100% TIN OVER NICKEL

SPECIFICATION:

MATERIAL:  
MOULDING = NYLON-6T, UL94V-0, BLACK  
CONTACTS = PHOSPHOR BRONZE

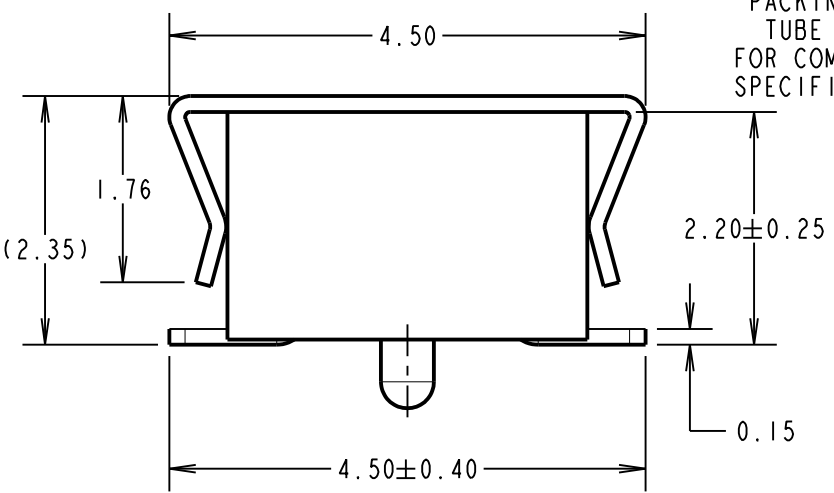
FINISH:  
CONTACTS =  $1.27\mu$  NICKEL ALL OVER,  
GOLD FLASH ON CONTACT AREA,  
 $2.54\mu$  100% TIN ON TAILS

ELECTRICAL:  
CURRENT RATING = 1A  
CONTACT RESISTANCE =  $20\text{m}\Omega$  MAX  
INSULATION RESISTANCE =  $1000\text{M}\Omega$  MIN  
DIELECTRIC WITHSTANDING = 500V AC FOR ONE MINUTE

MECHANICAL:  
DURABILITY = 300 CYCLES MIN  
INSERTION FORCE = 1.5N MAX PER CONTACT  
WITHDRAWAL FORCE = 0.2N MIN PER CONTACT

ENVIRONMENTAL:  
TEMPERATURE RANGE =  $-40^\circ\text{C}$  TO  $+105^\circ\text{C}$

PACKING:  
TUBE  
FOR COMPLETE SPECIFICATION, SEE COMPONENT SPECIFICATION C029XX (LATEST ISSUE)



MSP	10	08.08.16	13112
NAME	ISS.	DATE	C/NOTE
APPROVED:		M.PERREN	
CHECKED:		S.BENNETT	
DRAWN:		J.EVANS	
CUSTOMER REF.:			
ASSEMBLY DRG:			

NOTE:

- ALL TOLERANCES ARE  $\pm 0.15$  UNLESS OTHERWISE STATED.
- PICK AND PLACE CAP LENGTH = 4.20mm FOR 03 TO 05 CONTACTS PER ROW, 6.90mm FOR 06 TO 40 CONTACTS PER ROW.

<p>www.harwin.com technical@harwin.com</p>	THIS DRAWING AND ANY INFORMATION OR DESCRIPTIVE MATTER SET OUT HEREON ARE CONFIDENTIAL AND COPYRIGHT PROPERTY OF THE HARWIN GROUP AND MUST NOT BE DISCLOSED, LOANED, COPIED OR USED FOR MANUFACTURING, TENDERING OR FOR ANY OTHER PURPOSE WITHOUT THEIR WRITTEN PERMISSION.	TOLERANCES $\times$ = $\pm 1\text{mm}$ $\times.X$ = $\pm 0.50\text{mm}$ $\times.XX$ = $\pm 0.10\text{mm}$ $\times.XXX$ = $\pm 0.01\text{mm}$ ANGLES = $\pm 5^\circ$ UNLESS STATED	MATERIAL: SEE ABOVE  FINISH: SEE ABOVE  S/AREA: mm <sup>2</sup>	TITLE: 1.27mm PITCH DIL SMT VERT. LOW-PROFILE SOCKET ASSY (P&P)  DRAWING NUMBER: <b>M50-315XX42P</b>	SHT 2 OF 2
					M50-315XX42P