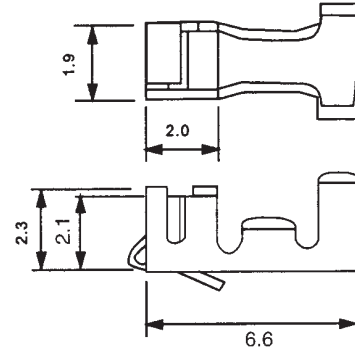
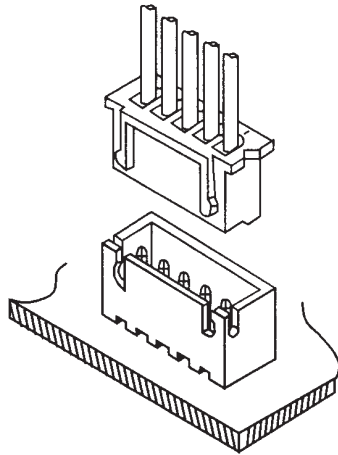


250G2 CONNECTOR SYSTEM

.098" (2.5mm) pitch wire-to-board type

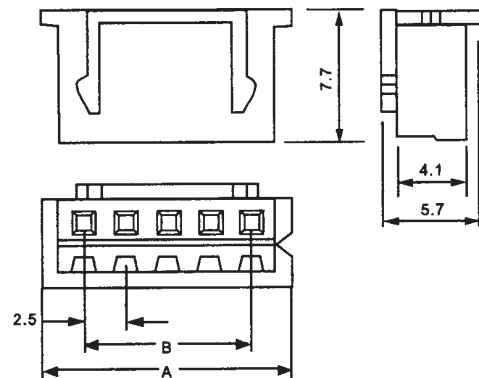
SST



PART NO.	WIRE RANGE		MATERIAL/	THICKNESS	INSULATION	REEL
	AWG#	mm ²	FINISH	mm	O.D.(mm)	PCS
250G2-T	22-28	0.33-0.08	BRASS/TIN	0.20	1.9-1.2	8000
250G2-TP	22-28	0.33-0.08	PHOS/TIN	0.20	1.9-1.2	8000

250G2-H SERIES HOUSING

MATERIAL : NYLON 66 UL 94V-0
 ACCEPT 250G2-T(TP) TERMINAL
 MATE WITH 250G2-V(R) HEADER
 CURRENT RATING : 3A AC,DC
 VOLTAGE RATING : 250V AC,DC
 CONTACT RESISTANCE : 20m δ MAX
 INSULATION RESISTANCE : 1000M δ MIN
 WITHSTANDING VOLTAGE : 1000V AC/MINUTE
 TEMPERATURE RANGE : -25°C TO +85°C



POLES	PART NO.	DIMENSIONS (mm)		POLES	PART NO.	DIMENSIONS (mm)	
		A	B			A	B
2	250G2-H02	7.30	2.50	9	250G2-H09	24.80	20.00
3	250G2-H03	9.80	5.00	10	250G2-H10	27.30	22.50
4	250G2-H04	12.30	7.50	11	250G2-H11	29.80	25.00
5	250G2-H05	14.80	10.00	12	250G2-H12	32.30	27.50
6	250G2-H06	17.30	12.50	13	250G2-H13	34.80	30.00
7	250G2-H07	19.80	15.00	14	250G2-H14	37.30	32.50
8	250G2-H08	22.30	17.50	15	250G2-H15	39.80	35.00

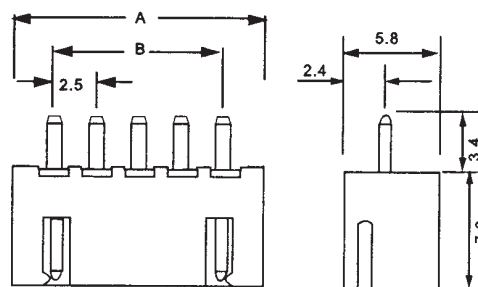
250G2 CONNECTOR SYSTEM

.098" (2.5mm) pitch wire-to-board type



250G2-V SERIES HEADER

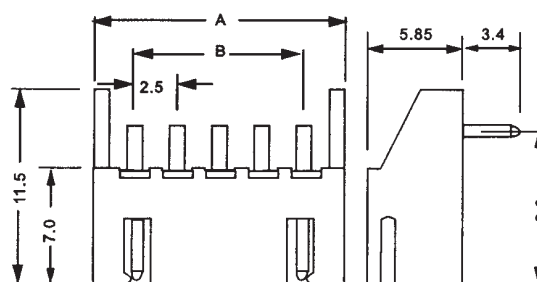
MATERIAL : NYLON 66 UL 94V-0
 PIN BRASS TIN-PLATED
 MATE WITH 250G2-H HOUSING
 CURRENT RATING : 3A AC, DC
 VOLTAGE RATING : 250V AC, DC
 CONTACT RESISTANCE : 20m δ MAX
 INSULATION RESISTANCE : 1000M δ MIN
 WITHSTANDING VOLTAGE : 800V AC/MINUTE
 TEMPERATURE RANGE : -25°C TO +85°C
 SQ PIN SIZE : 0.64 MM
 PC BOARD HOLE : 0.9 MM DIA
 PC BOARD THICKNESS : 1.6 MM



POLES	PART NO.	DIMENSIONS (mm)		POLES	PART NO.	DIMENSIONS (mm)	
		A	B			A	B
2	250G2-V02	7.50	2.50	9	250G2-V09	25.00	20.00
3	250G2-V03	10.00	5.00	10	250G2-V10	27.50	22.50
4	250G2-V04	12.50	7.50	11	250G2-V11	30.00	25.00
5	250G2-V05	15.00	10.00	12	250G2-V12	32.50	27.50
6	250G2-V06	17.50	12.50	13	250G2-V13	35.00	30.00
7	250G2-V07	20.00	15.00	14	250G2-V14	37.50	32.50
8	250G2-V08	22.50	17.50	15	250G2-V15	40.00	35.00

250G2-R SERIES HEADER

MATERIAL : NYLON 66 UL 94V-0
 PIN BRASS TIN-PLATED
 MATE WITH 250G2-H HOUSING
 CURRENT RATING : 3A AC, DC
 VOLTAGE RATING : 250V AC, DC
 CONTACT RESISTANCE : 20m δ MAX
 INSULATION RESISTANCE : 1000M δ MIN
 WITHSTANDING VOLTAGE : 800V AC/MINUTE
 TEMPERATURE RANGE : -25°C TO +85°C
 SQ PIN SIZE : 0.64 MM
 PC BOARD HOLE : 0.9 MM DIA
 PC BOARD THICKNESS : 1.6 MM



POLES	PART NO.	DIMENSIONS (mm)		POLES	PART NO.	DIMENSIONS (mm)	
		A	B			A	B
2	250G2-R02	7.50	2.50	9	250G2-R09	25.00	20.00
3	250G2-R03	10.00	5.00	10	250G2-R10	27.50	22.50
4	250G2-R04	12.50	7.50	11	250G2-R11	30.00	25.00
5	250G2-R05	15.00	10.00	12	250G2-R12	32.50	27.50
6	250G2-R06	17.50	12.50	13	250G2-R13	35.00	30.00
7	250G2-R07	20.00	15.00	14	250G2-R14	37.50	32.50
8	250G2-R08	22.50	17.50	15	250G2-R15	40.00	35.00