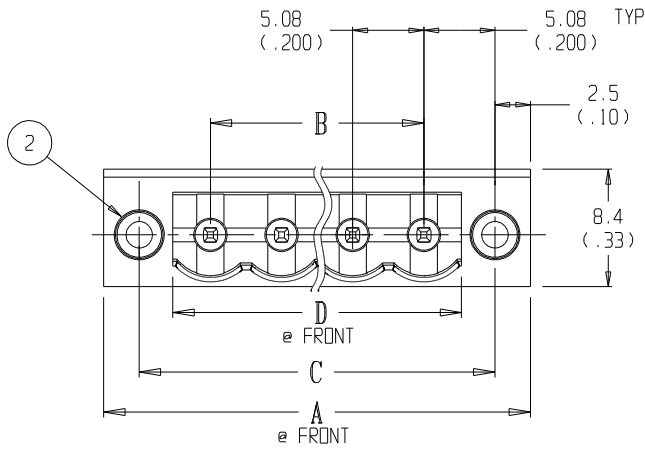
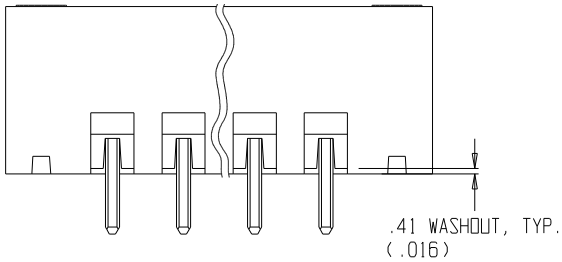
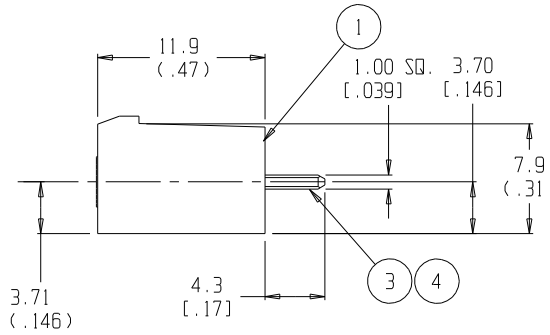


4 CIRCUIT HEADER ASSEMBLY SHOWN



RECOMMENDED PLATED THRU HOLE PATTERN



NOTES:

1. MATERIAL: SEE TABLE
2. FINISHES: SEE TABLE
3. PRODUCT SPECIFICATION: NOT REQUIRED
4. PACKAGING: NOT REQUIRED
5. MATES WITH: 86 SERIES PLUGS
6. INCH DIMS ARE SHOWN IN PARENTHESIS (XXX)
7. "XX" REFERS TO THE NUMBER OF CIRCUITS.

4	XX	HEADER PIN	BRASS	TIN
3	XX	HEADER PIN	BRASS	GOLD
2	2	INSERT NUT (M2.5 x .45)	BRASS	BRIGHT NICKEL
1	1	HEADER MOLDING	NYLON 6/6	BLACK
ITEM	QTY.	DESCRIPTION	MATERIAL	FINISH

EC NO. RELEASED WH 12-26-03	QUALITY SYMBOLS
MAJOR	GENERAL TOLERANCES: (UNLESS SPECIFIED)
CRITICAL	mm INCH
	4 PLACES ±.0015
	3 PLACES ±.038 ±.005
	2 PLACES ±.13 ±.01
	1 PLACE ±.3
	ANGULAR: ±2°
	DRAFT WHERE APPLICABLE MUST REMAIN WITHIN DIMENSIONS

SCALE 3:1	DESIGN UNITS	THIRD ANGLE PROJECTION
mm INCH	<input type="checkbox"/> mm <input checked="" type="checkbox"/> INCH	
DRAWN BY & DATE W. HOWARD 12-26-03	TITLE: HEADER, VERTICAL W/MTG END	
CHECKED BY & DATE	APPROVED BY & DATE	
CAD FILENAME 8656XX	MATERIAL NO. SEE TABLE	DRAWING NO. SD-39860-007
THIS DRAWING CONTAINS INFORMATION THAT IS PROPRIETARY TO MOLEX INCORPORATED AND SHOULD NOT BE USED WITHOUT WRITTEN PERMISSION.		SHEET NO. 1 OF 2

PROJECT NO. N/A	SHT	REV
DIMENSIONS:	REVISE ON CAD ONLY	
<input checked="" type="checkbox"/> mm INCH	<input type="checkbox"/> INCH mm	<input type="checkbox"/> mm ONLY
MOLEX INCORPORATED		
THIS DRAWING CONTAINS INFORMATION THAT IS PROPRIETARY TO MOLEX INCORPORATED AND SHOULD NOT BE USED WITHOUT WRITTEN PERMISSION.		SIZE B

MATERIAL NO. (DPT -10AV)	MATERIAL NO. (DPT -11AV)	MATERIAL NO. STD	MATERIAL NO. (DPT -G30)	NUMBER OF CIRCUITS "XX"	DIM. "A" ±.38 [.015]	DIM. "B"	DIM. "C" ±.38 [.015]	DIM. "D" ±.13 [.005] -.38 [.015]
39862-1102	39863-1102	39860-1102	39861-1102	02	20.32 [1.800]	5.08 [1.200]	15.24 [1.600]	10.46 [1.412]
39862-1103	39863-1103	39860-1103	39861-1103	03	25.40 [1.000]	10.16 [1.400]	20.32 [1.800]	15.54 [1.612]
39862-1104	39863-1104	39860-1104	39861-1104	04	30.48 [1.200]	15.24 [1.600]	25.40 [1.000]	20.62 [1.812]
39862-1105	39863-1105	39860-1105	39861-1105	05	35.56 [1.400]	20.32 [1.800]	30.48 [1.200]	25.70 [1.012]
39862-1106	39863-1106	39860-1106	39861-1106	06	40.64 [1.600]	25.40 [1.000]	35.56 [1.400]	30.78 [1.212]
39862-1107	39863-1107	39860-1107	39861-1107	07	45.72 [1.800]	30.48 [1.200]	40.64 [1.600]	35.86 [1.412]
39862-1108	39863-1108	39860-1108	39861-1108	08	50.80 [2.000]	35.56 [1.400]	45.72 [1.800]	40.94 [1.612]
39862-1109	39863-1109	39860-1109	39861-1109	09	55.88 [2.200]	40.64 [1.600]	50.80 [2.000]	46.02 [1.812]
39862-1110	39863-1110	39860-1110	39861-1110	10	60.96 [2.400]	45.72 [1.800]	55.88 [2.200]	51.10 [2.012]
39862-1111	39863-1111	39860-1111	39861-1111	11	66.04 [2.600]	50.80 [2.000]	60.96 [2.400]	56.18 [2.212]
39862-1112	39863-1112	39860-1112	39861-1112	12	71.12 [2.800]	55.88 [2.200]	66.04 [2.600]	61.26 [2.412]
39862-1113	39863-1113	39860-1113	39861-1113	13	76.20 [3.000]	60.96 [2.400]	71.12 [2.800]	66.34 [2.612]
39862-1114	39863-1114	39860-1114	39861-1114	14	81.28 [3.200]	66.04 [2.600]	76.20 [3.000]	71.42 [2.812]
39862-1115	39863-1115	39860-1115	39861-1115	15	86.36 [3.400]	71.12 [2.800]	81.28 [3.200]	76.50 [3.012]
39862-1116	39863-1116	39860-1116	39861-1116	16	91.74 [3.600]	76.20 [3.000]	86.36 [3.400]	81.58 [3.212]
39862-1117	39863-1117	39860-1117	39861-1117	17	96.82 [3.800]	81.28 [3.200]	91.74 [3.600]	86.66 [3.412]
39862-1118	39863-1118	39860-1118	39861-1118	18	101.90 [4.000]	86.36 [3.400]	96.82 [3.800]	91.74 [3.612]
39862-1119	39863-1119	39860-1119	39861-1119	19	106.68 [4.200]	91.74 [3.600]	101.90 [4.000]	96.82 [3.812]
39862-1120	39863-1120	39860-1120	39861-1120	20	111.76 [4.400]	96.82 [3.800]	106.68 [4.200]	101.90 [4.012]
39862-1121	39863-1121	39860-1121	39861-1121	21	116.84 [4.600]	101.90 [4.000]	111.76 [4.400]	106.98 [4.212]
39862-1122	39863-1122	39860-1122	39861-1122	22	121.92 [4.800]	106.68 [4.200]	116.84 [4.600]	112.06 [4.412]
39862-1123	39863-1123	39860-1123	39861-1123	23	127.00 [5.000]	111.76 [4.400]	121.92 [4.800]	117.14 [4.612]
39862-1124	39863-1124	39860-1124	39861-1124	24	132.08 [5.200]	116.84 [4.600]	127.00 [5.000]	122.22 [4.812]

EC NO. RELEASED WH 12-26-03 DRWN: CH'K: APPR:	DESCRIPTION MAJOR CRITICAL C	GENERAL TOLERANCES: (UNLESS SPECIFIED)		SCALE 3:1	DESIGN UNITS <input type="checkbox"/> mm <input checked="" type="checkbox"/> INCH	THIRD ANGLE PROJECTION	PROJECT NO. N/A	DIMENSIONS: <input checked="" type="checkbox"/> mm <input type="checkbox"/> INCH <input type="checkbox"/> mm ONLY	SHT REV
		4 PLACES ±.0015	3 PLACES ±.038 ±.005	DRAWN BY & DATE W. HOWARD 12-26-03	TITLE: HEADER, VERTICAL W/MTG END		MOLEX INCORPORATED		
		2 PLACES ±.13 ±.01	1 PLACE ±.3	CHECKED BY & DATE	SHEET NO. 2 OF 2				
		ANGULAR: ±2°		APPROVED BY & DATE	CAD FILENAME 8656XX	MATERIAL NO. SEE TABLE	DRAWING NO. SD-39860-007	SIZE B	

DRAFT WHERE APPLICABLE MUST REMAIN WITHIN DIMENSIONS

THIS DRAWING CONTAINS INFORMATION THAT IS PROPRIETARY TO MOLEX INCORPORATED AND SHOULD NOT BE USED WITHOUT WRITTEN PERMISSION.