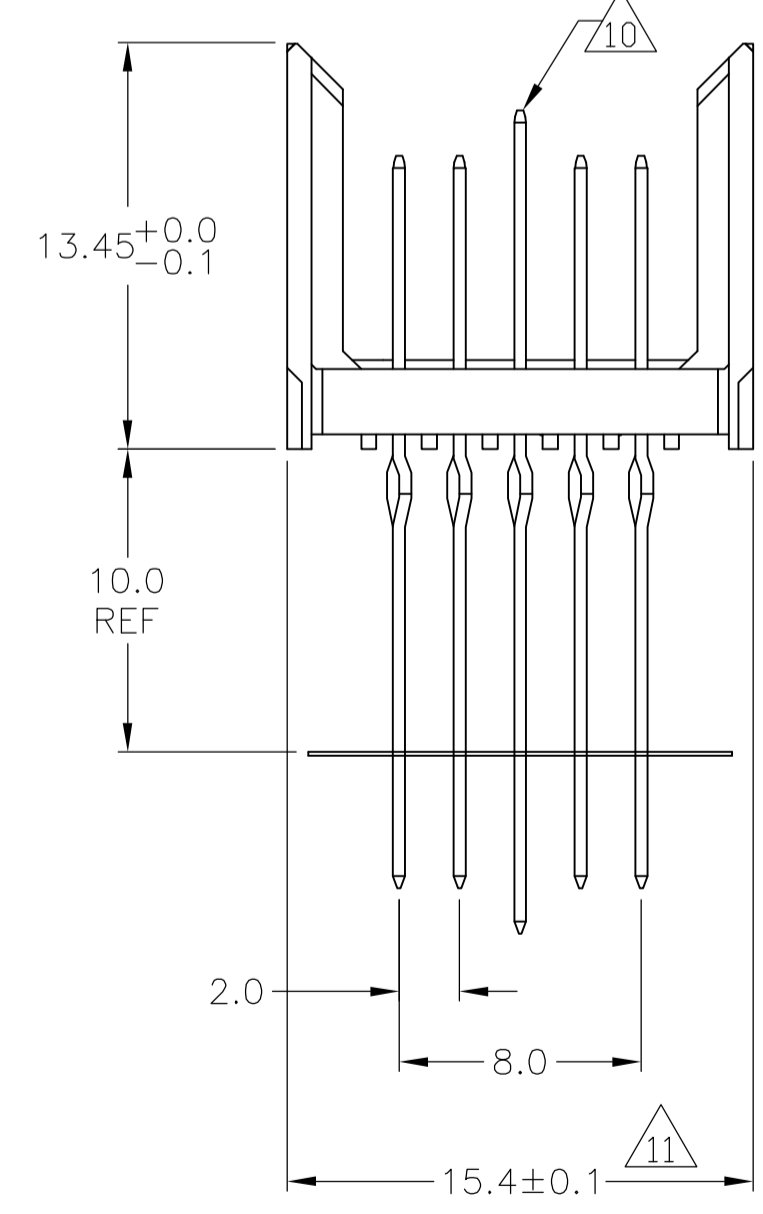
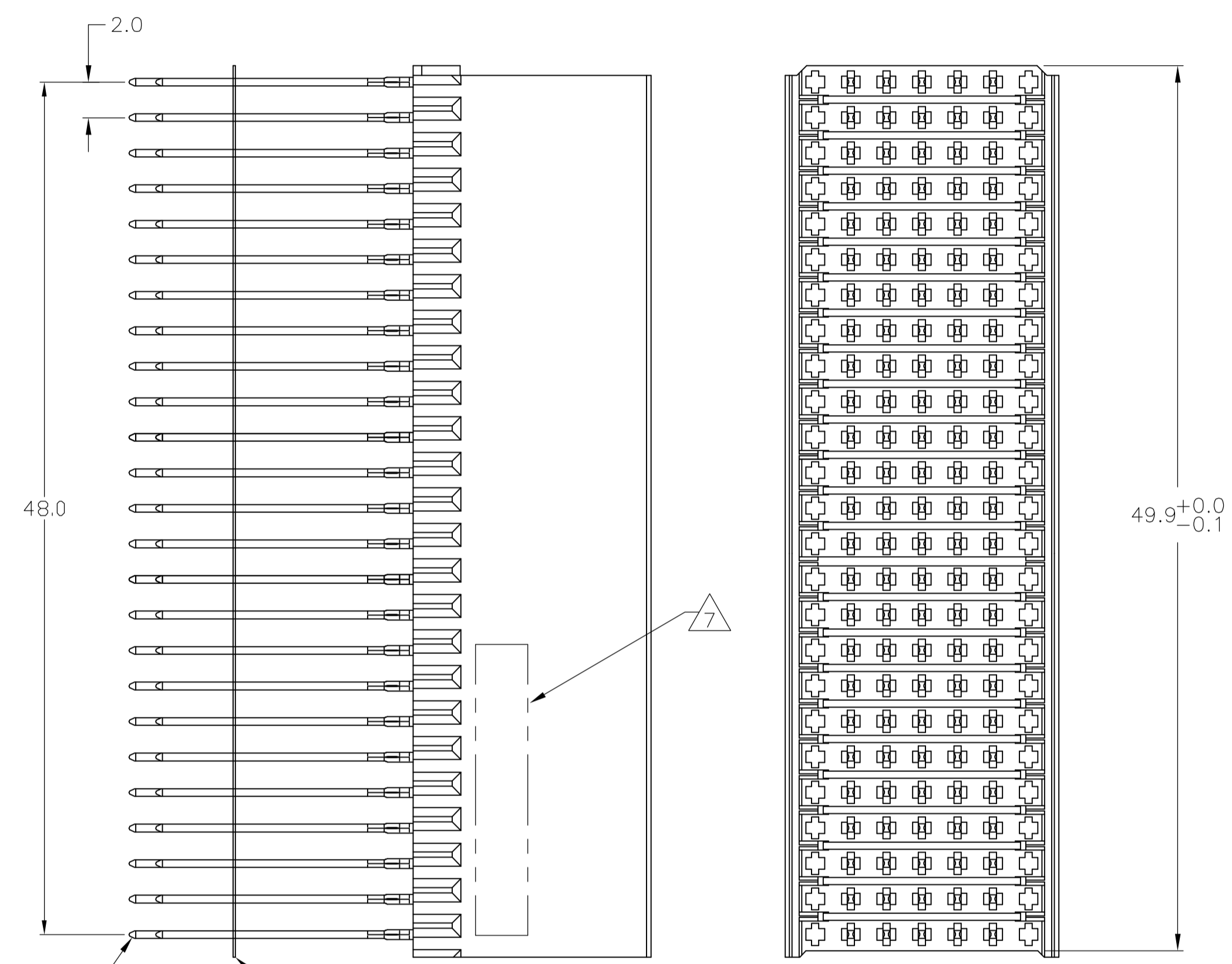
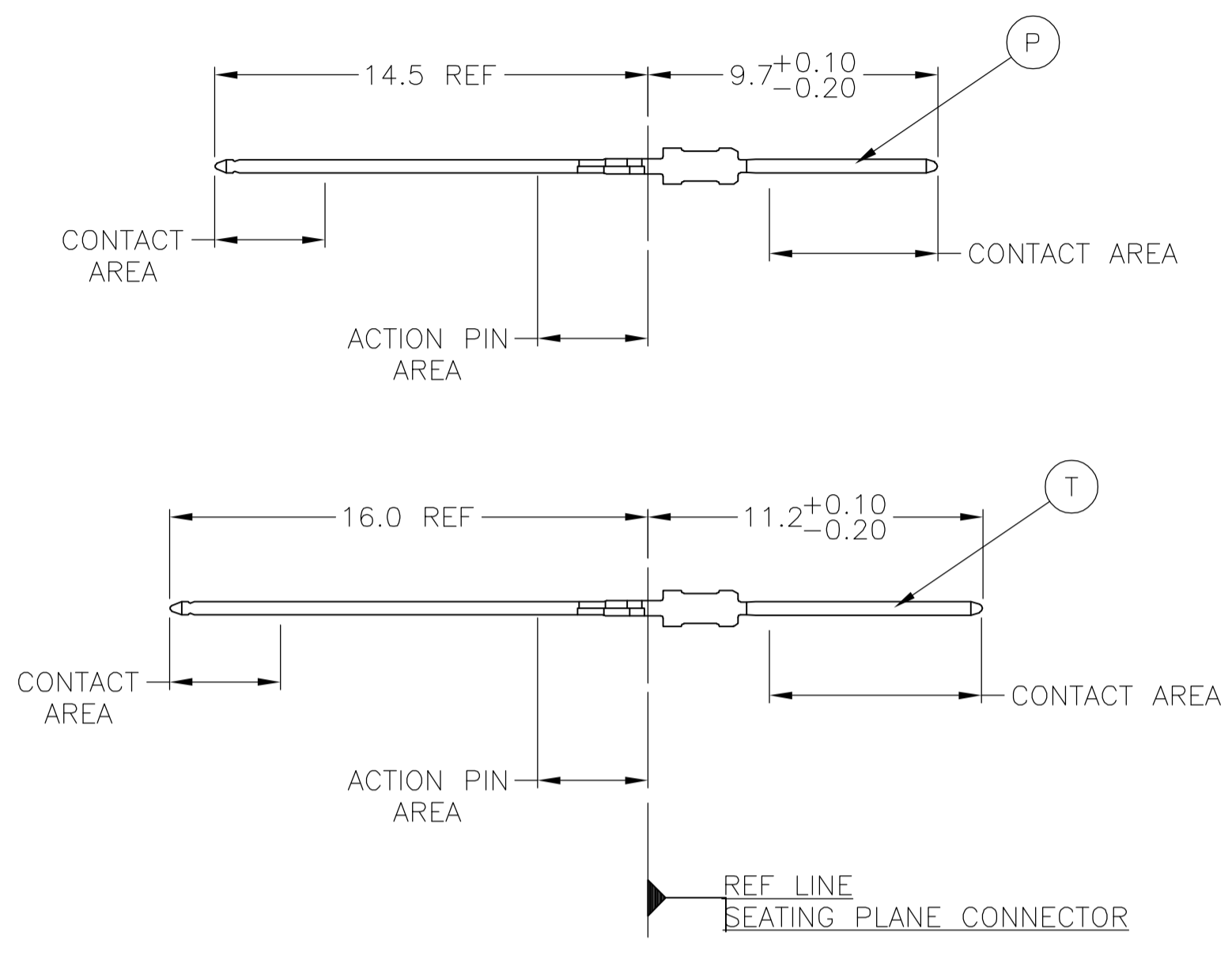


LOC		DIST		REVISIONS				
AD	00	REV	PER	EC	OS12-0307-05	DATE	DWN	APVD
D						25MAY06	BC	GS

### CONNECTOR ASSEMBLY EXAMPLARY LOADED



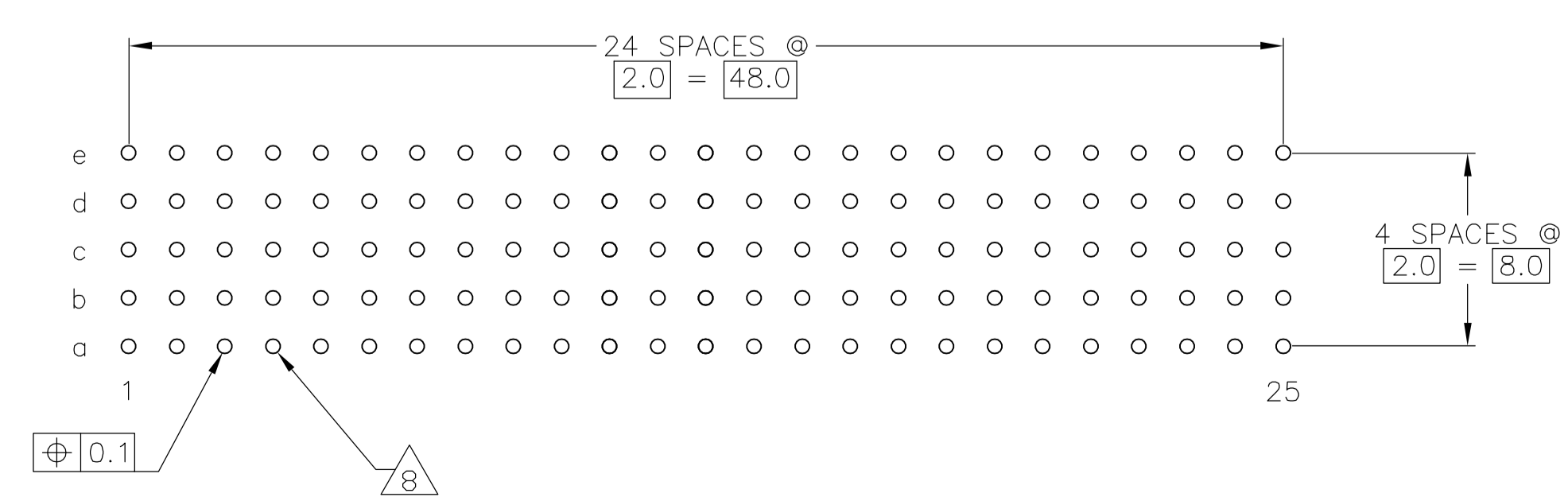
### CONTACT DIMENSIONS SCALE 5:1



### CONTACT LAYOUT

	z	a	b	c	d	e	f
1		P	P	T	P	P	
2		P	P	T	P	P	
3		P	P	T	P	P	
4		P	P	T	P	P	
5		P	P	T	P	P	
6		P	P	T	P	P	
7		P	P	T	P	P	
8		P	P	T	P	P	
9		P	P	T	P	P	
10		P	P	T	P	P	
11		P	P	T	P	P	
12		P	P	T	P	P	
13		P	P	T	P	P	
14		P	P	T	P	P	
15		P	P	T	P	P	
16		P	P	T	P	P	
17		P	P	T	P	P	
18		P	P	T	P	P	
19		P	P	T	P	P	
20		P	P	T	P	P	
21		P	P	T	P	P	
22		P	P	T	P	P	
23		P	P	T	P	P	
24		P	P	T	P	P	
25		P	P	T	P	P	

### RECOMMENDED PCB-HOLE LAYOUT COMPONENT SIDE SHOWN



### PLATED THRU HOLES PARAMETERS REFERENCE APPLICATION SPECIFICATION

2 6 12	1-352455-9
2 5 12	352455-9
2 4	352455-4
2 3	352455-1
FINISH	PART NUMBER

THIS DRAWING IS A CONTROLLED DOCUMENT.

DIMENSIONS:	TOLERANCES UNLESS OTHERWISE SPECIFIED:	DIN B CARBO 07SEP05	tyco Electronics	Tyco Electronics Corporation Harrisburg, Pa 17105-3608
mm	0 PLC ± - 1 PLC ± 0.1 2 PLC ± - 3 PLC ± - 4 PLC ANGLES ± -	CHK G SKIPPER 07SEP05	APVD G SKIPPER 07SEP05	NAME
		PRODUCT SPEC		
		108-19082		
MATERIAL 1		APPLICATION SPEC		
SEE TABLE		114-19029		
FINISH		SIZE	CAGE CODE	DRAWING NO
		A1	00779	352455
CUSTOMER DRAWING		RESTRICTED TO	SCALE	SHEET
			4:1	1 OF 2

THIS DRAWING IS UNPUBLISHED. RELEASED FOR PUBLICATION  
 © COPYRIGHT BY TYCO ELECTRONICS CORPORATION. ALL RIGHTS RESERVED.

LOC		DIST		REVISIONS			
AD	00	REV	DATE	BY	APP'D	DATE	BY
		1	SEE SHEET 1				

- 1 MATERIAL:  
CONTACT: PHOSPHOR BRONZE.  
HOUSING: GLASS-FILLED POLYESTER.
- 2 GENERAL PLATING SPECIFICATION: UNDERPLATING  
(ENTIRE CONTACT): 1.27µm MIN NICKEL AND ACTION  
PIN: 0.5µm MIN TIN LEAD.  
FOR PLATING OF MATING SURFACES SEE APPLICABLE  
SPECIFICATION REFERENCE FOR EACH DASH NUMBER.
- 3 CONFORMS TO ALL TESTING ACCORDING TO IEC 61076-4-101  
PERFORMANCE LEVEL 2.
- 4 CONFORMS TO ALL TESTING ACCORDING TO IEC 61076-4-101  
PERFORMANCE LEVEL 1.
- 5 CONNECTOR TESTED AND QUALIFIED AGAINST TELCORDIA GR-1217-CORE QUALITY LEVEL 3,  
CENTRAL OFFICE APPLICATIONS.
- 6 CONNECTOR TESTED AND QUALIFIED AGAINST TELCORDIA GR-1217-CORE QUALITY LEVEL 3,  
UNCONTROLLED ENVIROMENT APPLICATIONS.
- 7 CONNECTOR MARKED WITH PART NUMBER AND DATE CODE.  
ADDITIONAL CHARACTERS OR MARKINGS, AS WELL AS THE LOCATION OF THE MARKINGS,  
MAY BE ADDED FOR TRACEABILITY BASED UPON MANUFACTURERS DISCRETION.
- 8 PLATED-THROUGH HOLES AT 2x2mm SQUARE GRID  
PATTERN DEFINED BY CONTACT LAYOUT.
- 9 FOR ACTUAL PIN LOADING SEE "CONTACT LAYOUT".
- 10 FOR ACTUAL PIN DIMENSIONS SEE "CONTACT DIMENSIONS".
- 11 TO BE MEASURED AT BOTTOM OF SHROUD.
- 12 CONNECTOR LUBRICATED WITH BELCORE APPROVED LUBRICANT,  
TECHNICAL REFERENCE: TR-NWT-001217 ISSUE 1, SEP 1992.

THIS DRAWING IS A CONTROLLED DOCUMENT.		DWG B CARBO	07SEP05	<b>tyco</b> Electronics	Tyco Electronics Corporation Harrisburg, Pa 17105-3608	
		CHK G SKIPPER	07SEP05		NAME MALE ASSEMBLY, Z-PACK 2mm HM, TYPE B	
DIMENSIONS: mm		TOLERANCES UNLESS OTHERWISE SPECIFIED:		APVD G SKIPPER	PRODUCT SPEC	
		0 PLC	± -	108-19082		APPLICATION SPEC
		1 PLC	± 0.1	114-19029		RESTRICTED TO
		2 PLC	± -	SIZE		CAGE CODE
		3 PLC	± -	A1		DRAWING NO
		4 PLC	± -	00779		352455
		ANGLES	± ± -	CUSTOMER DRAWING		SCALE
MATERIAL SEE SHEET 1	FINISH SEE SHEET 1	WEIGHT	-	SHEET 2 OF 2		REV D