

TECHNICAL CHARACTERISTICS

MATERIAL  
 INSULATOR: PBT  
 COLOR: BLACK  
 CONTACT MATERIAL: COPPER ALLOY  
 CONTACT TYPE: STAMPED  
 CONTACT PLATING: GOLD  
 QUALITY CLASS: 3 AS PER CECC 75 301-802  
 PITCH: 2.54MM

ENVIRONMENTAL  
 OPERATING TEMPERATURE: -40 UP TO 125°C  
 FLAMABILITY RATING: UL94-V0  
 COMPLIANCE: LEAD FREE AND ROHS

ELECTRICAL  
 CURRENT RATING: 3A  
 WORKING VOLTAGE: 250V AC  
 INSULATOR RESISTANCE: >1000 mOHM  
 DIELECTRIC WITHSTANDING VOLTAGE: 500V AC/MN  
 CONTACT RESISTANCE: 20 mOHM MAX

SOLDERING  
 WAVE PROCESS ONLY

PACKAGING  
 BAG

DIMENSION  
 A= 2.54 x (NB. PIN / 2-1)  
 B= 2.54 x (NB. PIN / 2)

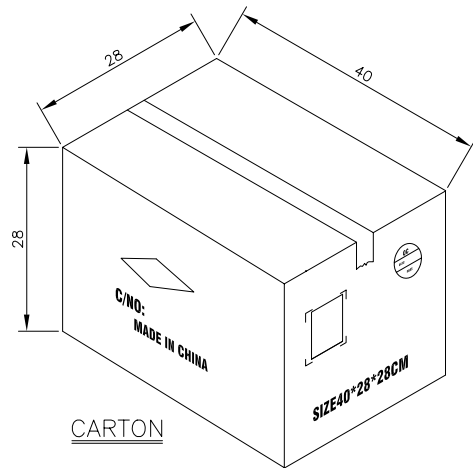
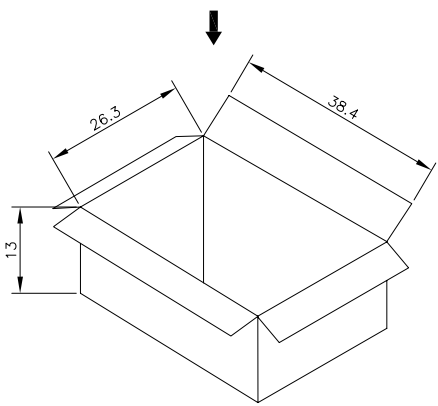
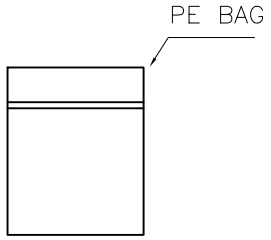
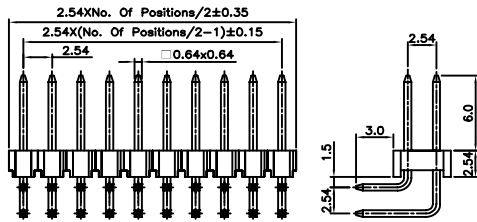
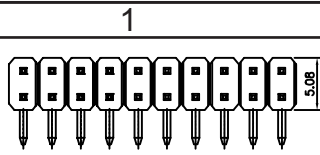
RoHS Compliant			
G	12-JUL-10	UPDATE	JC
F	08-JUL-10	PACKAGING	JC
E	23-NOV-07	MODIFICATIONS	EC
D	07-DEC-06	DRAW	EC
C	29-MAR-04	LEAD FREE	JP
B	15-MAR-04		JP
H	08-APR-13	DIMENSION	AR
REV	DATE	FILE	BY

PROJECTION:	
APPROVAL: RJ	

GENERAL TOLERANCE
.X = +/- 0.2
.XX = +/- 0.15
UNIT: MM
SCALE:
SHEET: 1/2
DRAW: PEARL

	DESCRIPTION: 2.54MM ANGLED DUAL PIN HEADER
	WERI PART NO: 6130xx 21021

SIZE	



Note:  
 1.Dimension  
 Inner Carton Size:38.4\*26.3\*13(CM)  
 Carton Size:40\*28\*28(CM)  
 2.Quantity:  
 2 Inner Carton/Carton

Pin	Pcs/Bag	Pcs/Inner Carton	Pcs/Carton	Pin	Pcs/Bag	Pcs/Inner Carton	Pcs/Carton
4	2000	20000	40000	44	100	2000	4000
6	2000	20000	40000	46	100	2000	4000
8	1000	10000	20000	48	100	2000	4000
10	1000	10000	20000	50	100	2000	4000
12	500	5000	10000	52	100	2000	4000
14	500	5000	10000	54	100	2000	4000
16	500	5000	10000	56	100	2000	4000
18	500	5000	10000	58	100	2000	4000
20	500	5000	10000	60	100	2000	4000
22	500	5000	10000	62	100	2000	4000
24	300	3000	6000	64	100	2000	4000
26	300	3000	6000	66	100	2000	4000
28	300	3000	6000	68	100	2000	4000
30	300	3000	6000	70	100	2000	4000
32	300	3000	6000	72	100	2000	4000
34	300	3000	6000	74	100	2000	4000
36	300	3000	6000	76	100	2000	4000
38	300	3000	6000	78	100	2000	4000
40	100	2000	4000	80	100	2000	4000
42	100	2000	4000				

RoHS Compliant				PROJECTION: 	GENERAL TOLERANCE .X = +/- 0.2 .XX = +/- 0.15		DESCRIPTION: 2.54MM ANGLED DUAL PIN HEADER	SIZE <b>A4</b>
G								
F					SCALE:			
E					SHEET: 2/2			
D					DRAW: PEARL			
C								
B								
A								
REV	DATE	FILE	BY					