

**NUMERICAL INDEX  
TO INDUSTRIAL  
GRADE POWER  
TRANSISTORS  
(Continued)**

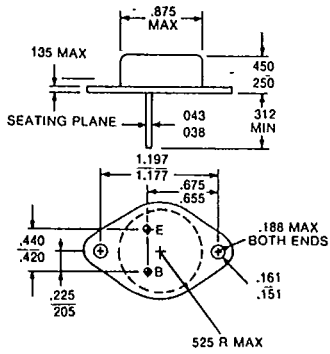
Type	Polarity	I <sub>c</sub> Max Amps	V <sub>CE0</sub> (SUS) Volts	Package
2N2812	NPN	10.0	50	TO-61
2N2813	NPN	10.0	70	TO-61
2N2814	NPN	10.0	70	TO-61
2N2815	NPN	20.0	80	TO-63
2N2816	NPN	20.0	100	TO-63
2N2817	NPN	20.0	150	TO-63
2N2818	NPN	20.0	200	TO-63
2N2819	NPN	25.0	80	TO-63
2N2821	NPN	25.0	150	TO-63
2N2822	NPN	25.0	200	TO-63
2N2823	NPN	30.0	80	TO-63
2N2824	NPN	30.0	100	TO-63
2N2825	NPN	30.0	150	TO-63
2N2858	NPN	3.0	80	TO-5
2N2859	NPN	3.0	100	TO-5
2N2877	NPN	5.0	50	TO-111/TO-59
2N2878	NPN	5.0	50	TO-111/TO-59
2N2879	NPN	5.0	70	TO-111/TO-59
2N2880	NPN	5.0	70	TO-111/TO-59
2N2881	PNP	2.0	60	TO-5
2N2882	PNP	2.0	100	TO-5
2N2892	NPN	5.0	80	TO-111/TO-59
2N2893	NPN	5.0	80	TO-111/TO-59
2N2911	NPN	3.0	125	TO-5
2N2983	NPN	3.0	80	TO-5
2N2984	NPN	3.0	120	TO-5
2N2985	NPN	3.0	80	TO-5
2N2986	NPN	3.0	120	TO-5
2N2987	NPN	1.0	80	TO-5
2N2988	NPN	1.0	100	TO-5
2N2989	NPN	1.0	80	TO-5
2N2990	NPN	1.0	100	TO-5
2N2991	NPN	1.0	80	MT-27
2N2992	NPN	1.0	100	MT-27
2N2993	NPN	1.0	80	MT-27
2N2994	NPN	1.0	100	MT-27
2N3016	NPN	2.5	50	TO-5
2N3017	NPN	5.0	50	MT-27
2N3018	NPN	10.0	50	TO-61
2N3021	PNP	3.0	30	TO-3
2N3022	PNP	3.0	45	TO-3
2N3023	PNP	3.0	60	TO-3
2N3024	PNP	3.0	30	TO-3
2N3025	PNP	3.0	45	TO-3
2N3026	PNP	3.0	60	TO-3
2N3054A	NPN	4.0	55	TO-66
2N3142	NPN	2.0	65	TO-61
2N3143	NPN	2.0	140	TO-61
2N3144	NPN	2.0	65	TO-61
2N3145	NPN	2.0	140	TO-61
2N3149	NPN	70.0	80	TO-114
2N3150	NPN	70.0	100	TO-114
2N3151	NPN	70.0	150	TO-114
2N3220	NPN	2.0	80	TO-63
2N3221	NPN	2.0	80	TO-63

Type	Polarity	I <sub>c</sub> Max Amps	V <sub>CE0</sub> (SUS) Volts	Package
2N3222	NPN	2.0	60	TO-63
2N3223	NPN	2.0	60	TO-63
2N3265	NPN	20.0	90	TO-63
2N3266	NPN	20.0	60	TO-63
2N3418	NPN	3.0	60	TO-39/TO-5
2N3419	NPN	3.0	80	TO-39/TO-5
2N3420	NPN	3.0	60	TO-39/TO-5
2N3421	NPN	3.0	80	TO-39/TO-5
2N3439	NPN	1.0	350	TO-39/TO-5
2N3440	NPN	1.0	250	TO-39/TO-5
2N3445	NPN	7.5	60	TO-3
2N3446	NPN	7.5	80	TO-3
2N3447	NPN	7.5	60	TO-3
2N3448	NPN	7.5	80	TO-3
2N3464	NPN	5.0	40	TO-5
2N3469	NPN	5.0	25	TO-5
2N3470	NPN	10.0	50	TO-63
2N3471	NPN	10.0	100	TO-63
2N3472	NPN	10.0	150	TO-63
2N3473	NPN	10.0	200	TO-63
2N3474	NPN	10.0	50	TO-63
2N3475	NPN	10.0	100	TO-63
2N3476	NPN	10.0	50	TO-63
2N3477	NPN	10.0	200	TO-63
2N3487	NPN	7.5	60	TO-61
2N3488	NPN	7.5	80	TO-61
2N3489	NPN	7.5	100	TO-61
2N3490	NPN	7.5	60	TO-61
2N3491	NPN	7.5	80	TO-61
2N3492	NPN	7.5	100	TO-61
2N3583	NPN	1.0	250 (V <sub>CE</sub> R)	TO-66
2N3584	NPN	5.0	300 (V <sub>CE</sub> R)	TO-66
2N3585	NPN	5.0	400 (V <sub>CE</sub> R)	TO-66
2N3589	NPN	0.5	200	MD-14
2N3590	NPN	0.5	200	MD-14
2N3595	NPN	0.5	200	MT-27
2N3596	NPN	0.50	200	MT-27
2N3597	NPN	20.0	40	TO-63
2N3598	NPN	20.0	60	TO-63
2N3599	NPN	20.0	80	TO-63
2N3659	NPN	0.5	170	TO-5
2N3660	PNP	1.5	30	TO-5
2N3661	PNP	1.5	50	TO-5
2N3665	NPN	1.0	80	TO-5
2N3666	NPN	1.0	80	TO-5
2N3675	NPN	3.0	55	TO-5
2N3676	NPN	3.0	90	TO-5
2N3713	NPN	10.0	60	TO-3
2N3714	NPN	10.0	80	TO-3
2N3715	NPN	10.0	60	TO-3
2N3716	NPN	10.0	80	TO-3
2N3719	PNP	3.0	40	TO-5
2N3720	PNP	3.0	60	TO-5
2N3738	NPN	0.25	225	TO-66
2N3739	NPN	0.25	300	TO-66

For additional JEDEC 2NXXXX, see numerical index on page 9.

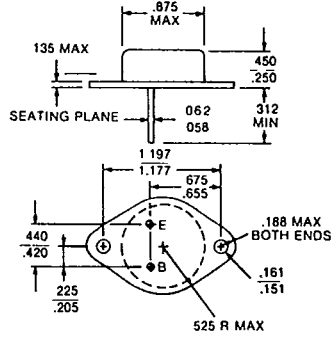
PACKAGE DESCRIPTIONS AND OUTLINE DRAWINGS

TO-3 PACKAGE



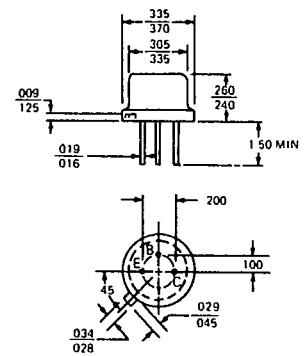
Collector is connected to case.

MODIFIED TO-3 PACKAGE  
(60 mil pins)



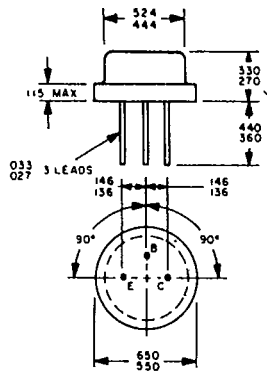
Collector is connected to case.

TO-5 PACKAGE



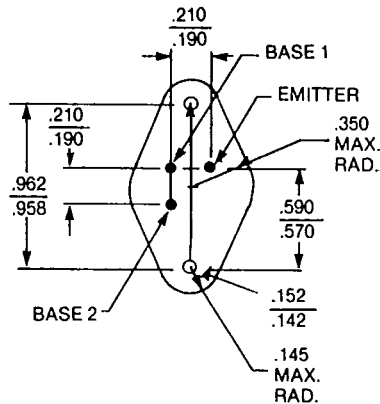
Collector is connected to case.

TO-8 PACKAGE



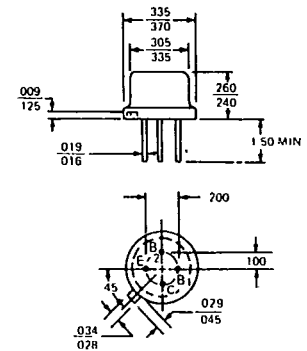
Collector is connected to case.

F-24 PACKAGE  
(3-LEADED TO-66)



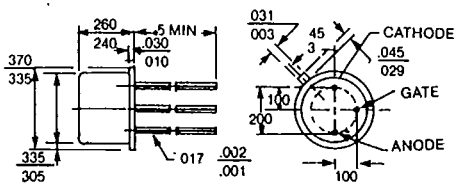
Collector is connected to case.

TO-33 PACKAGE



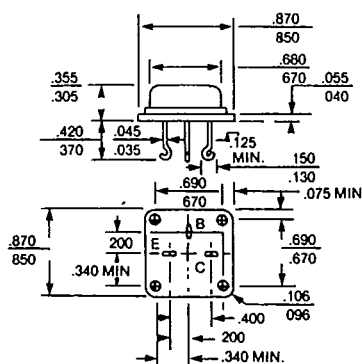
Collector is connected to case.

TO-39 PACKAGE



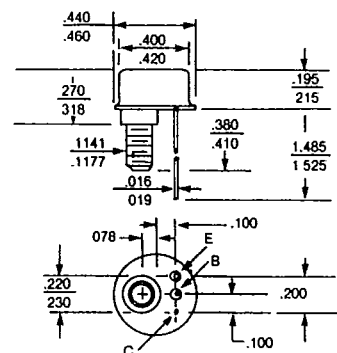
Collector is connected to case.

TO-53 PACKAGE



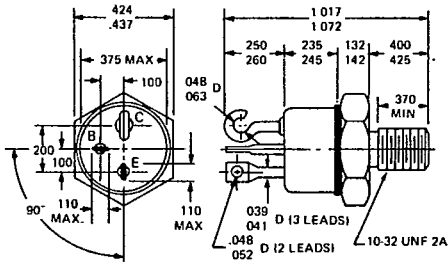
Collector is connected to case.

TO-57 PACKAGE



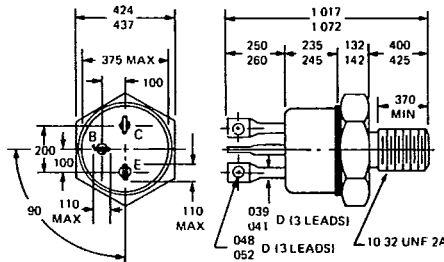
Collector is connected to case.

**TO-59 PACKAGE**



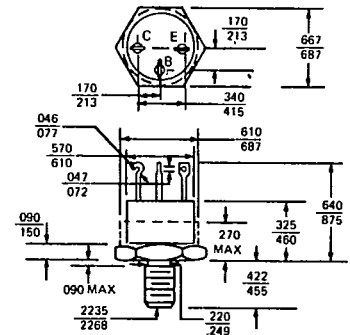
Collector is connected to case.

**TO-59 PACKAGE  
ISOLATED COLLECTOR**



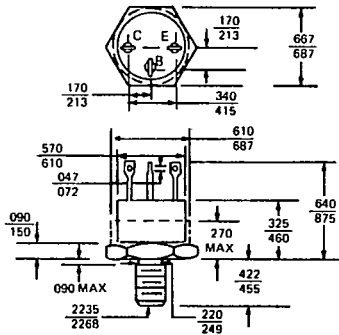
Collector is electrically isolated from case.

**TO-61 PACKAGE**



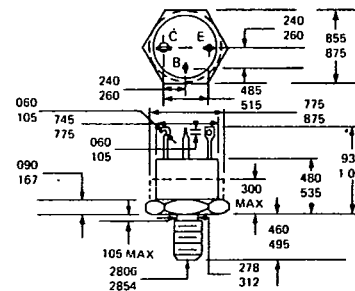
Collector is connected to case.

**TO-61 PACKAGE  
ISOLATED COLLECTOR**



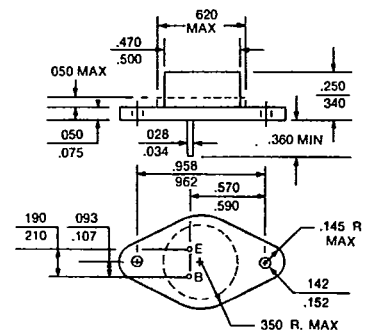
Collector is electrically isolated from case.

**TO-63 PACKAGE**



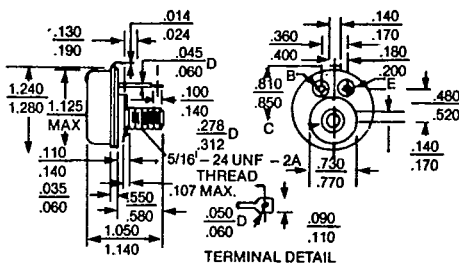
Collector is connected to case.

**TO-66 PACKAGE**



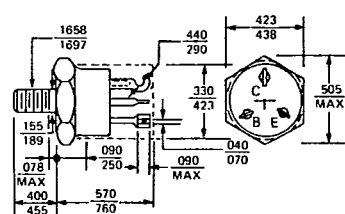
Collector is connected to case.

**TO-82 PACKAGE**



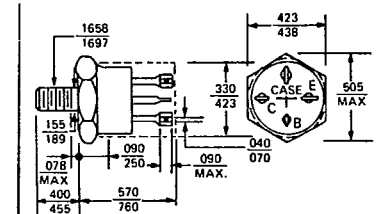
Collector is connected to case.

**TO-111 PACKAGE**



Collector is connected to case.

**TO-111 PACKAGE  
ISOLATED COLLECTOR**



Collector is electrically isolated from case.