

1A Ultra Low Dropout Linear Regulator

FEATURES

- Guaranteed 1A Output Current
- Low Ground Current
- 0.5 μ A Quiescent Current in Shutdown
- Fixed Output Voltage of 1.5V, 1.8V, 2.5V, 3.3V
- Fast Transient Response
- Current Limit and Thermal Limit
- Available in SOT-223, TO-220, TO-263 TO-263-5, TO-252 and TO-252-5 Packages

APPLICATIONS

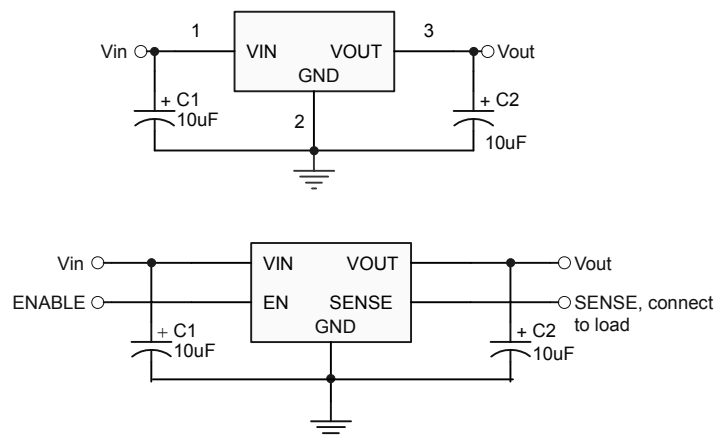
- Mother Board and Notebook
- Gigabit Ethernet Switch
- Microprocessor Power Systems
- Network Cards
- Peripheral Cards
- GTL, GTL+, BTL, and SSTL Bus Terminators
- DSPs Power Supplies
- Battery Powered Applications

DESCRIPTION

The AIC1187 is an ultra low dropout and high performance linear regulator with 1A output current capability. The output voltage is fixed 1.5V, 1.8V, 2.5V and 3.3V. Its low dropout voltage and fast transient response make it ideal for low voltage microprocessor applications.

In addition, the enable pin reduces power dissipation at shutdown mode. Current limit and thermal protection provide protection against any overload condition that would create excessive junction temperatures.

TYPICAL APPLICATION CIRCUIT

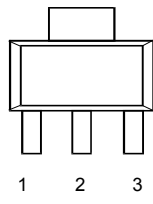
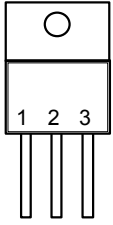
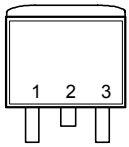
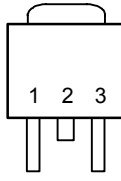
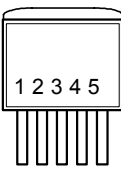



ORDERING INFORMATION

AIC1187-XXXXXX

- PACKING TYPE
TR: TAPE & REEL
TB: TUBE
- PACKAGING TYPE
Y: SOT-223
M: TO-263
E: TO-252
T: TO-220
M5: TO-263-5
E5: TO-252-5
- C: Commercial
P: Lead Free Commercial
- OUTPUT VOLTAGE
15: 1.5V
18: 1.8V
25: 2.5V
33: 3.3V

Example: AIC1187-15CYTR
 → 1.5V version in SOT-223
 Package & Taping & Reel
 Packing Type
 AIC1187-15PYTR
 → 1.5V Version, in SOT-223 Lead
 Free Package & Tape & Reel
 Packing Type

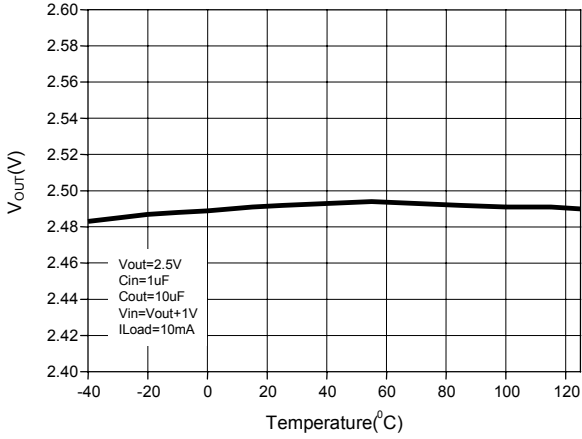
PIN CONFIGURATION	
SOT-223 TOP VIEW 1: VIN 2: GND (TAB) 3: VOUT	
TO-220 FRONT VIEW 1: VIN 2: GND (TAB) 3: VOUT	
TO-263 TOP VIEW 1: VIN 2: GND (TAB) 3: VOUT	
TO-252 TOP VIEW 1: VIN 2: GND (TAB) 3: VOUT	
TO-263-5 TOP VIEW 1: VIN 2: EN 3: GND (TAB) 4: SENSE 5: VOUT	
TO-252-5 TOP VIEW 1: VIN 2: EN 3: GND (TAB) 4: SENSE 5: VOUT	

■ **ELECTRICAL CHARACTERISTICS** ($V_{IN}=V_O+0.7V$, $I_{OUT}=10mA$, $V_{EN}=V_{IN}$, $T_A=25^\circ C$, unless otherwise specified) (Note 1)

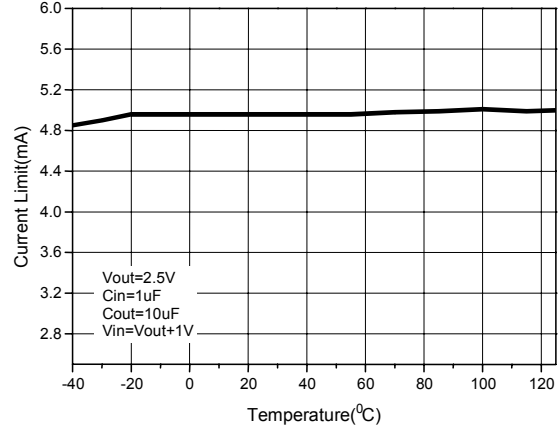
PARAMETER	TEST CONDITIONS	SYMBOL	MIN.	TYP.	MAX.	UNIT
Input Voltage Range		V_{IN}	2.25		5.5	V
Output Voltage Tolerance			-1.5		+1.5	%
Line Regulation	$V_{IN} = V_{OUT} + V_{Drop(max)}$ to 5.5V	ΔV_{LIR}		0.3	1	%
Load Regulation	$V_{IN} = V_{OUT} + 0.7$	ΔV_{LOR}		30	60	mV
Dropout Voltage	$I_{OUT}=1A$	V_{DROD}		550	700	mV
					$V_0=1.5$	
Quiescent Current		I_Q		1	2	mA
Shutdown Supply Current	$V_{EN}=0V$	I_{SD}		0.5	5	μA
Output Current Limit	$V_{IN}=V_{OUT} + 0.7$	I_{IL}	2	5		A
Shutdown Terminal Specifications						
EN Pin Shutdown Threshold	Output=H	V_{EN}	1.2			V
	Output=L				0.4	
EN Pin Current	$V_{EN}=V_{IN}$	I_{EN}		0.1		nA
FLG Pin Leakage Current				1		nA
FLG Pin Sink Current	$V_{FLG}=0.5V$		2			mA
Thermal Protection						
Thermal Shutdown Temperature	Guaranteed by design	T_{SD}		170		$^\circ C$
Thermal Shutdown Hysteresis	Guaranteed by design	T_{HYST}		10		$^\circ C$

Note 1: Specifications are production tested at $T_A=25^\circ C$. Specifications over the $-40^\circ C$ to $85^\circ C$ operating temperature range are assured by design, characterization and correlation with Statistical Quality Controls (SQC).

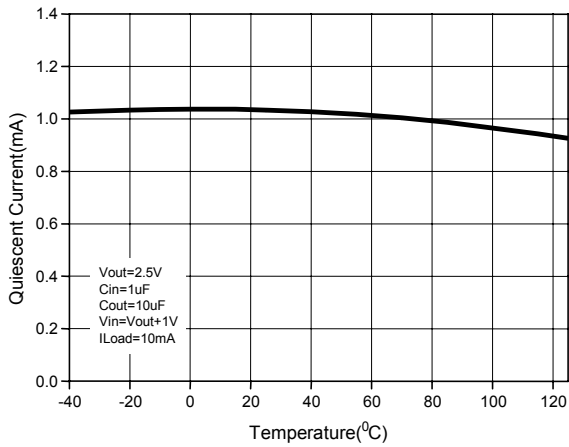
TYPICAL PERFORMANCE CHARACTERISTICS



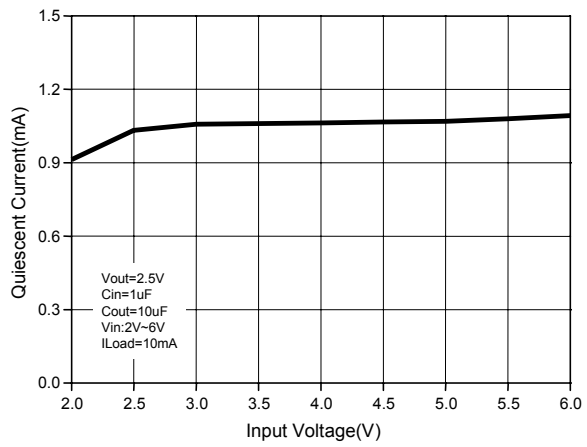
Output Voltage vs. Temperature



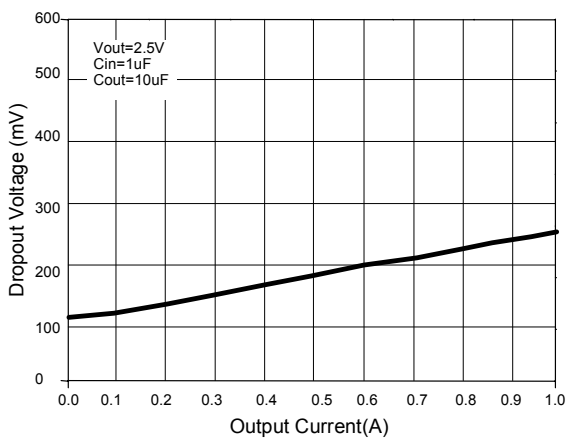
Current Limit vs. Temperature



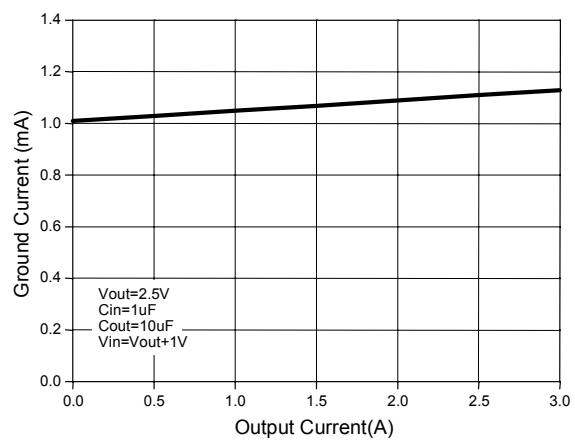
Quiescent Current vs. Temperature



Quiescent Current vs. Input Voltage

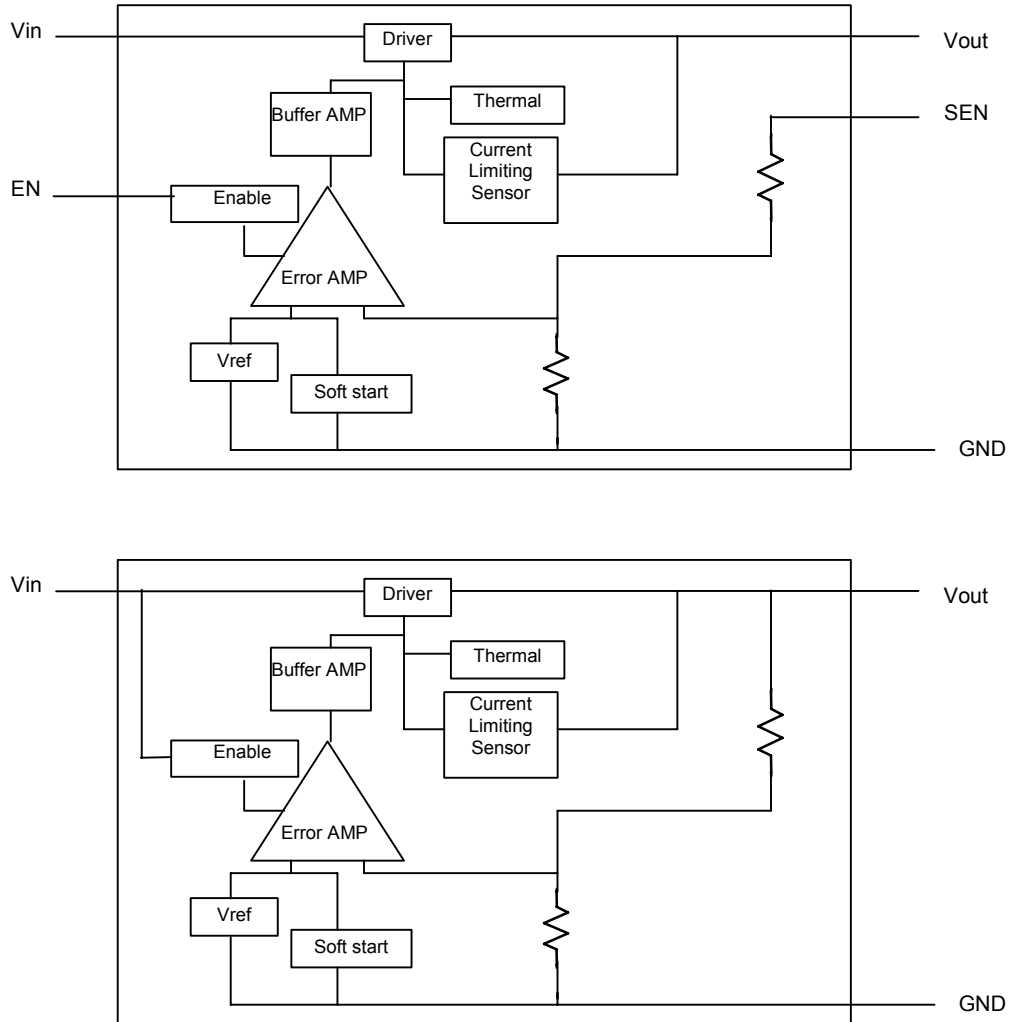


Dropout Voltage vs. I_{OUT} Current



Ground Current vs. I_{OUT} Current

■ BLOCK DIAGRAM



■ PIN DESCRIPTIONS

- VOUT PIN - Output voltage.
- GND PIN - Power GND.
- SEN PIN - Remote sense.
- VIN PIN - Power Input.
- EN PIN - Enable Input.

APPLICATION INFORMATIONS

Input/Output Capacitors

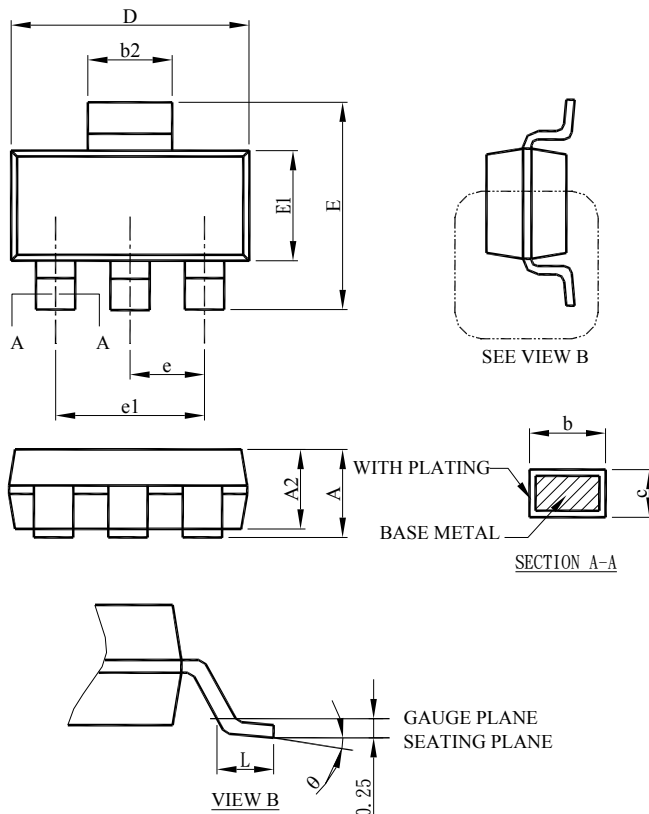
Linear regulators require input and output capacitors to maintain stability. A 4.7 μ F or 10 μ F electrolytic or tantalum capacitor is recommended for output. The output capacitor should be selected within the Equivalent Series Resistance (ESR).

Sense

Load is not usually close to regulator in actual application. The distance between these two devices results in decay of the load. A SENSE pin of the regulator connects to the load and traces the load voltage. AIC1187 will adjust the output voltage of the regulator to maintain the load at expected voltage.

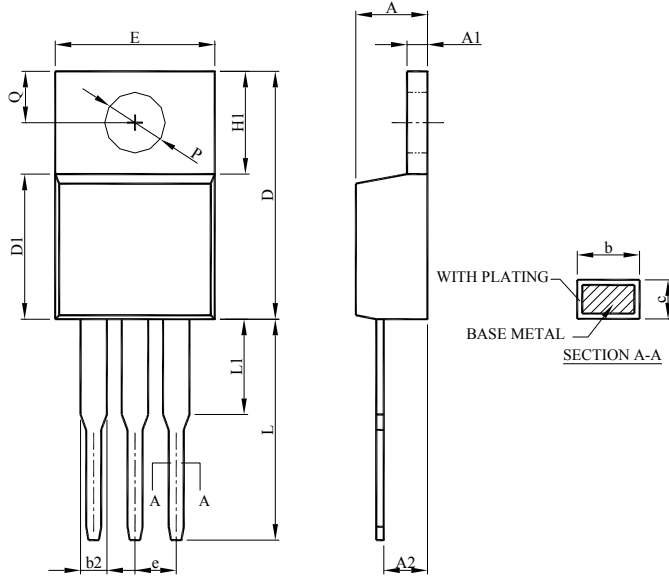
PHYSICAL DIMENSIONS

SOT-223



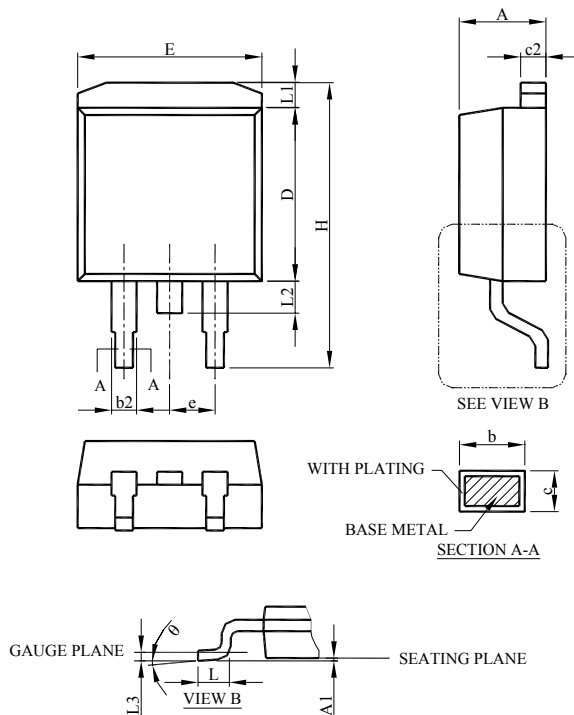
SYMBOL	SOT-223	
	MILLIMETERS	
	MIN.	MAX.
A		1.80
A1	0.02	0.10
A2	1.55	1.65
b	0.66	0.84
b2	2.90	3.10
c	0.23	0.33
D	6.30	6.70
E	6.70	7.30
E1	3.30	3.70
e	2.30 BSC	
e1	4.60 BSC	
L	0.90	
θ	0°	8°

● TO-220



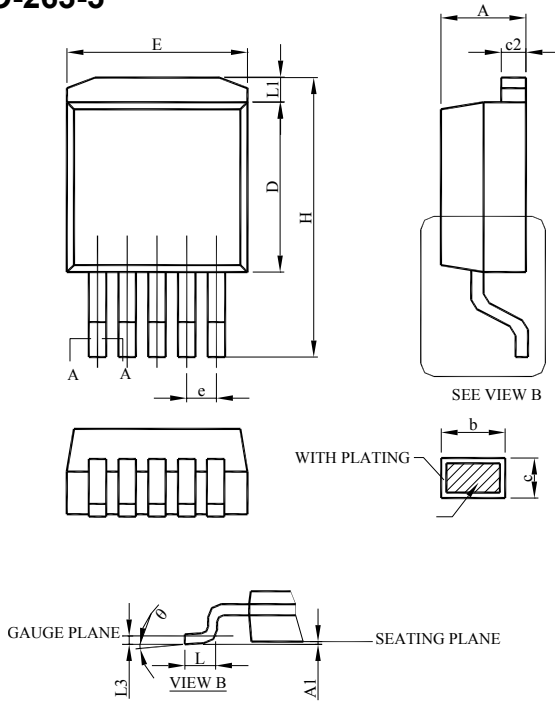
SYMBOL	TO-220	
	MILLIMETERS	
	MIN.	MAX.
A	3.56	4.82
A1	0.51	1.39
A2	2.04	2.92
b	0.38	1.01
b2	1.15	1.77
c	0.35	0.61
D	14.23	16.51
D1	8.38	9.02
E	9.66	10.66
e	2.54 BSC	
H1	5.85	6.85
L	12.70	14.73
L1	--	6.35
P	3.54	4.08
Q	2.54	3.42

● TO-263



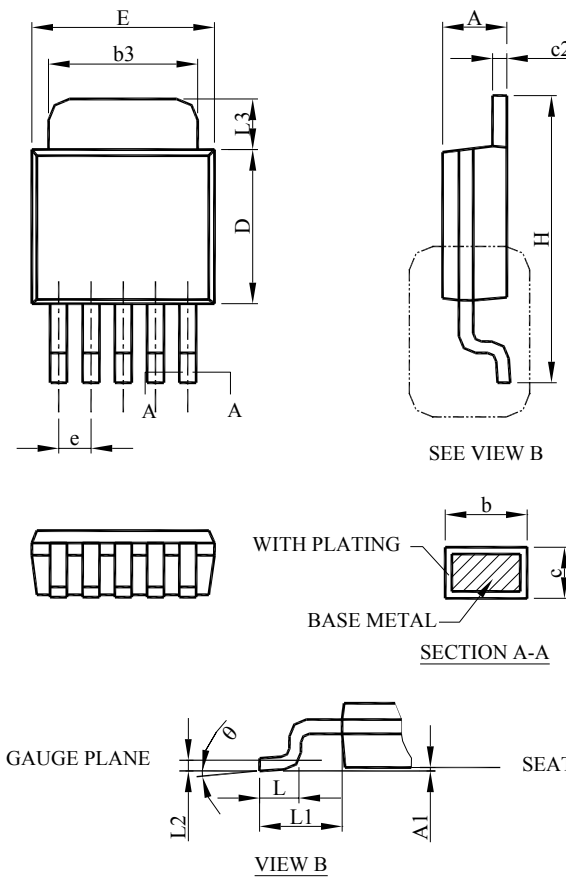
SYMBOL	TO-263-3L	
	MILLIMETERS	
	MIN.	MAX.
A	4.06	4.83
A1	0.00	0.25
b	0.51	0.99
b2	1.14	1.78
c	0.38	0.74
c2	1.14	1.65
D	8.38	9.65
E	9.65	10.67
e	2.54 BSC	
H	14.61	15.88
L	1.78	2.79
L1	--	1.68
L2	--	1.78
L3	0.25 BSC	
θ	0°	8°

● TO-263-5



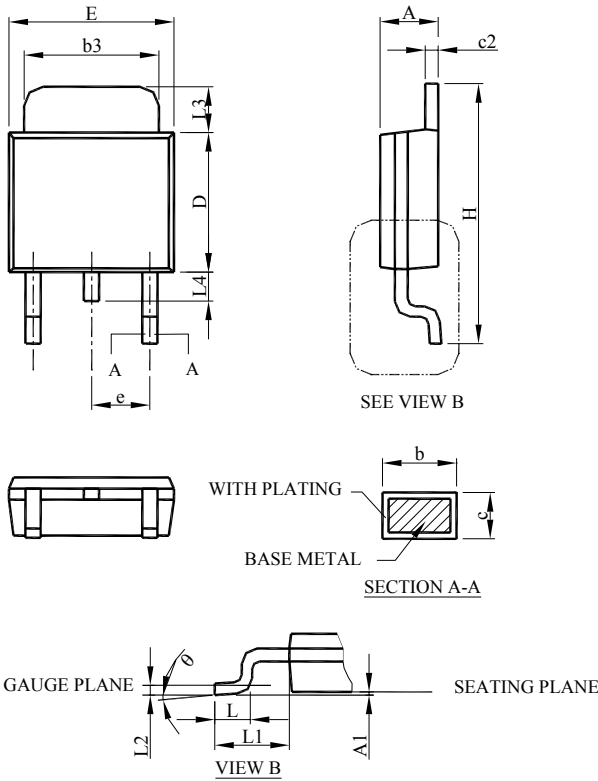
SYMBOL	TO-263-5L	
	MILLIMETERS	
	MIN.	MAX.
A	4.06	4.83
A1	0.00	0.25
b	0.51	0.99
c	0.38	0.74
c2	1.14	1.65
D	8.38	9.65
E	9.65	10.67
e	1.70 BSC	
H	14.61	15.88
L	1.78	2.79
L1	--	1.68
L3	0.25 BSC	
θ	0°	8°

● TO-252-5



SYMBOL	TO-252-5L	
	MILLIMETERS	
	MIN.	MAX.
A	2.19	2.38
A1	0.00	0.13
b	0.51	0.71
b3	4.32	5.46
c	0.46	0.61
c2	0.46	0.89
D	5.33	6.22
E	6.35	6.73
e	1.27 BSC	
H	9.40	10.41
L	1.40	1.78
L1	2.67 REF	
L2	0.51 BSC	
L3	0.89	2.03
θ	0°	8°

● TO-252



SYMBOL	TO-252-3L	
	MILLIMETERS	
	MIN.	MAX.
A	2.19	2.38
A1	0.00	0.13
b	0.64	0.89
b3	4.95	5.46
c	0.46	0.61
c2	0.46	0.89
D	5.33	6.22
E	6.35	6.73
e	2.28 BSC	
H	9.40	10.41
L	1.40	1.78
L1	2.67 REF	
L2	0.51 BSC	
L3	0.89	2.03
L4	--	1.02
θ	0°	8°

Note:

Information provided by AIC is believed to be accurate and reliable. However, we cannot assume responsibility for use of any circuitry other than circuitry entirely embodied in an AIC product; nor for any infringement of patents or other rights of third parties that may result from its use. We reserve the right to change the circuitry and specifications without notice.

Life Support Policy: AIC does not authorize any AIC product for use in life support devices and/or systems. Life support devices or systems are devices or systems which, (i) are intended for surgical implant into the body or (ii) support or sustain life, and whose failure to perform, when properly used in accordance with instructions for use provided in the labeling, can be reasonably expected to result in a significant injury to the user.