

512Kx8 Plastic Monolithic SRAM CMOS

FEATURES

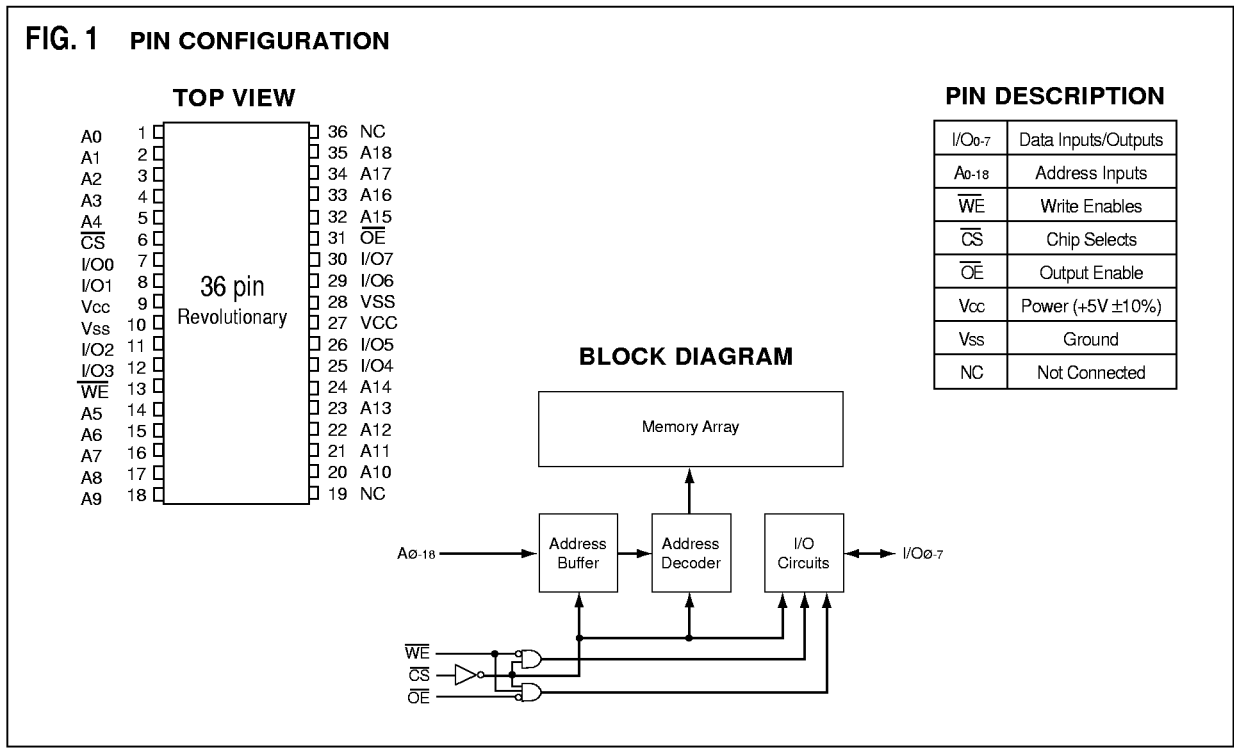
- 512Kx8 bit CMOS Static
- Random Access Memory
 - Access Times of 17, 20, 25ns
 - Data Retention Function (LPA version)
 - Extended Temperature Testing
 - Data Retention Functionality Testing
- 36 lead JEDEC Approved Revolutionary Pinout
 - Plastic SOJ (Package 319)
- Single +5V ($\pm 10\%$) Supply Operation

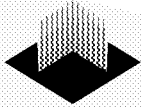
WEDC's a ruggedized plastic 512Kx8 SRAM that allows the user to capitalize on the cost advantage of using a plastic component while not sacrificing all of the reliability available in a full military device.

Extended temperature testing is performed with the test patterns developed for use on WEDC's fully compliant 512Kx8 SRAMs. WEDC fully characterizes devices to determine the proper test patterns for testing at temperature extremes. This is critical because the operating characteristics of device change when it is operated beyond the commercial guarantee a device that operates reliably in the field at temperature extremes. Users of WEDC's ruggedized plastic benefit from WEDC's extensive experience in characterizing SRAMs for use in military systems.

WEDC ensures Low Power devices will retain data in Data Retention mode by characterizing the devices to determine the appropriate test conditions. This is crucial for systems operating at -40°C or below and using dense memories such as 512Kx8s.

WEDC's ruggedized plastic SOJ is footprint compatible with WEDC's full military ceramic 36 pin SOJ.





ABSOLUTE MAXIMUM RATINGS

Parameter		Unit
Voltage on any pin relative to Vss	-0.5 to 7.0	V
Operating Temperature TA (Ambient)		
Commercial	0 to +70	°C
Industrial	-40 to +85	°C
Military	-55 to +125	°C
Storage Temperature, Plastic	-65 to +150	°C
Power Dissipation	1.5	W
Output Current	20	mA
Junction Temperature, TJ	175	°C

NOTE:
Stress greater than those listed under "Absolute Maximum Ratings" may cause permanent damage to the device. This is a stress rating only and functional operation of the device at these or any other conditions greater than those indicated in the operational sections of this specification is not implied. Exposure to absolute maximum rating conditions for extended periods may affect device reliability.

TRUTH TABLE

OE	CS	WE	Mode	Output	Power
X	H	X	Standby	High Z	Icc2, Icc3
H	L	H	Output Deselect	High Z	Icc1
L	L	H	Read	Data Out	Icc1
X	L	L	Write	Data In	Icc1

RECOMMENDED OPERATING CONDITIONS

Parameter	Symbol	Min	Typ	Max	Unit
Supply Voltage	Vcc	4.5	5.0	5.5	V
Supply Voltage	Vss	0	0	0	V
Input High Voltage	VIH	2.2	—	3.0	V
Input Low Voltage	VIL	-0.3	—	+0.8	V

CAPACITANCE
(TA = +25°C)

Parameter	Symbol	Condition	Max	Unit
Address Lines	CI	VIN = Vcc or Vss, f = 1.0MHz	6	pF
Data Lines	CO	VIN = Vcc or Vss, f = 1.0MHz	8	pF

These parameters are sampled, not 100% tested.

DC CHARACTERISTICS

(Vcc = 5V, Vss = 0V, TA = -55°C to +125°C)

Parameter	Symbol	Conditions	Min	Max	Units
Input Leakage Current	II	Vcc = 5.5, VIN = Vss to Vcc		10	µA
Output Leakage Current	ILO	CS = VIL, OE = VIH, VOUT = Vss to Vcc		10	µA
Operating Supply Current	Icc	CS = VIL, OE = VIH, f = 5MHz, Vcc = 5.5		180	mA
Operating Supply Current	ISB	CS = VIL, OE = VIH, f = 5MHz, Vcc = 5.5		15	mA
Output High Voltage	VOH	I _{OH} = -4.0mA, Vcc = 4.5	2.4		V
Output Low Voltage	VOL	I _{OL} = 8.0mA, Vcc = 4.5		0.4	V

NOTE: DC test conditions: VIL = 0.3V, VIH = Vcc - 0.3V

AC TEST CONDITIONS

Figure 1

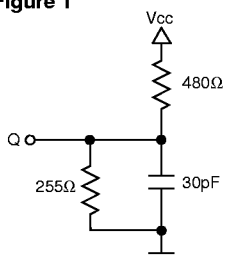
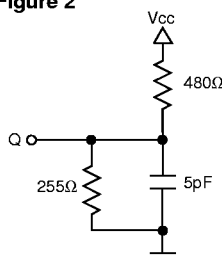
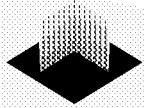


Figure 2



Input Pulse Levels	Vss to 3.0V
Input Rise and Fall Times	5ns
Input and Output Timing Levels	1.5V
Output Load	Figure 1

NOTE: For t_{EHZ}, t_{EHZ} and t_{WLZ}, CL = 5pF Figure 2)



AC CHARACTERISTICS – READ CYCLE

(V_{CC} = 5.0V, V_{SS} = 0V, T_A = 0°C to +70°C)

Parameter	Symbol		17ns		20ns		25ns		Units
	JEDEC	Alt.	Min	Max	Min	Max	Min	Max	
Read Cycle Time	tAVAV	tRC	17		20		25		ns
Address Access Time	tAVQV	tAA		17		20		25	ns
Chip Enable Access Time	tELQV	tACS		17		20		25	ns
Chip Enable to Output in Low Z (1)	tELQX	tCLZ	3		3		3		ns
Chip Disable to Output in High Z (1)	tEHQZ	tCHZ	0	7	0	8	0	10	ns
Output Hold from Address Change	tAVQX	tOH	0		0		0		ns
Output Enable to Output Valid	tGLQV	tOE		8		10		12	ns
Output Enable to Output in Low Z (1)	tGLQX	tOLZ	0		0		0		ns
Output Disable to Output in High Z(1)	tGHQZ	tCHZ	0	7	0	8	0	10	ns

1. This parameter is guaranteed by design but not tested.

AC CHARACTERISTICS – WRITE CYCLE

(V_{CC} = 5.0V, V_{SS} = 0V, T_A = 0°C to +70°C)

Parameter	Symbol		17ns		20ns		25ns		Units
	JEDEC	Alt.	Min	Max	Min	Max	Min	Max	
Write Cycle Time	tAVAV	tWC	17		20		25		ns
Chip Enable to End of Write	tELWH	tCW	14		15		17		ns
	tELEH	tCW	14		15		17		ns
Address Setup Time	tAVWL	tAS	0		0		0		ns
	tAVEL	tAS	0		0		0		ns
Address Valid to End of Write	tAVWH	tAW	14		15		17		ns
	tAVEH	tAW	14		15		17		ns
Write Pulse Width	tWLWH	tWP	14		15		17		ns
	tWLEH	tWP	14		15		17		ns
Write Recovery Time	tWHAX	tWR	0		0		0		ns
	tEHAX	tWR	0		0		0		ns
Data Hold Time	tWHDX	tDH	0		0		0		ns
	tEHDX	tDH	0		0		0		ns
Write to Output in High Z (1)	tWLQZ	tWHZ	0	8	0	8	0	10	ns
Data to Write Time	tDWWH	tDW	8		10		12		ns
	tDVEH	tDW	8		10		12		ns
Output Active from End of Write (1)	tWHQX	tWLZ	0		0		0		ns

1. This parameter is guaranteed by design but not tested.

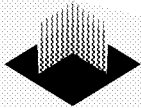


FIG. 2
TIMING WAVEFORM - READ CYCLE

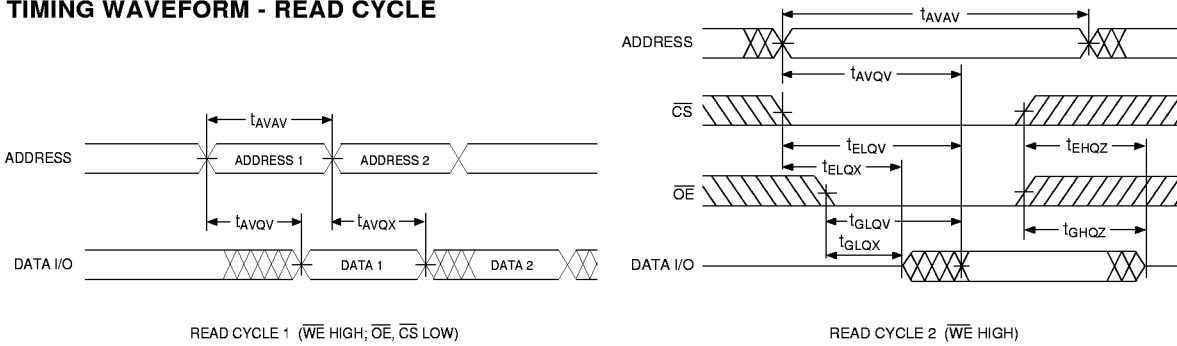


FIG. 3
WRITE CYCLE - WE CONTROLLED

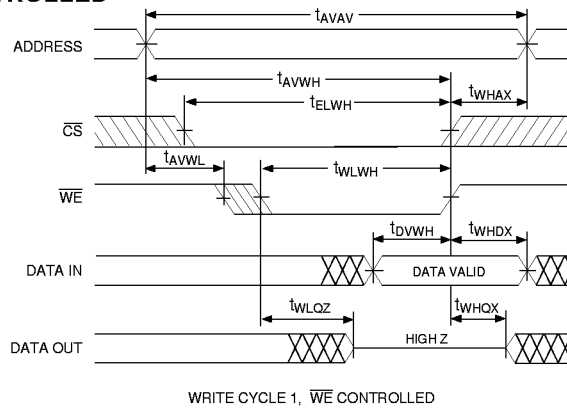
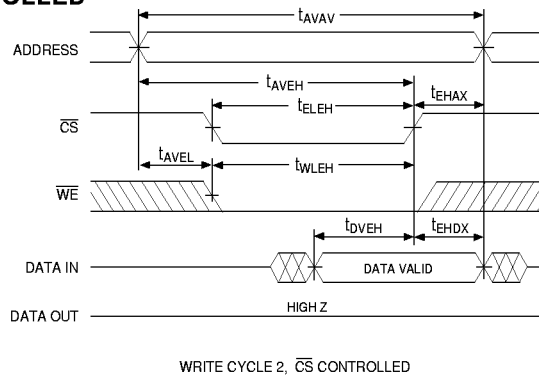
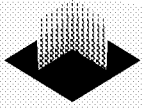


FIG. 4
WRITE CYCLE - CS CONTROLLED



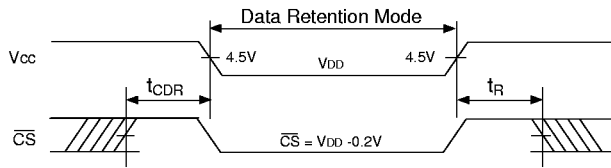


DATA RETENTION CHARACTERISTICS (EDI88512LPA ONLY)

(TA = -55°C to +125°C)

Characteristic Low Power Version only	Sym	Conditions	Min	Typ	Max	Units
Data Retention Voltage	V _{DD}	V _{DD} = 2.0V	2	–	–	V
Data Retention Quiescent Current	I _{CCDR}	$\overline{CS} \geq V_{DD} - 0.2V$	–	–	2	mA
Chip Disable to Data Retention Time	T _{CDR}	V _{IN} ≥ V _{DD} - 0.2V	0	–	–	ns
Operation Recovery Time	T _R	or V _{IN} ≤ 0.2V	T _{AVAV}	–	–	ns

FIG. 5
DATA RETENTION - \overline{CS} CONTROLLED



DATA RETENTION, \overline{CS} CONTROLLED

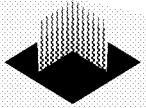
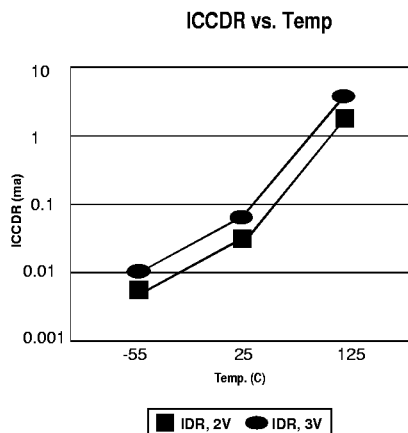
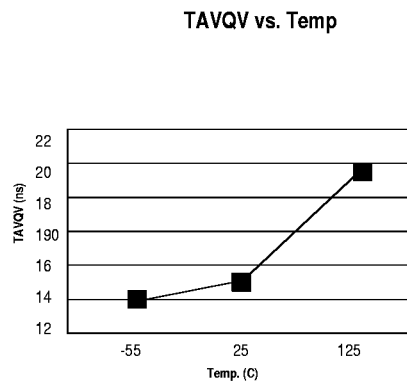
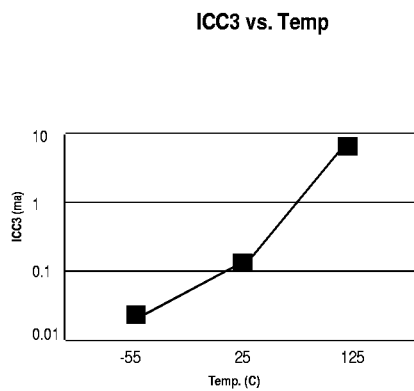
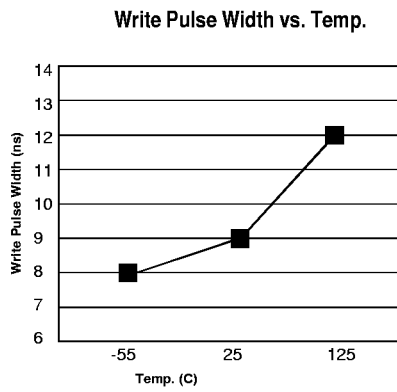
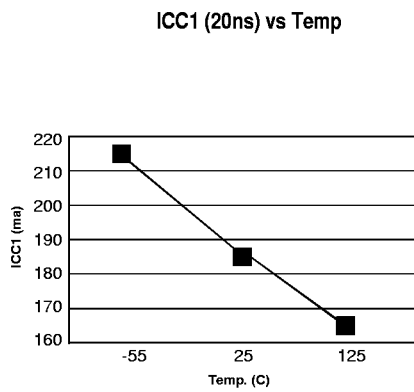
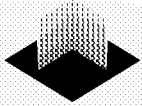


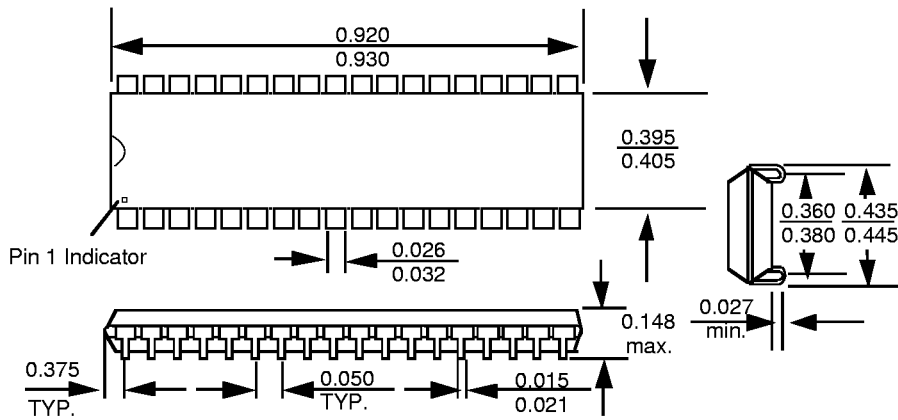
FIG. 6
NORMALIZED OPERATING GRAPHS



Normalized curves are offered as a service to our customers. They are not to be construed as a guarantee of operating characteristics. Characteristics of actual devices will vary.



PACKAGE 319: 36 LEAD, PLASTIC SMALL OUTLINE J-LEAD (SOJ)



ALL DIMENSIONS ARE IN INCHES

ORDERING INFORMATION

EDI 8 8 512 CA X X X RP

WHITE ELECTRONIC DESIGNS

SRAM

ORGANIZATION, 512Kx8

TECHNOLOGY:

- CA = CMOS Standard Power
- LPA = Low Power

ACCESS TIME (ns)

PACKAGE TYPE:

- M = 36 lead Plastic SOJ

DEVICE GRADE:

- B = MIL-STD-883 Compliant
- M = Military Screened -55°C to +125°C
- I = Industrial -40°C to +85°C
- C = Commercial 0°C to +70°C

RUGGEDIZED PLASTIC