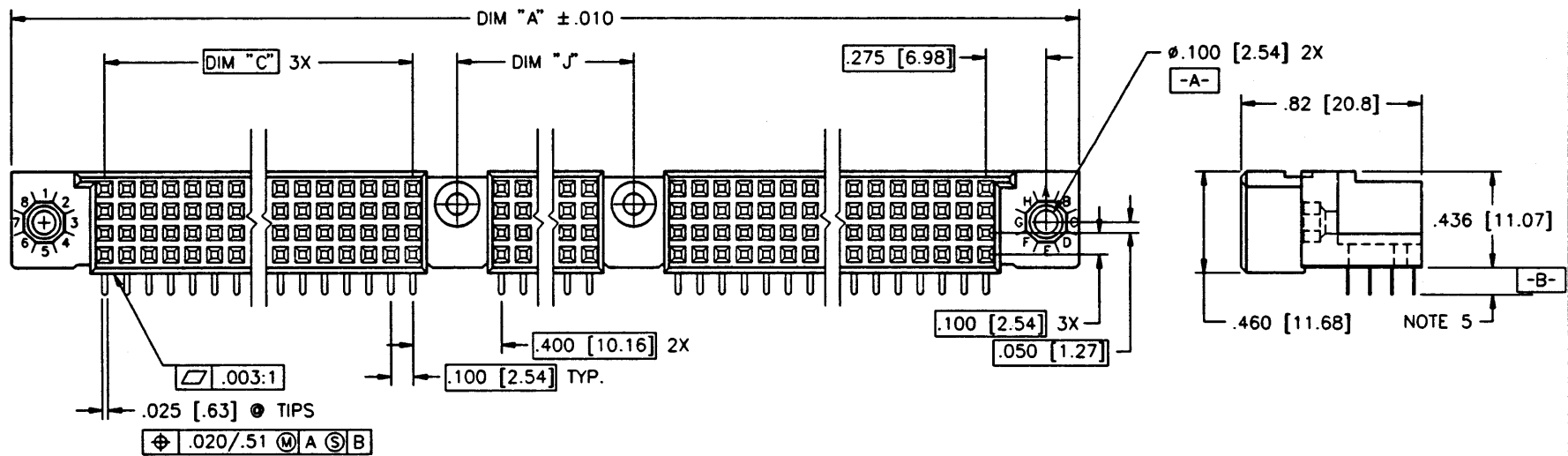
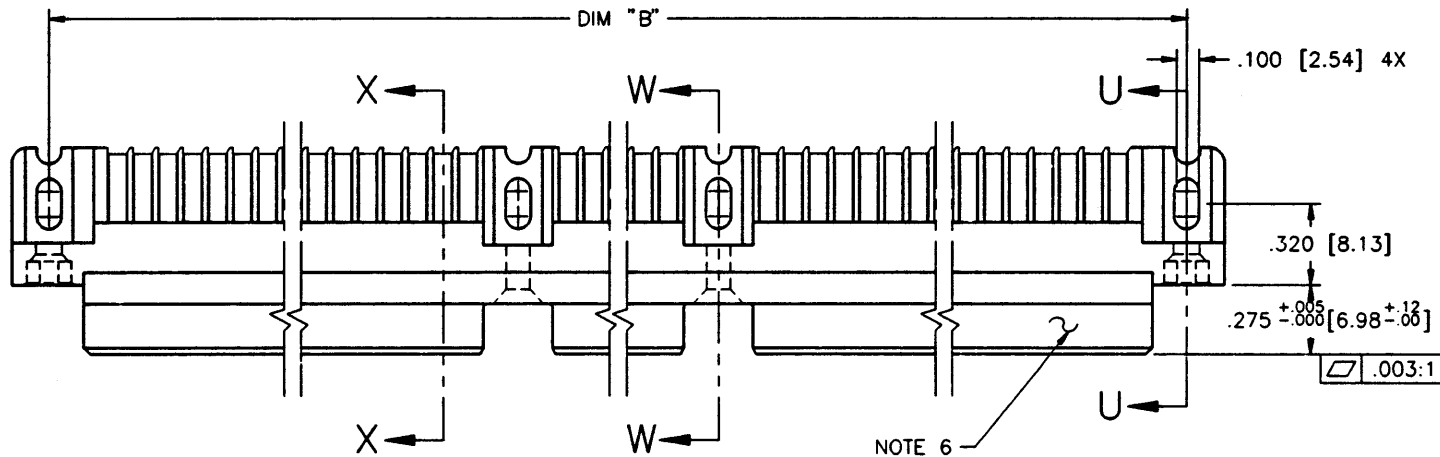


PRODUCT NUMBER
50786-XXXX



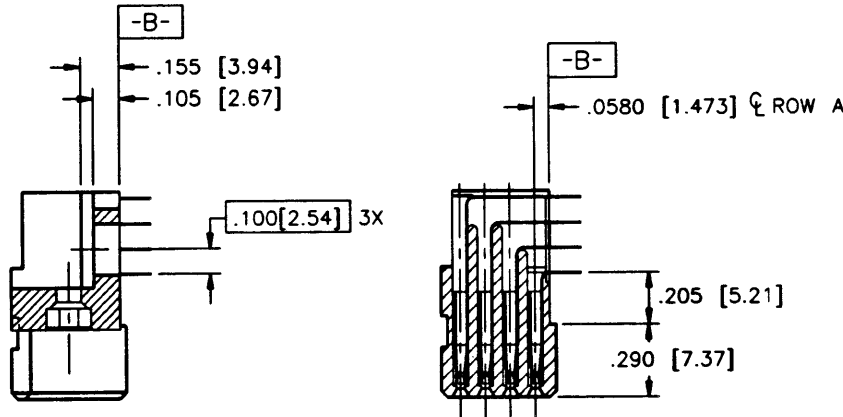
| REVISIONS | | | | SHEET INDEX | ISSUE | | B | | A | |
|-----------|---------|-----|----------|---------------------------------------|--------------------------|---|----------------|--|-------------|--|
| REV | ECH/DDR | BY | DATE | | SH NO. | 1 | 2 | | | |
| A | V40643 | PDP | 3/18/94 | | | | | | | |
| B | V41511 | GAH | 10/13/94 | | | | | | | |
| | | | | TOLERANCES UNLESS OTHERWISE SPECIFIED | MAY NOTE 3 | | DW P. PARSONS | | 3/21/94 | |
| | | | | LINEAR | .008 .01 / .02 3 | | FINISH | | D. HORCHLER | |
| | | | | ANGLES | .0008 .0020 / .0008 .051 | | PRODUCT FAMILY | | MPC | |
| | | | | | 7.2 | | CRK | | J. MURPHY | |
| | | | | | | | APP'D | | D. HORCHLER | |
| | | | | | | | DATE | | 3/23/94 | |

BERG ELECTRONICS

TITLE: 4 ROW R/A RECEPTACLES
2 GUIDE PINS, NO RIB

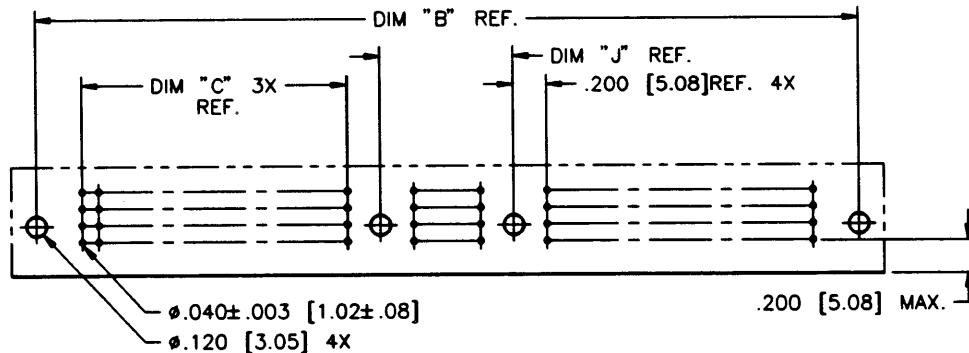
SCALE: 3:1 SIZE: C DWG. NO.: 50786 SHEET: 1 OF 2

| PRODUCT NUMBER | DIM. | LENGTH FORMULAS |
|----------------|-------|---|
| 50786-XXXX | DIM A | .100/2.54 X NO. OF COLUMNS + 1.35/34.3 |
| | DIM B | .100/2.54 X NO. OF COLUMNS + 1.050/26.67 |
| | DIM C | .100/2.54 X NO. OF COLUMNS DIVIDED BY 3 - .100/2.54 |
| | DIM J | .100/2.54 X NO. OF COLUMNS DIVIDED BY 3 + .300/7.62 |

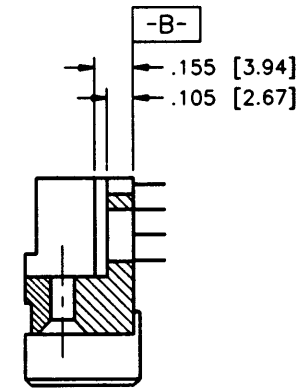


SECTION U-U

SECTION X-X



RECOMMENDED PCB LAYOUT
(ALL HOLES LOCATED ON .100 [2.54] GRID UNLESS OTHERWISE SPECIFIED)



SECTION W-W

NOTES:

- PRODUCT NUMBERING CODE:
50786 - X XXX X
TAIL LENGTH (NOTE 5)
NO. OF POSITIONS (NOTE 2)
PLATING (NOTE 4)
BASE NUMBER
- THIS PRODUCT IS CONFIGURED IN SIZES OF 30 THRU 150 COLUMNS IN INCREMENTS OF THREE. i.e.: 30,33,36,39.....147,150.
- HOUSING MATERIAL: GLASS FILLED PPS.
CONTACT MATERIAL: BeCu
- PLATING CONTACT AREA OPTIONS:
1 = 30u"/.76u GOLD
3 = 50u"/1.27u GOLD
5 = 30u"/.76u GXT
ALL SOLDER TAILS TIN/LEAD
- TAIL LENGTH OPTIONS:
E = .125±.010 / 3.18±.25
F = .145±.010 / 3.68±.25
H = .180±.010 / 4.57±.25
- "BERG" NAME, PART NUMBER AND LOT CODE TO APPEAR ON THIS SURFACE PER BUS-12-108.
- FOR DOCUMENTATION MENU, SEE BERG SPECIFICATION BUS-01-057.

| REVISIONS | | | | SHEET INDEX | ISSUE | | DATE | | BY | | TITLE | |
|-----------|----------|----|------|-------------|--------|---|------|----|------|----|-------|---|
| REV | ECH/DDR# | BY | DATE | | SH NO. | A | DATE | BY | DATE | BY | DATE | DESCRIPTION |
| A | | | | | 2 | | | | | | | 4 ROW R/A RECEPTACLES 2 GUIDE PINS, NO RIB |
| | | | | | | | | | | | | SCALE: 3:1 Dwg. No: 50786 SHEET 2 of 2 |

BERG
ELECTRONICS