

PRODUCT NUMBER

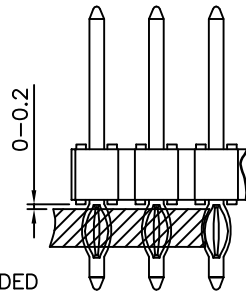
93690-YXX-XXLF

PLATING, SEE TABLE

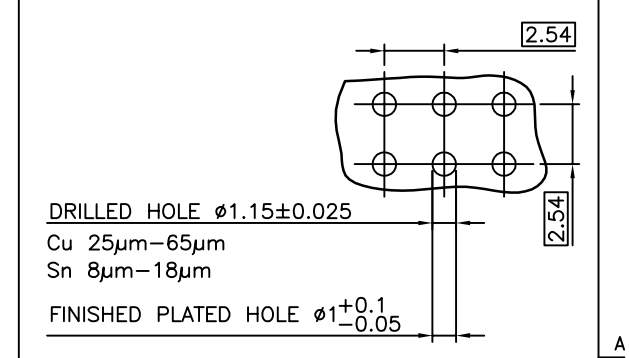
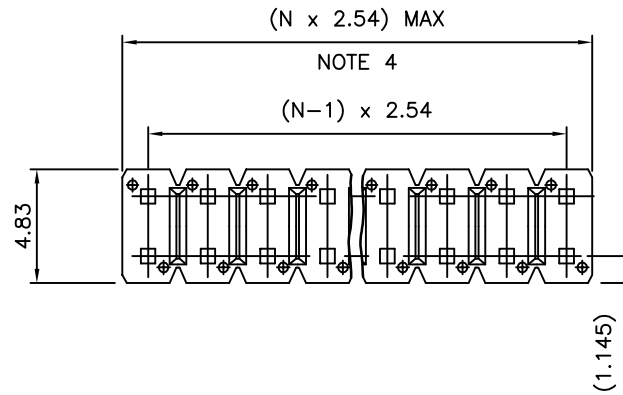
LEAD FREE  
SEE NOTE 6 & 7

TOTAL NB OF POS  
04 TO 72

PIN STYLE	DIM "A" REF	DIM "B" ±0.3	DIM "L" ±0.15
01	7.50	4.50	14.78
02	10.14	4.50	17.40
03	5.68	4.50	12.83
04	14.80	4.75	22.15
05	8.30	4.50	15.44
06	6.80	3.60	12.90
07	6.70	3.40	12.62
08	5.20	3.40	11.10
09	8.30	3.60	14.40
10	9.20	3.35	15.09

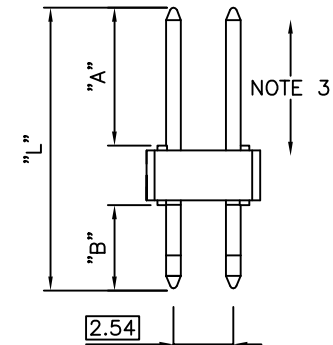
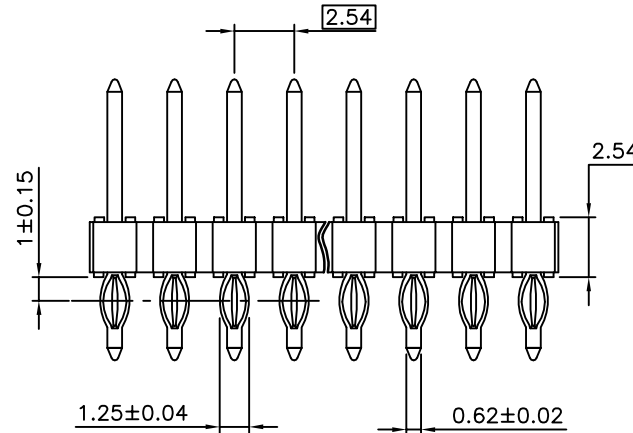


RECOMMENDED POSITION ON THE PCB



NOTES:

- HOUSING MAT'L : HIGH TEMPERATURE THERMOPLASTIC. UL94V-0 COLOR: BLACK
- PIN MATERIAL : COPPER ALLOY
- 9N MIN RETENTION IN EITHER DIRECTION
- TO DETERMINE DIMENSIONS :  
N = NUMBER OF POSITIONS PER ROW  
EXAMPLE : 8 POS PER ROW, N x 2.54 = 20.32mm
- PACKAGING POLYBAGS OR BLIBOX
- LEAD FREE CONNECTOR
- "LF" MEANS THAT THE PRODUCT IS RoHS COMPLIANT THEN MEETS EUROPEAN UNION DIRECTIVES AND OTHER COUNTRY REGULATION AS DESCRIBED IN GS-47-0004



93690-9XX-XXLF	0.2µm GOLD OVER 1.27µm Ni MIN	
93690-7XX-XXLF	GOLD FLASH OVER 1.27µm Ni MIN	1.0µm TIN OVER 1.27µm Ni MIN
93690-5XX-XXLF	0.25µm GOLD/GXT OVER 1.27µm Ni MIN	1.0µm TIN OVER 1.27µm Ni MIN
93690-4XX-XXLF	3.05µm TIN OVER 1.27µm Ni MIN	
93690-1XX-XXLF	0.76µm GOLD/GXT OVER 1.27µm Ni MIN	1.0µm TIN OVER 1.27µm Ni MIN
PLATING	CONTACT AREA	PRESS FIT TAIL AREA

mat'l. code		surface		tolerance		projection		product family	
SEE NOTE		ISO 1302		ISO 406 ISO 1101		mm		BSTIK	
ltr	ecn no	dr	date	tolerances unless otherwise specified		mm		title	
R	B-18988	LMU	14.10.06	angles	linear	.x ±0.30	mm	HDR PRESS FIT	
K	F08-0148	RTR	08.03.31			.xx ±0.15	mm	DOUBLE ROW	
L	F09-0043	JCO	09.05.07	dr	MULIN.L	.xxx ±0.05	mm	scale 5:1	
M	F10-0229	LMU	10.10.04	engr	COMPAGNON J			dwg no	
N	B16804	JCO	14.01.21	chr	NIZZI.P			sheet 1 of 1 size	
P	B-17404	JCO	14.04.07	appd	JM.C			93690 A3	
sheet index		revision sheet						type CUSTOMER Drawing	