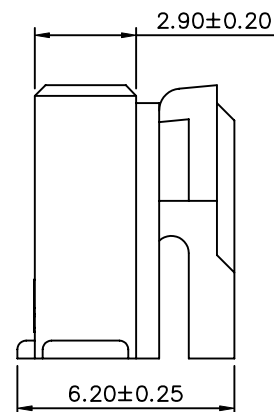
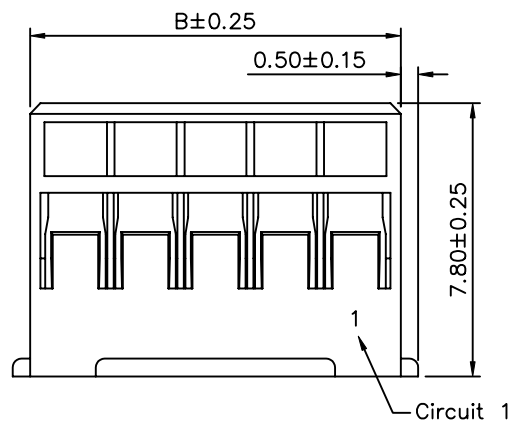
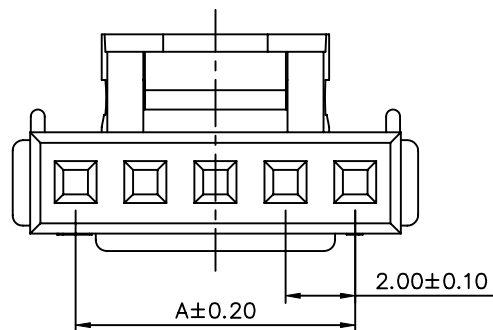


**SPECIFICATION**

Current Rating:3Amp AC/DC  
 Voltage Rating:250V AC/DC  
 Contact Resistance:30 Milliohms Max.  
 Insulation Resistance:1000 Megohms Min.  
 Withstanding Voltage:1000V AC/Minute  
 Temperature Range:-25°C ~ +85°C  
 Material:Nylon 66,UL94V-0,White  
 RoHS Compliant



Pin	A	B
02	2.00	4.60
03	4.00	6.60
04	6.00	8.60
05	8.00	10.60
06	10.00	12.60
07	12.00	14.60
08	14.00	16.60
09	16.00	18.60
10	18.00	20.60
11	20.00	22.60
12	22.00	24.60
13	24.00	26.60
14	26.00	28.60
15	28.00	30.60
16	30.00	32.60

**AUK** A MEMBER OF AUK GROUP  
**太聯事業股份有限公司**  
**AUK CONTRACTORS CO., LTD.**

CATEGORY		APPROVED BY		UNLESS OTHERWISE SPECIFIED TOLERANCES ARE .X ±0.25 .XX ±0.15 .XXX ±0.05				
PART No. PAXXH-H		MEI						
DRAWING No. PAXXH-H		CHECKED BY HZF						
		DRAWING BY LXX						
SCALE	NONE	REV.	A0	UNIT mm	△ A0	NEW RELEASE	HZF	08/21/2008
					NO. REV.	REVISIONS	CHK	DATE