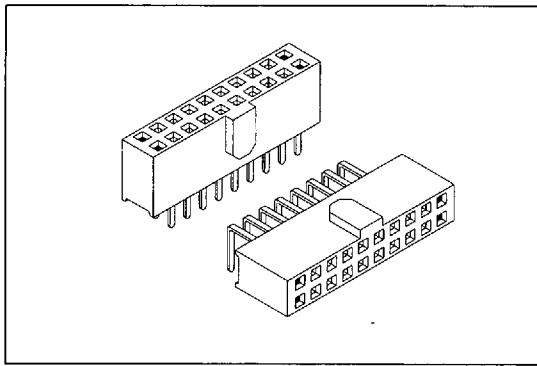


# 2046 SERIES

P.C.B. SOCKET 2.54mm X 2.54mm (0.100" X 0.100")



### Features:

- \* Available in both Straight and Right Angle.
- \* Low profile 8.50mm (0.335").
- \* Polarizing bump.
- \* Turning fork contacts offer lower cost for competitive market.

Mates with: 2011,2012,2013,3012,3016

### Material:

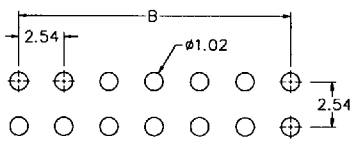
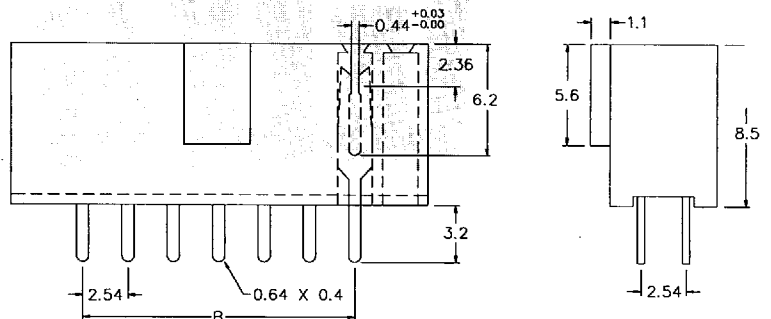
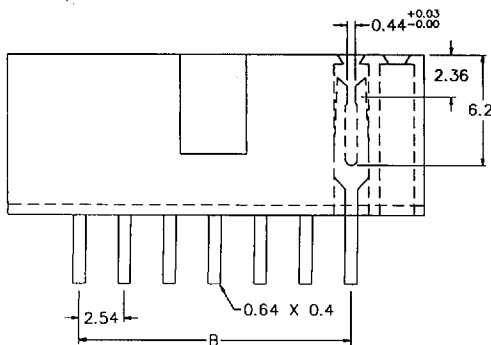
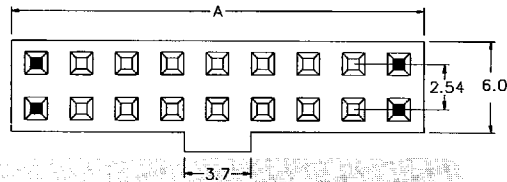
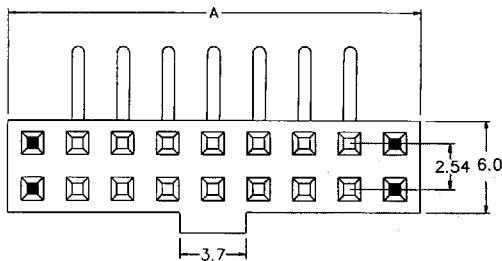
Housing: 30% Glass filled PBT UL94V-0.  
 Contacts: Phosphor Bronze.  
 Plating: Gold plated: 5μ" over 50μ" nickel.  
 Tin plated: 150μ" over 70μ" nickel.

### Electrical Characteristics:

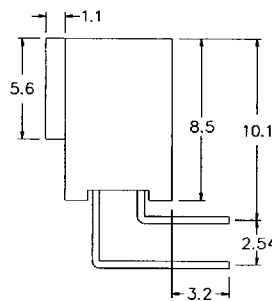
Current Rating: 1 AMP  
 Insulator Resistance: 5000M Ω min. at DC 500V  
 Contact Resistance: 20m Ω max. at DC 100mA  
 Operating Temperature: -55°C ~ +105°C

### Mechanical Characteristics:

Insertion Force: 140g avg. (0.64mm sq. pin)  
 Withdrawal Force: 114g avg. (0.64mm sq. pin)



P.C. Board Layout



Position	Dimension		Position	Dimension	
	A	B		A	B
6	13.20	5.08	30	43.68	35.56
8	15.74	7.62	34	48.76	40.64
10	18.28	10.16	40	56.38	48.26
14	23.36	15.24	44	61.46	53.34
16	25.90	17.78	48	66.54	58.42
20	30.98	22.86	50	69.08	60.96
24	36.06	27.94	60	79.24	73.66
26	38.60	30.48			

## Ordering information

2046-2 X 40  
 Series Double Row No. of Pin Per Row

G S  
 G: Gold Plated S: Straight  
 T: Tin Plated R: Right Angle