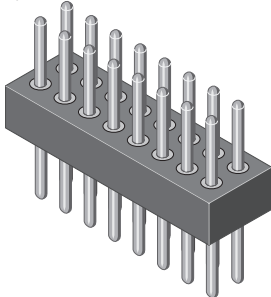


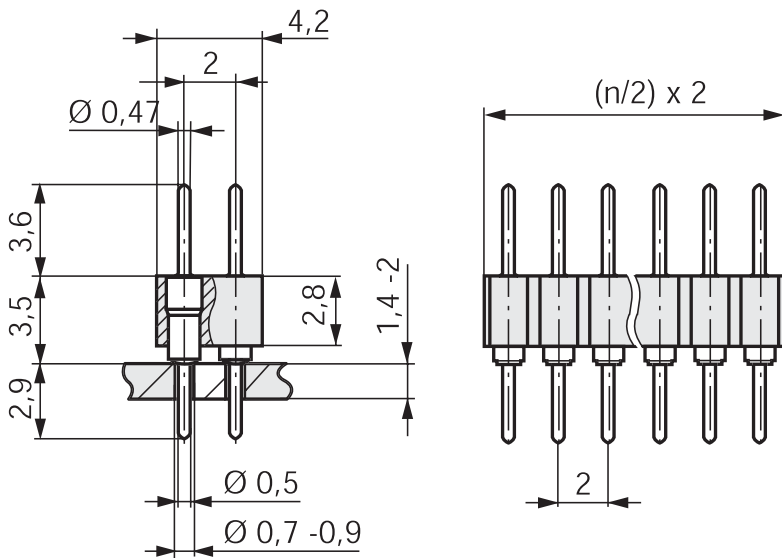
PIN HEADER „PRECISION“ 2,00 mm
ID: 162 STL 22-XXX

Series 510



TECHNICAL DATA

Pitch	2,00 mm
Insulating Material	high temp. thermoplast UL94V-0
Contact Material	Brass
Rated Current	3 Amp.
Rated Voltage	100 V _{RMS} /150 V _{DC}
Withstanding Voltage	min. 500 V _{RMS}
Operating Temperature	-40°C to +105°C
Maximum Soldering Temperature	260°C for 10 seconds



All dimensions in mm.
 Other dimensions upon request.

STL 22 - XXX XX U

- 22: 2 rows, pitch 2,0mm
- Pins: 4 - 100 poles possible
- Plating: SG = Au
 ST = Sn
- U: RoHS-compliant with high temp. plastic

8 | 2,00 mm