

# BOARD MOUNT SOCKET (Straight / Dual Entry)

## FEATURES

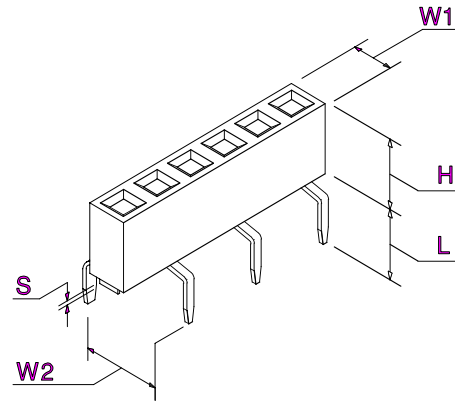
- Bottom mount sockets accept 0.025" square posts
- Allows soldering and plugging from same side of board
- Excellent for low profile (0.197" / 5,00mm) applications
- Dual-beam folded contact features lower insertion force
- Mates with Crane's PEG, MPEG, TPEG, and DPEG Headers

## STANDARD PART DIMENSIONS

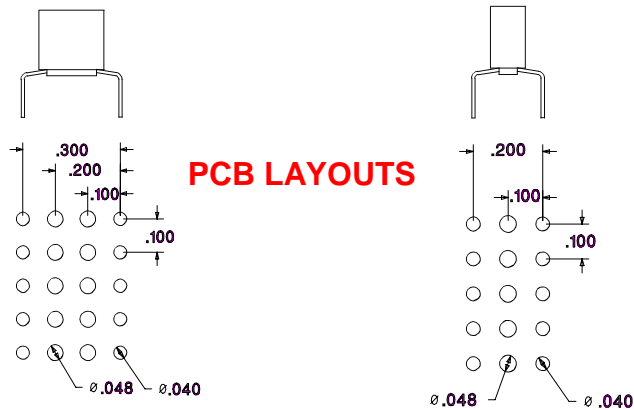
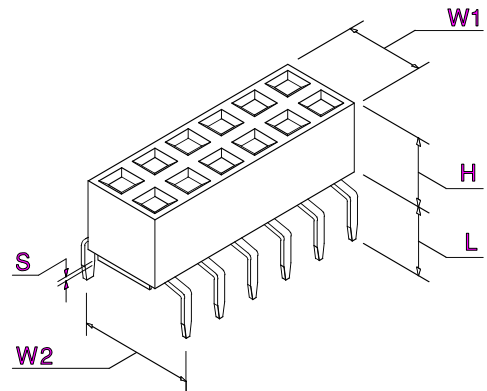
INSULATOR BODY		Single Row	Dual Row
W1	WIDTH	0.100" / 2,54mm	0.200" / 5,08mm
H	HEIGHT	0.197" / 5,00mm	0.197" / 5,00mm
S	STANDOFF	0.020" / 0,51mm	0.020" / 0,51mm
PC TAIL		Single Row	Dual Row
L	LENGTH	0.120" / 3,05mm	0.120" / 3,05mm
W2	WIDTH	0.200" / 5,08mm	0.300" / 7,62mm
WIDTH X THICKNESS		0.032" x 0.010" (0,80mm x 0,25mm)	
MATERIALS			
INSULATOR BODY		Glass Filled Polyester (UL94V-O)	
CONTACT		Phosphor Bronze	

See SPECIFICATIONS and PERFORMANCE DATA for more information.

## SINGLE ROW (2 to 40 Positions)



## DUAL ROW (4 to 80 Positions)



Crane's **BBP** Series Sockets can be used for **TOP** or **BOTTOM** entry

**SAMPLE HOTLINE: 1-800-676-7644**

<b>0.100" (2,54mm) Centers To Mate With 0.025" (0,64mm) Square Mating Posts</b>	<b>HOW TO ORDER CRANE'S BBP SERIES</b>								
	STANDARD PART NUMBER								OPT.
					--				
<b>PRODUCT SERIES</b>	BBP								
<b>TOTAL NUMBER OF POSITIONS</b>	SINGLE		02-40						
	DUAL		04-80						
<b>NUMBER OF ROWS</b>	SINGLE		S						
	DUAL		D						
<b>TYPE OF SOCKET</b>	STRAIGHT			S					
<b>CONTACT PLATING</b>	CHOOSE G, T or H, F								
	NOTE: Some platings may be subject to minimums								
<b>TAIL PLATING</b>	SAME AS CONTACT							C	
	TIN / LEAD (USED WITH GOLD CONTACT)							T	
<b>CONTACT SPACING</b>	DUAL ROW	0.100" x 0.300" (2,54mm x 7,62mm)					A		
	SINGLE ROW	0.100" x 0.200" (2,54mm x 5,08mm)							
<b>BOARD RETENTION OPTION</b>	KINKED TAILS								K

**SAMPLE HOTLINE: 1-800-676-7644**

## CRANE CONNECTORS - PLATING SPECIFICATIONS

PLATING OPTIONS		CONTACT AREA Inches (Millimeters)	PC TAIL Inches (Millimeters)	UNDERPLATE Inches (Millimeters)
<b>G</b>	Selective	15 $\mu$ " (0,00038) Gold	100 $\mu$ " (0,00254) Tin/Lead - Min	50 $\mu$ " (0,00127) Nickel - Min.
<b>T</b>	Tin / Lead	100 $\mu$ " (0,00254) Tin / Lead	100 $\mu$ " (0,00254) Tin/Lead - Min	50 $\mu$ " (0,00127) Nickel - Min.
<b>M</b>	Selective	50 $\mu$ " (0,00127) Gold	100 $\mu$ " (0,00254) Tin/Lead - Min	50 $\mu$ " (0,00127) Nickel - Min.
<b>H</b>	Selective	30 $\mu$ " (0,00076) Gold	100 $\mu$ " (0,00254) Tin/Lead - Min	50 $\mu$ " (0,00127) Nickel - Min.
<b>L</b>	Selective	10 $\mu$ " (0,00025) Gold	100 $\mu$ " (0,00254) Tin/Lead - Min	50 $\mu$ " (0,00127) Nickel - Min.
<b>F</b>	Selective	3 $\mu$ " (0,00008) Gold	100 $\mu$ " (0,00254) Tin/Lead - Min	50 $\mu$ " (0,00127) Nickel - Min.

ISO9001



Crane Connectors  
File No. A-3620

Registered by UL to ISO9001 under UL's accreditation by Raad voor de Certificatie (RvC), the Dutch Council for Certification.

**SAMPLE HOTLINE: 1-800-676-7644**