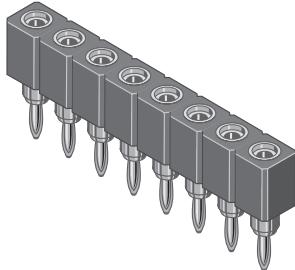


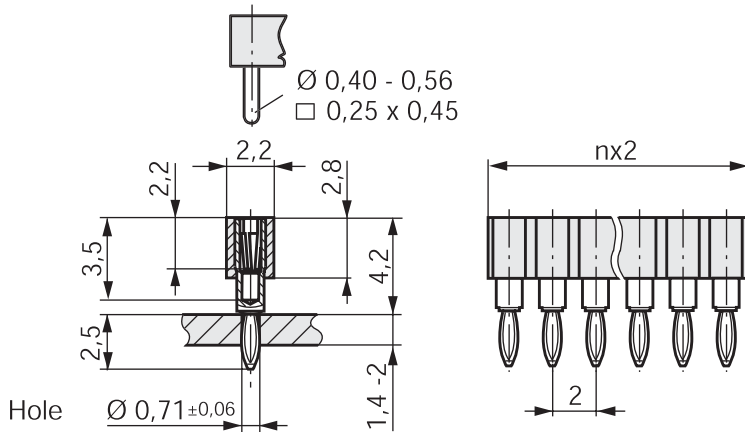
FEMALE HEADER PRECISION „PRESS FIT“ 2,00 mm
ID: 173 BL 12-XX PTG

Series 511

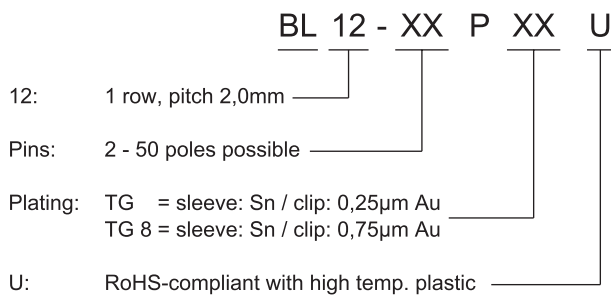


TECHNICAL DATA

Pitch	2,00 mm
Insulating Material	high temp. thermoplast UL94V-0
Contact Material	phosphor bronze/BeCu
Rated Current	3 Amp.
Rated Voltage	100 V _{RMS} / 150 V _{DC}
Withstanding Voltage	min. 500 V _{RMS}
Operating Temperature	-40°C to +105°C
Maximum Soldering Temperature	260°C for 10 seconds



All dimensions in mm.
 Other dimensions upon request.



8 | 2,00 mm