

A-65-07

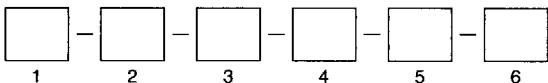


**D-SUBMINIATURE**

**INSULATION DISPLACEMENT**



**ORDERING INFORMATION**



**1. DESCRIPTION**

IDC = Insulation Displacement D-Subminiature

**2. POSITION**

- 09 = 9 contacts
- 15 = 15 contacts
- 25 = 25 contacts
- 37 = 37 contacts

**3. GENDER**

- P = Plug (Male)
- S = Socket (Female)

**4. SHELL MATERIALS**

- P = All Plastic
- M = Metal Shield

**5. MOUNTING OPTIONS**

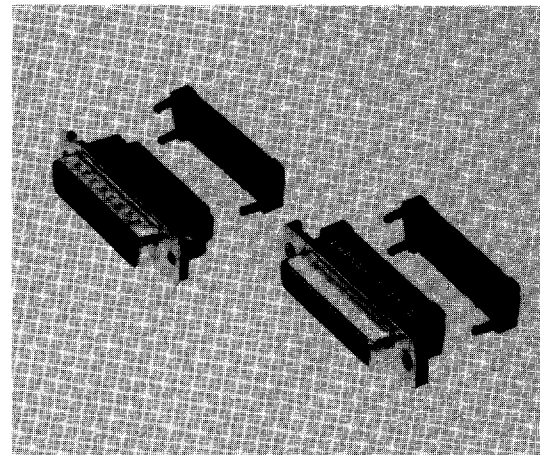
- H = .120" Through Hole
- T = #4-40 Threaded Insert (Metal shell ONLY)

**6. PLATING**

- 04 = Standard Gold Flash
- 30 = .000030" Gold

**FEATURES:**

- Standard Insulator color, blue
- Standard shell finish, tin
- Other colors and finishes available
- Plugs have grounding indents



**\*CABLE ASSEMBLY AVAILABLE**

**IDC SERIES SPECIFICATIONS:**

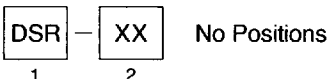
**MATERIALS:**

- Contacts: Copper alloy
- Plating: Gold over nickel
- Insulator: Glass filled polyester, UL 94V-O
- Shell: Steel, tin plated

**ELECTRICAL:**

- Voltage Rating: 300 VAC rms
- Current Rating: 5 amps per contact
- Insulation Resistance: 5 megohms (min.)
- Contact Resistance: 5 milliohms max.
- Wire Size: 22-28 AWG

**STRAIN RELIEF**



\*Custom factory cable assemblies available. Please call or fax customer specifications for price quote.

**DIMENSIONAL DATA**

All dimensions in (inches) and millimeters.

| SOCKET (FEMALE)     |               |               |               |               |
|---------------------|---------------|---------------|---------------|---------------|
| No. of Contact Pos. | Dimensions    |               |               |               |
|                     | A             | B             | C             | D             |
| 9                   | 16.33 (.643)  | 24.99 (.984)  | 30.81 (1.123) | 19.23 (.757)  |
| 15                  | 24.66 (.971)  | 33.32 (1.312) | 39.14 (1.541) | 27.56 (1.085) |
| 25                  | 38.38 (1.511) | 47.04 (1.852) | 53.04 (2.088) | 41.28 (1.65)  |
| 37                  | 54.84 (2.159) | 63.50 (2.500) | 69.32 (2.729) | 57.73 (2.273) |

| PLUG (MALE)         |               |               |               |               |
|---------------------|---------------|---------------|---------------|---------------|
| No. of Contact Pos. | Dimensions    |               |               |               |
|                     | A             | B             | C             | D             |
| 9                   | 16.92 (.666)  | 24.99 (.984)  | 30.81 (1.123) | 19.23 (.757)  |
| 15                  | 25.25 (.994)  | 33.32 (1.312) | 39.14 (1.541) | 27.56 (1.085) |
| 25                  | 38.96 (1.534) | 47.04 (1.852) | 53.04 (2.088) | 41.28 (1.65)  |
| 37                  | 55.42 (2.182) | 63.50 (2.500) | 69.32 (2.729) | 57.73 (2.273) |

