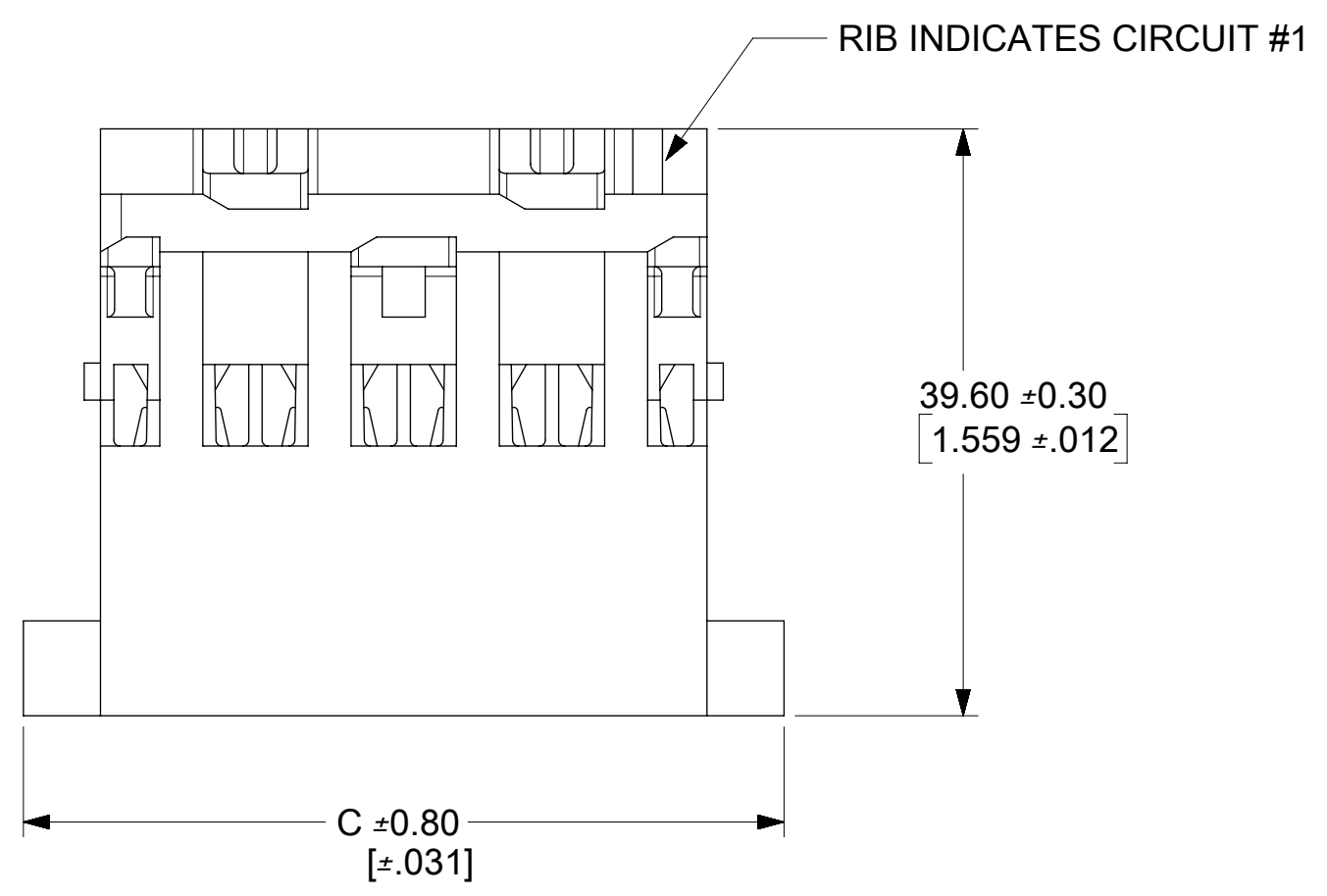


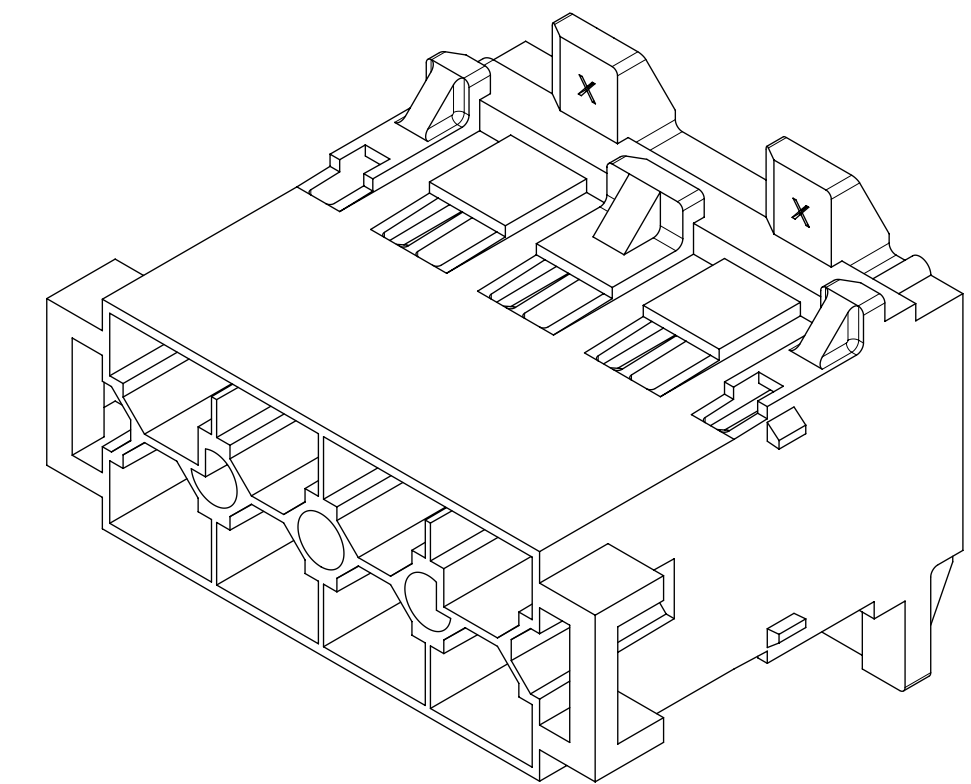
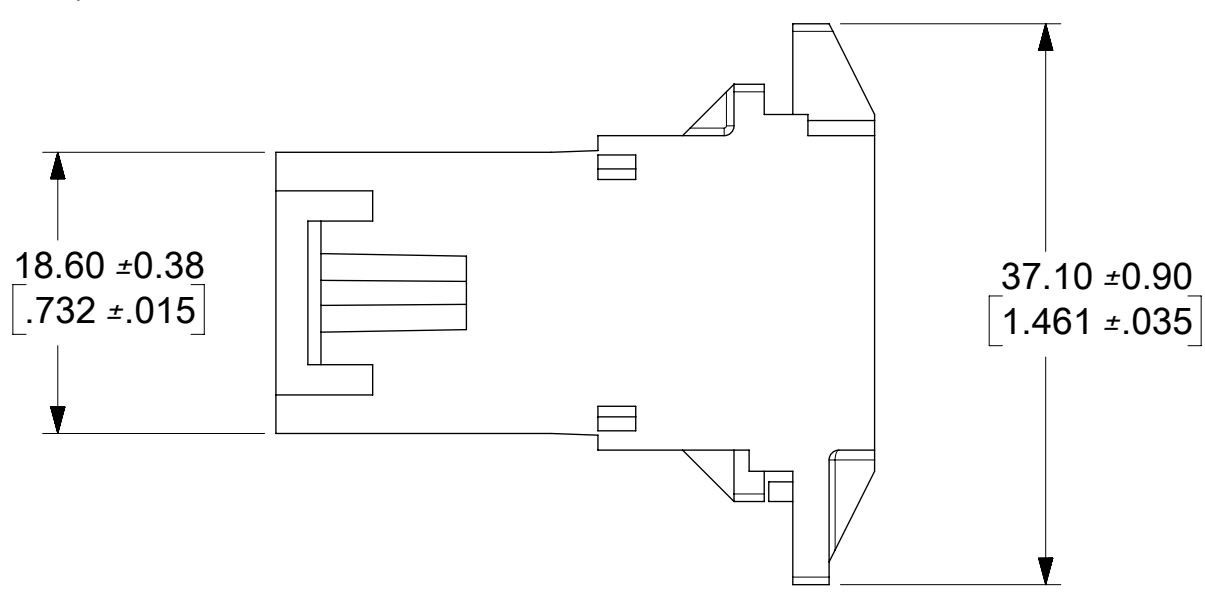
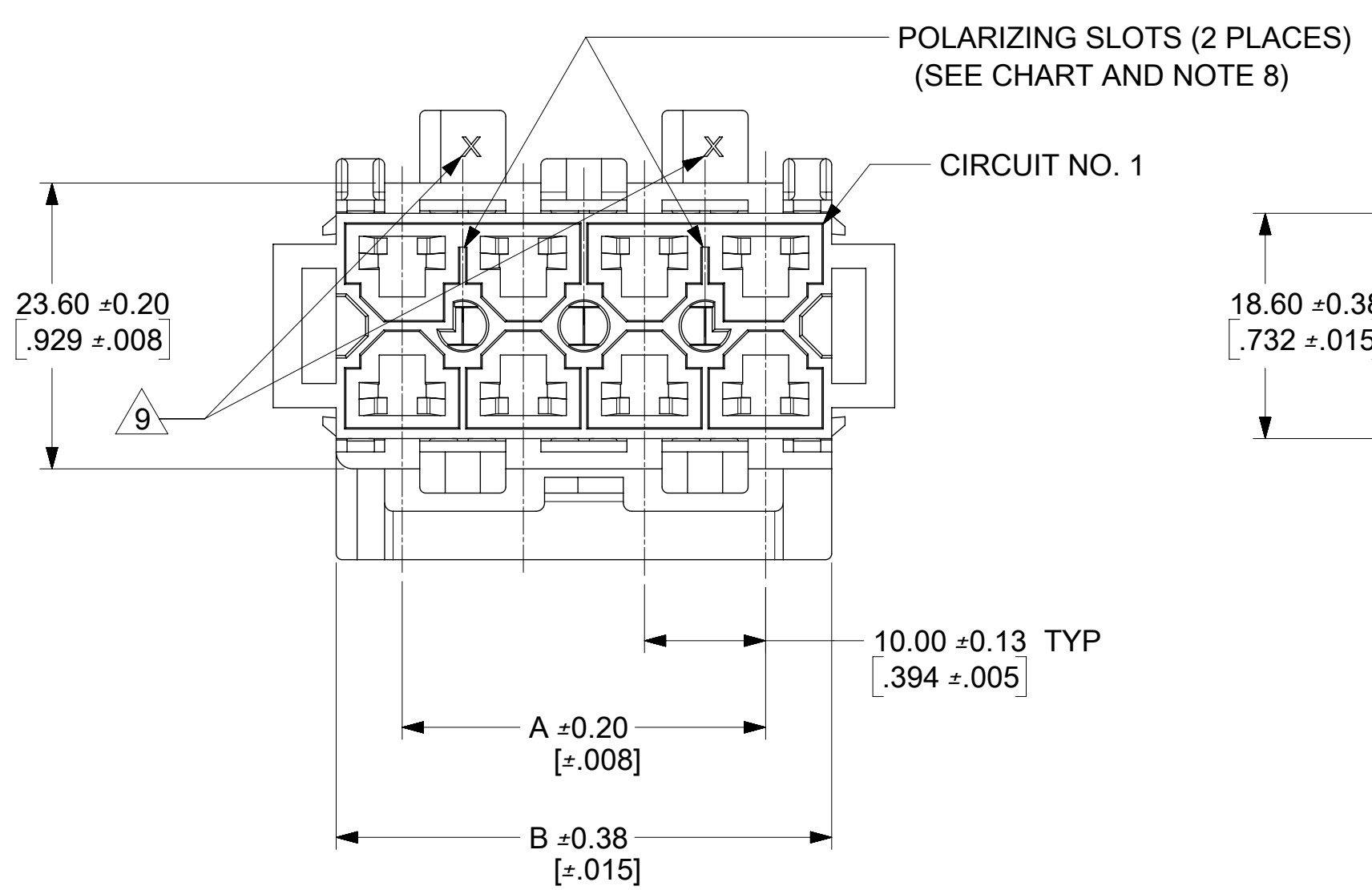
| MATERIAL NUMBER | POSITION NUMBER | DIM. A           | DIM. B           | DIM. C           | QUANTITY OF POLARIZING SLOTS | PANEL THICKNESS ACCOMMODATED |
|-----------------|-----------------|------------------|------------------|------------------|------------------------------|------------------------------|
| 439382201       | 6               | 20.00<br>[.787]  | 30.90<br>[1.216] | 41.30<br>[1.626] | 1                            | 1.30/1.76<br>[.051/.069]     |
| 439382202       | 8               | 30.00<br>[1.181] | 40.90<br>[1.610] | 51.30<br>[2.020] | 2                            |                              |
| 439382203       | 10              | 40.00<br>[1.575] | 50.90<br>[2.004] | 61.30<br>[2.413] | 2                            |                              |
| 439382204       | 12              | 50.00<br>[1.968] | 60.90<br>[2.398] | 71.30<br>[2.807] | 2                            |                              |
| 439382205       | 14              | 60.00<br>[2.362] | 70.90<br>[2.791] | 81.30<br>[3.201] | 2                            |                              |

**NOTES:**

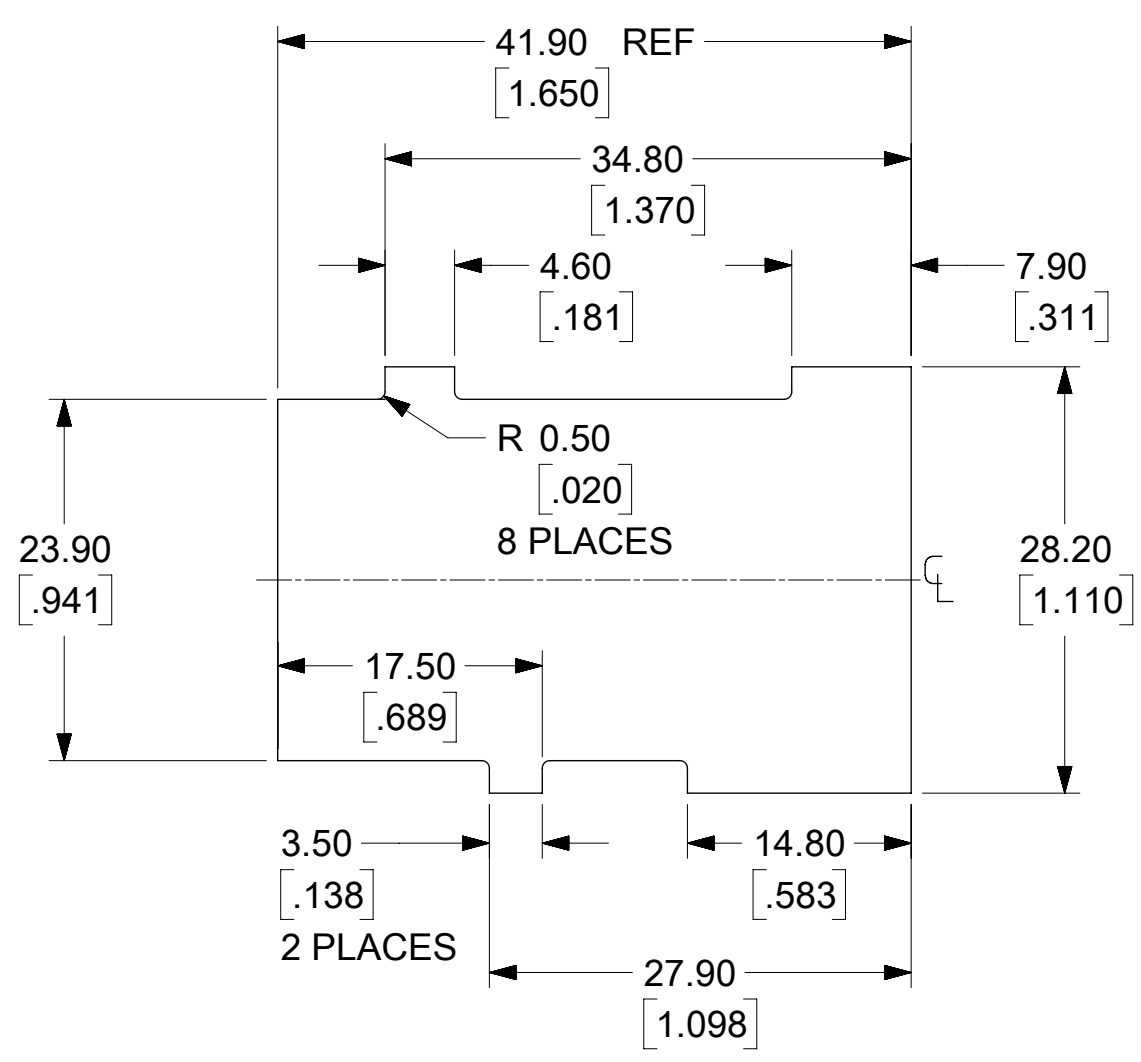
1. MATERIAL: UNFILLED POLYESTER, U.L. 94V-0, COLOR: BLACK
2. FINISH: NONE
3. PRODUCT SPEC: PS-42815-001
4. THIS PART IS DESIGNED TO USE MALE CRIMP TERMINAL #42817
5. THIS PART IS DESIGNED TO USE T.P.A. #43980
6. THIS PART IS DESIGNED TO MATE WITH RECEPTACLE HOUSING #43914
7. SEE SHEET 2 FOR PANEL CUT-OUT DETAILS
8. POLARIZING SLOTS TO BE LOCATED BETWEEN CIRCUITS ON EITHER END OF HOUSING OF THE CIRCUIT 1 ROW AS SHOWN.  
EXCEPTION: THE 6 CIRCUIT HOUSING WILL HAVE A SINGLE SLOT ON THE CIRCUIT 1 END ONLY
9. AN "X" IS ENGRAVED AS SHOWN TO DESIGNATE THAT THE PART ACCOMMODATES A 1.30/1.76 PANEL THICKNESS
10. PARTS TO BE PACKAGED: 6~10 CKT PER PK-43938-001, 12~14 CKT PER PK-45286-002



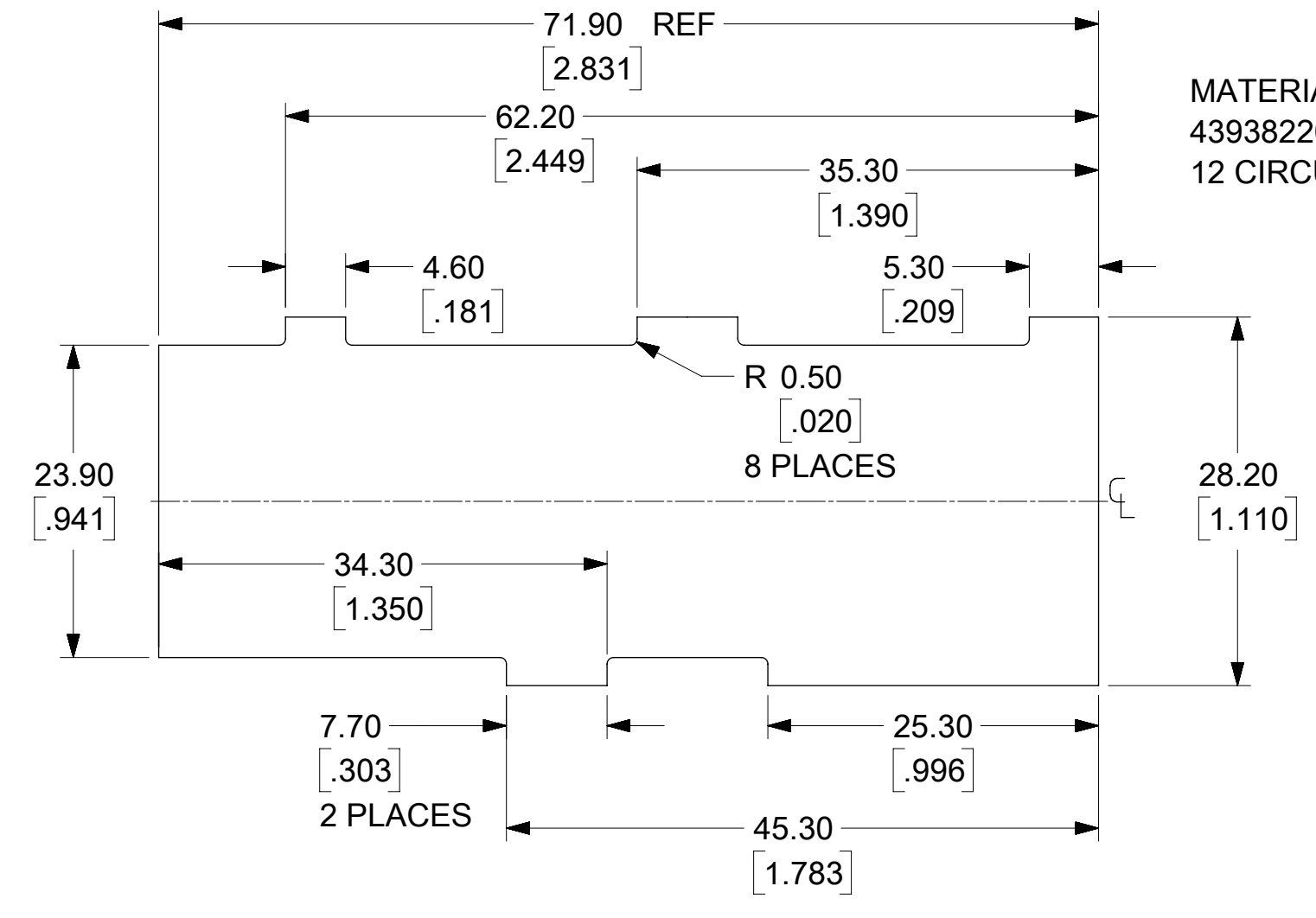
**THIS PRODUCT MUST NOT BE USED WITHOUT THE T.P.A.**



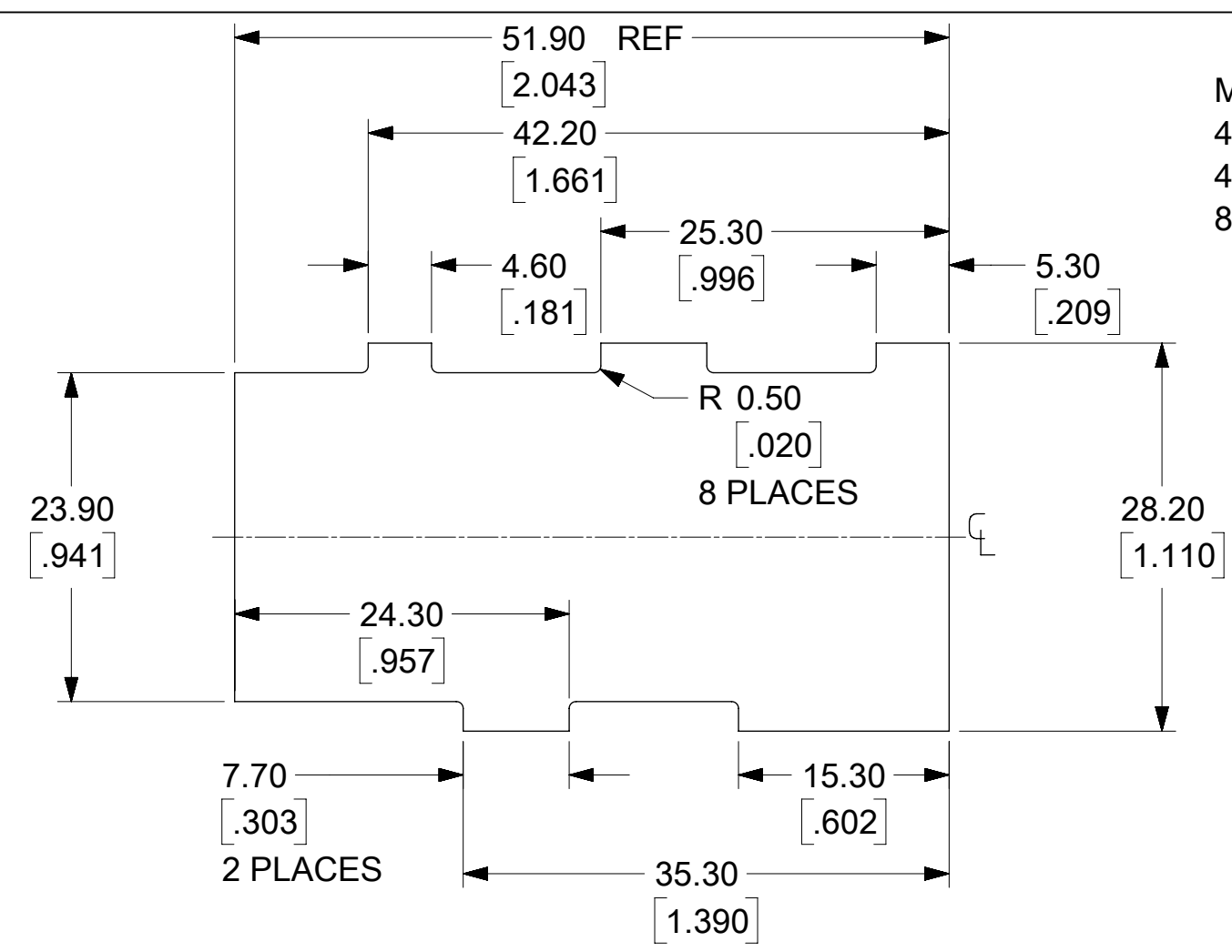
|   |  |         |  |   |  |                |  |                 |  |                   |  |            |  |
|---|--|---------|--|---|--|----------------|--|-----------------|--|-------------------|--|------------|--|
| THIS DRAWING CONTAINS INFORMATION THAT IS PROPRIETARY TO MOLEX ELECTRONIC TECHNOLOGIES, LLC AND SHOULD NOT BE USED WITHOUT WRITTEN PERMISSION |  |         |  |   |  |                |  |                 |  |                   |  |            |  |
| DIMENSION UNITS   |  | SCALE   |  | CURRENT REV DESC: MIGRATED TO ECTR  |  |                |  |                 |  |                   |  |            |  |
| IN/MM   |  | 2:1     |  | <b>molex</b><br>DUAL ROW PANEL MOUNT<br>PLUG, 6-14 CIRCUIT, MINI-FIT SR. SERIES<br>PRODUCT CUSTOMER DRAWING |  |                |  |                 |  |                   |  |            |  |
| GENERAL TOLERANCES (UNLESS SPECIFIED)   |  |         |  |   |  |                |  |                 |  | EC NO: 171562     |  | 2017/10/24 |  |
| 4 PLACES  |  | ±       |  |   |  |                |  |                 |  | DRWN: RLALSANGI   |  | 2018/05/04 |  |
| 3 PLACES  |  | ±       |  |   |  |                |  |                 |  | CHK'D: ISHWARG    |  | 2018/05/04 |  |
| 2 PLACES  |  | ±       |  |   |  |                |  |                 |  | APPR: ISHWARG     |  | 2018/05/04 |  |
| 1 PLACE   |  | ±       |  |   |  |                |  |                 |  | INITIAL REVISION: |  |            |  |
| 0 PLACES  |  | ±       |  | DRWN: JDFOX   |  | 2014/08/21     |  |                 |  |                   |  |            |  |
| ANGULAR TOL   |  | ± 0.5 ° |  | APPR: FSMITH  |  | 2014/08/25     |  |                 |  |                   |  |            |  |
| DRAFT WHERE APPLICABLE MUST REMAIN WITHIN DIMENSIONS  |  |         |  | THIRD ANGLE PROJECTION  |  | DRAWING        |  | SERIES          |  |                   |  |            |  |
|   |  |         |  | C-SIZE  |  | 43938          |  | MATERIAL NUMBER |  |                   |  |            |  |
|   |  |         |  |   |  | SEE CHART      |  | CUSTOMER        |  |                   |  |            |  |
|   |  |         |  |   |  | GENERAL MARKET |  | SHEET NUMBER    |  |                   |  |            |  |
|   |  |         |  |   |  | 1 OF 2         |  |                 |  |                   |  |            |  |



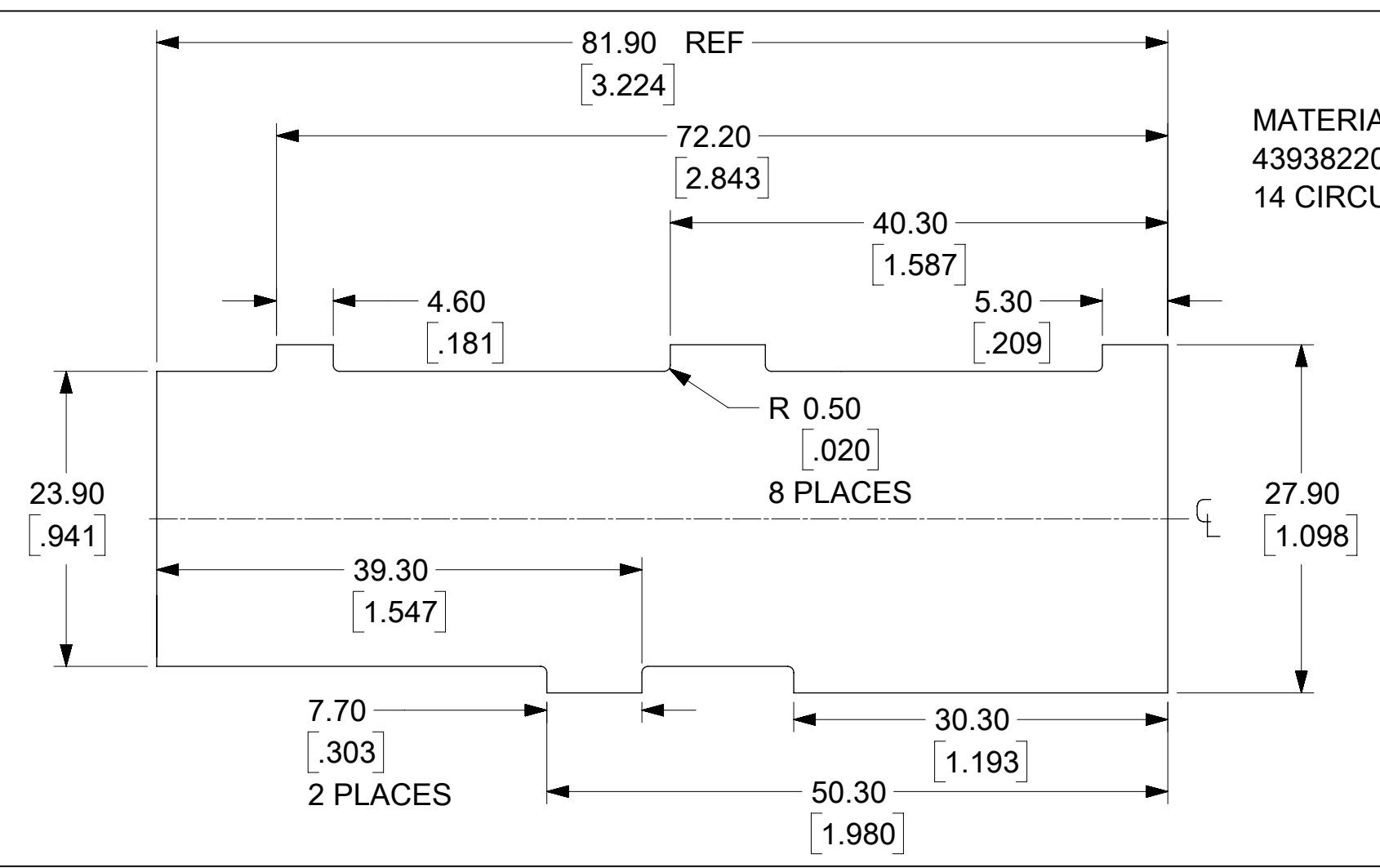
MATERIAL NO.:  
439382201  
6 CIRCUIT



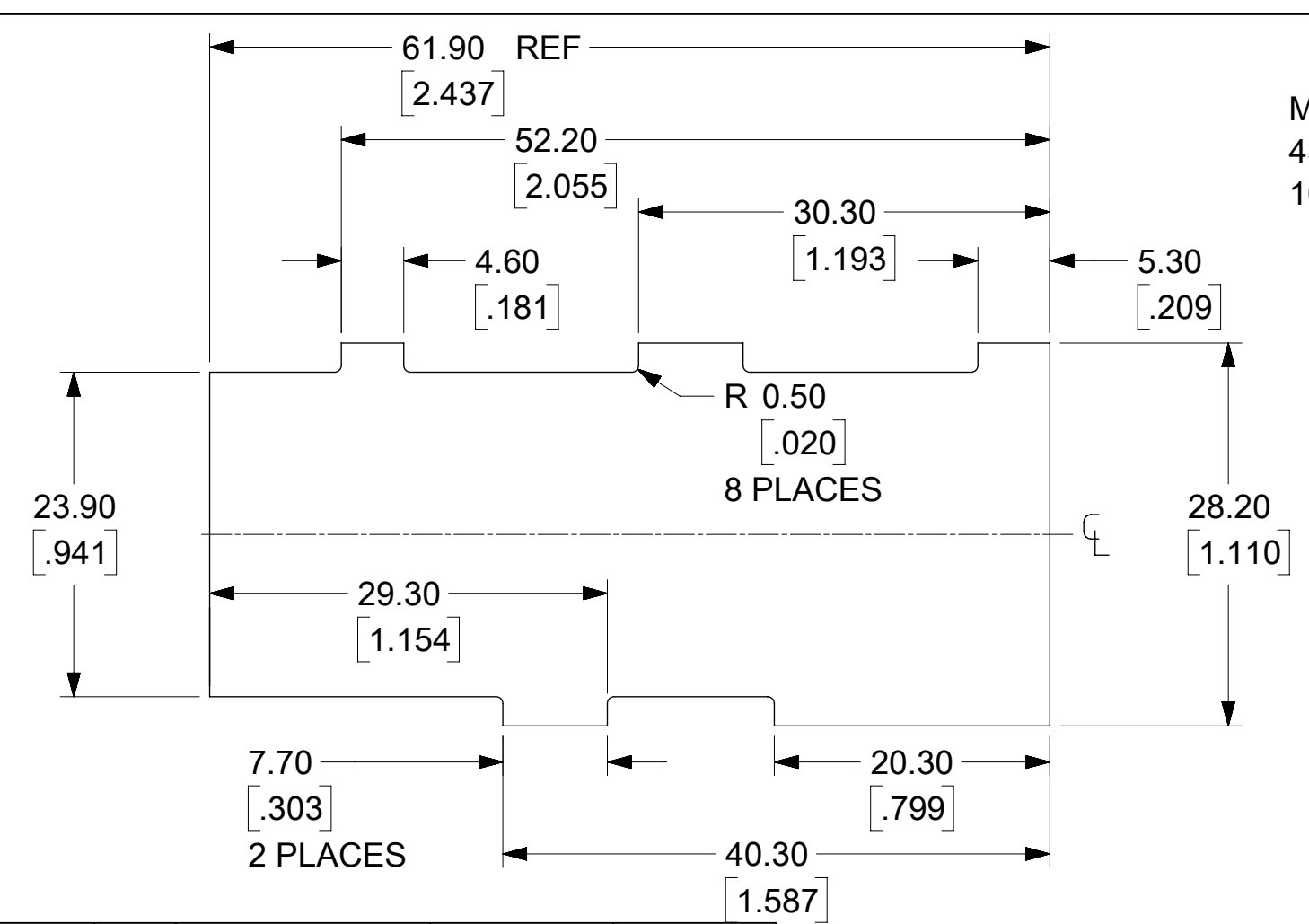
MATERIAL NO.:  
439382204  
12 CIRCUIT



MATERIAL NO.:  
439381102  
439382202  
8 CIRCUIT



MATERIAL NO.:  
439382205  
14 CIRCUIT



MATERIAL NO.:  
439382203  
10 CIRCUIT

PANEL OPENINGS SHOWN FROM OUTSIDE OF BOX.  
SEE CHART FOR PANEL THICKNESS

|   |  |                        |   |   |  |            |  |  |  |
|---|--|------------------------|---|---|--|------------|--|--|--|
| THIS DRAWING CONTAINS INFORMATION THAT IS PROPRIETARY TO MOLEX ELECTRONIC TECHNOLOGIES, LLC AND SHOULD NOT BE USED WITHOUT WRITTEN PERMISSION |  |                        |   |   |  |            |  |  |  |
| DIMENSION UNITS   |  | SCALE                  |   | CURRENT REV/DESC: MIGRATED TO ECTR  |  |            |  |  |  |
| IN/MM   |  | 2:1                    |   | <p><b>molex</b></p> <p>DUAL ROW PANEL MOUNT<br/>PLUG, 6-14 CIRCUIT, MINI-FIT SR. SERIES</p> <p>PRODUCT CUSTOMER DRAWING</p> <p>DOCUMENT NUMBER: SD-43938-003   DOC TYPE: PSD   DOC PART: 001   REVISION: B1</p> <p>MATERIAL NUMBER: SEE CHART   CUSTOMER: GENERAL MARKET   SHEET NUMBER: 2 OF 2</p> |  |            |  |  |  |
| GENERAL TOLERANCES (UNLESS SPECIFIED)   |  |                        |   |   |  |            |  |  |  |
| 4 PLACES  |  | ±                      | ± |   |  |            |  |  |  |
| 3 PLACES  |  | ±                      | ± |   |  |            |  |  |  |
| 2 PLACES  |  | ±                      | ± |   |  |            |  |  |  |
| 1 PLACE   |  | ±                      | ± | EC NO: 171562   |  | 2017/10/24 |  |  |  |
| 0 PLACES  |  | ±                      | ± | DRWN: RLALSANGI   |  | 2018/05/04 |  |  |  |
| ANGULAR TOL   |  | ± 0.5 °                |   | CHK'D: ISHWARG  |  | 2018/05/04 |  |  |  |
| DRAFT WHERE APPLICABLE MUST REMAIN WITHIN DIMENSIONS  |  | THIRD ANGLE PROJECTION |   | APPR: ISHWARG   |  | 2018/05/04 |  |  |  |
|   |  |                        |   | INITIAL REVISION:   |  |            |  |  |  |
|   |  |                        |   | DRWN: JDFOX   |  | 2014/08/21 |  |  |  |
|   |  |                        |   | APPR: FSMITH  |  | 2014/08/25 |  |  |  |
|   |  |                        |   | DRAWING   |  | SERIES     |  |  |  |
|   |  |                        |   | C-SIZE  |  | 43938      |  |  |  |

|                 |    |              |            |          |
|-----------------|----|--------------|------------|----------|
| DOCUMENT STATUS | P1 | RELEASE DATE | 2018/05/04 | 12:38:16 |
|-----------------|----|--------------|------------|----------|