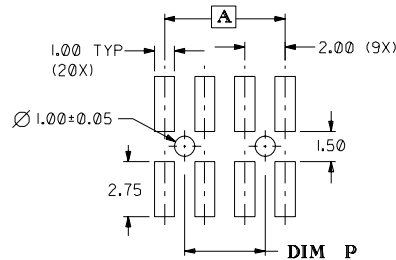
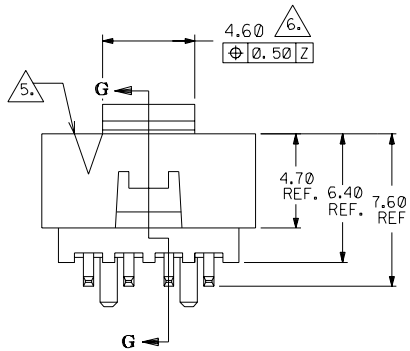
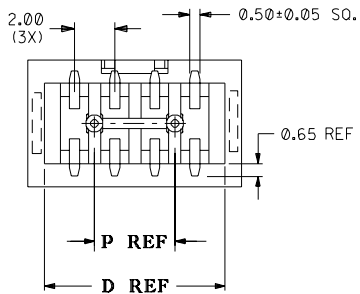


SECTION G-G
SCALE - 4 : 1



RECOMMENDED PCB PATTERN



PART NUMBER LEGEND:

87332 - * * 0 6
CKT SIZE

PEG OPTION	PART NO.			CKT SIZE	DIMENSION				
	WITH CAP IN TAPE/REEL	WITH CAP IN TUBE	WITHOUT CAP IN TUBE		A	B	C	D	P
NO	87332-0406	87332-0408	87332-0410	4	2.00	4.85	6.65	5.00	-
YES	87332-0606	87332-0608	87332-0610	6	4.00	6.85	8.65	7.00	2.00
YES	87332-0806	87332-0808	87332-0810	8	6.00	8.85	10.65	9.00	4.00
YES	87332-1006	87332-1008	87332-1010	10	8.00	10.85	12.65	11.00	6.00
YES	87332-1206	87332-1208	87332-1210	12	10.00	12.85	14.65	13.00	8.00

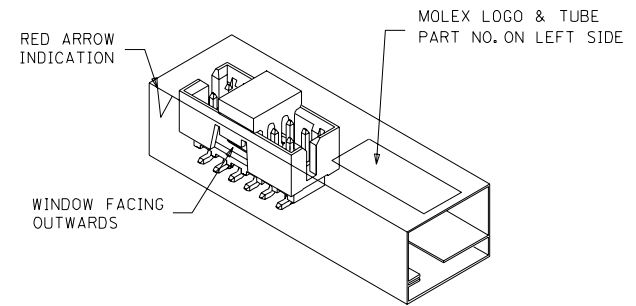


FIG.1 : ORIENTATION OF PART IN TUBE.

(FOR THE REFERENCE OF PART/TUBE ASSEMBLY.)

NOTES:

- FOR ILLUSTRATION PURPOSES, 8 CIRCUIT SIZE WAFER IS SHOWN
- PRODUCT SPECIFICATION PS-87331 APPLIES.
- COPLANARITY IS TO BE MEASURED BY RESTING THE SOLDER TAIL ON A GAUGE SURFACE.
- PLATING
0.38um/15uin GOLD IN CONTACT AREA,
TIN/LEAD IN SOLDER TAIL AREA,
BOTH OVER NICKEL OVERALL.
- CKT 4 & 6 HAS NO IDENTIFICATION TAG
- CAP TO BE POSITIONED IN THE CENTER OF HEADER FOR PICK AND PLACE.

MM

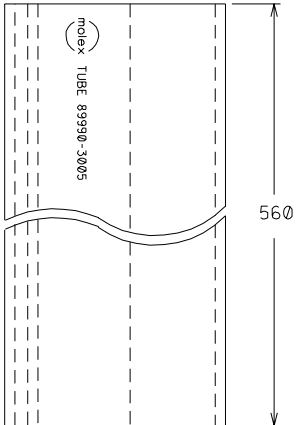
SHT	1	2
REV	A12	A9

A12	REL 87332-0406/0606/0806 PER PDR* 01-09-0710 (ECN* S2002-01601)	-	SEE	010926	MATERIAL : HOUSING : HIGH TEMP THERMOPLASTIC, UL 94V-0, COLOR BLACK	<p>MOLEX SINGAPORE PTE LTD SHEET 1 OF 2</p>
A11	CHG 87332-1006 EMBOSS WIDTH TO 24MM (ECN* S2002-0099)	-	SEE LING	010823	PIN : 0.50MM SQ. PHOSPHOR BRONZE	
A10	REMOVE 'NT' FOR 87332-1006 PER PDR* 01-07-0679 (ECN* S2002-0023)	-	SEE LING	010719	FINISH :	GENERAL TOLERANCES ± 0.20/008 DWG. NO.: SD187332-**-06 REV A12
A9	ADD 'NT' FOR 87332-1006 (ECN* S2000-0400)	-	SEE LING	000425	SEE ABOVE	
LTR	REVISION RECORD	ECN	DR	CHK	DATE	DRAWN BY SEE 951129 APPR'D BY ROY 951221 CHK'D BY GMS 951221 SCALE 4 : 1 TITLE : MGRID SMT SHROUDED HDR. WITH LOCK FEATURE, STANDOFF, LOC. PEG, CAP AND IN TUBE OR TAPE/REEL.

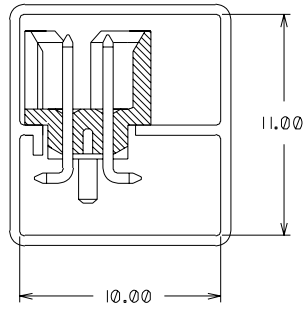
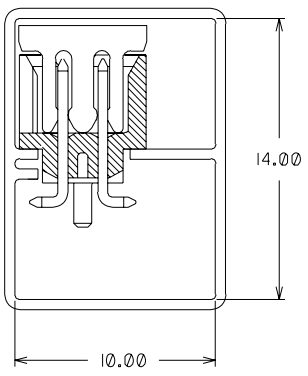
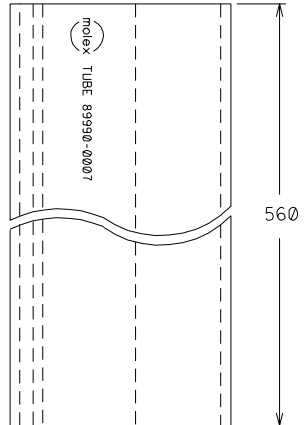
REVISE ONLY ON CAD SYSTEM

DWG. NO. SDJ87332-**-06
CAD FILE S33206B.DGN

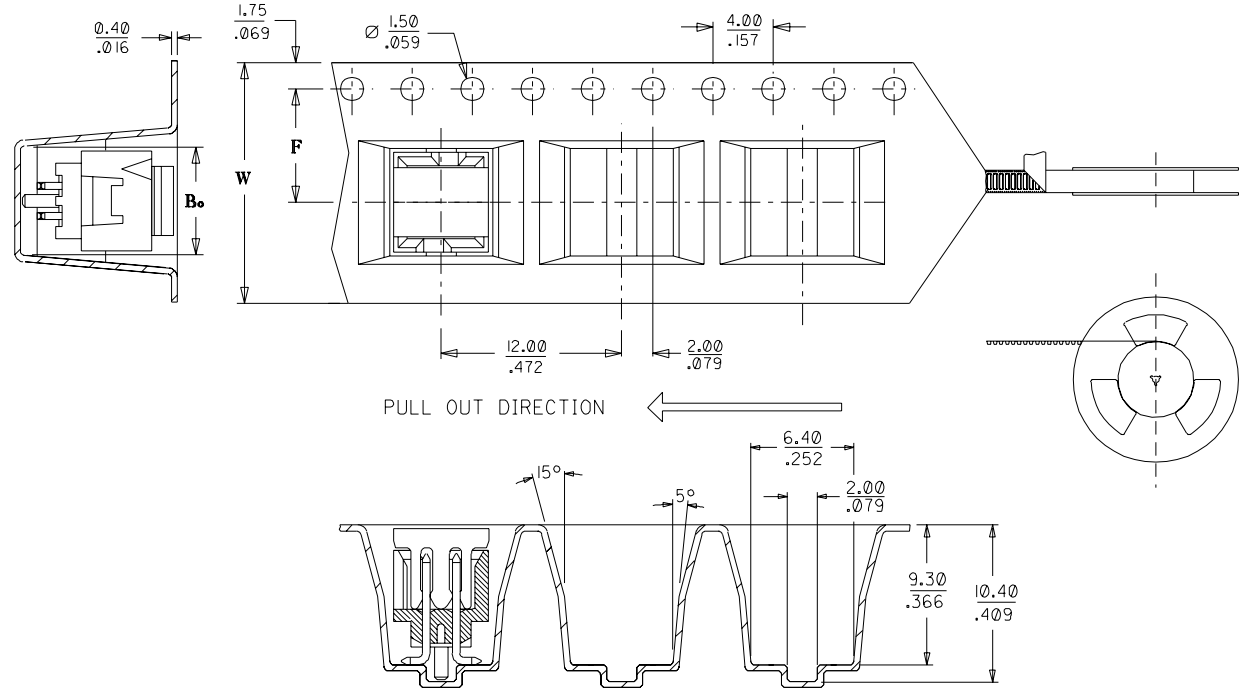
**WITH CAP
TUBE PACKAGING**



**WITHOUT CAP
TUBE PACKAGING**



EMBOSSED CARRIER TAPE 'A'



PART NO. WITH CAP IN TAPE/REEL	CKT. NO.	F	B ₀	S ₀	W
87332-0406	04	7.50	7.15	-	16.00
87332-0606	06	11.50	9.15	-	24.00
87332-0806	08	11.50	11.05	-	24.00
87332-1006	10	11.50	13.05	-	24.00
87332-1206	12	14.20	15.15	28.40	32.00

MM

				MATERIAL : HOUSING : HIGH TEMP THERMOPLASTIC, UL 94V-0, COLOR BLACK		MOLEX SINGAPORE PTE LTD SHEET 2 OF 2	
				PIN : 0.50MM SQ. PHOSPHOR BRONZE			
A9	REL 87332-0406/0606/0806 PER PDR# 01-09-0710 (ECN# S2002-0160)	-	SEE	Ø10926	FINISH : SEE ABOVE	GENERAL TOLERANCES ± 0.20/.008 REV A9	
A8	CHG 87332-1006 EMBOSS WIDTH TO 24MM (ECN# S2002-0099)	-	SEE LING	Ø10823			
A7	REMOVE 'N1' FOR 87332-1006 PER PDR# 01-07-0679 (ECN# S2002-0023)	-	SEE LING	Ø10719			
LTR	REVISION RECORD	ECN	DR CHK	DATE	DRAWN BY SEE 951129	CHK'D BY GMS 951221	DWG. NO.: SDJ87332-**-06 TITLE : MGRID SMT SHROUDED HDR. WITH LOCK FEATURE, STANDOFF, LOC. PEG, CAP AND IN TUBE OR TAPE/REEL.
REVISE ONLY ON CAD SYSTEM					APPR'D BY ROY 951221	SCALE 4 : 1	

DO NOT SCALE DRAWING

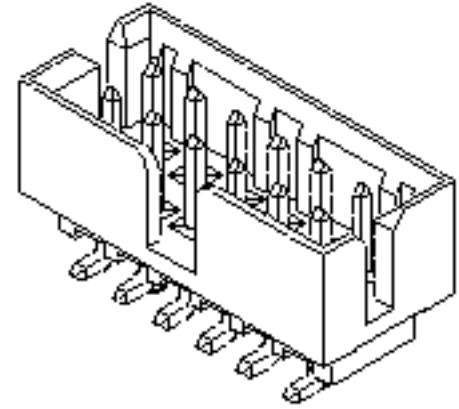
Datasheet
PCB Headers

2.00mm (.079") Pitch Milli-Grid™ Header, Shrouded, Vertical, SMT 87332

[[Home](#) > [Products](#) > [PCB Headers](#) > Datasheet]

[Help](#)

Status	Active
Promotable	Yes
Access Level	Internet
Pitch / Center Spacing	2.00mm (.079")
Circuits / Positions	4, 6, 8, 10, 12, 14, 16, 18, 20, 22, 24, 26, 28, 30, 32, 34, 36, 38, 40, 42, 44, 46, 48, 50
Rows	2
Designed In	Millimeters
Temperature Range	-55°C to +105°C
Plating Contact	0.38µm (15µ") Gold (Au), 0.76µm (30µ") Gold (Au)
Plating Tail	Tin/Lead (Sn/Pb)
Under Plating	Nickel (Ni)
Current-max [amps]	2.0A
Voltage-max [volts]	125V
Withstanding Voltage	1000V AC
Insulation Resistance [ohms]	1000 Megohms min.
Shrouded	Yes
Pin Header	Yes
Pin Size	0.50mm (.020") Square
Orientation	Vertical
PCB Mounting	Surface Mount
PCB Thickness	0.80mm (.031")
PCB Locator	Yes
Packaging	Tube
Housing Material	Nylon 4/6
Color	Black



Features and Benefits

- Sizes 4 to 50 circuits
- Fully shrouded to protect pins during mating/unmating
- Center slot for polarization
- Front latches for mechanical locking
- Locating pegs for automatic insertion process
- Center polarization slot (8 to 12 circuits); center polarization and front latches (14 to 50 circuits)

Flammability	UL 94V-0
Contact	Phosphor Bronze
Product Specification	PS-87331
UL File No.	E29179
CSA File No.	LR19980
Product Name	Milli-Grid™
MX01 Catalog Page	B-23, B-4
Molex Series	87332

[E-mail this page to a friend](#)

[© Copyright 2002 Molex Incorporated]