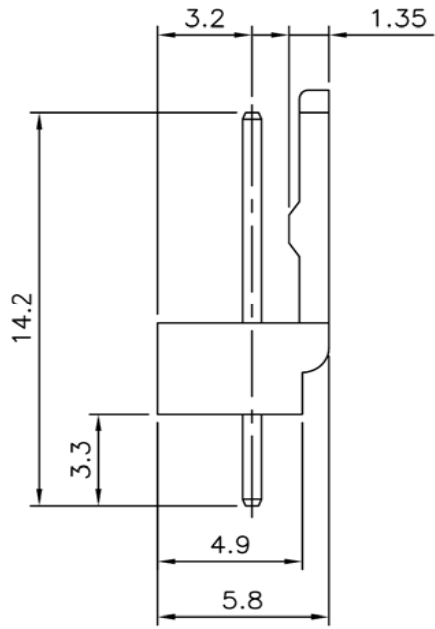
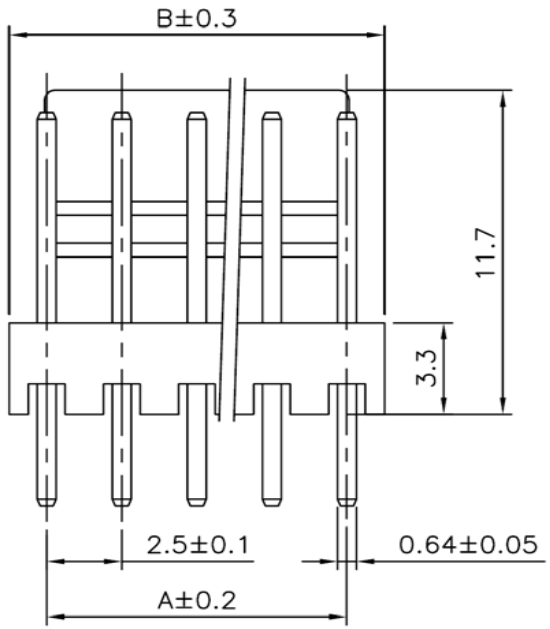


Recommended PC Board Layout :

SPECIFICATIONS

- Voltage rating: 250VAC/DC
- Current rating: 3 amps AC/DC
- Contact material: Brass
- Contact plating: Tin
- Contact resistance: 20 milliohms max.
- Insulator material: Nylon 66, UL94V-2
- Insulation resistance: 1,000 megohms min.
- Withstanding: 1,000 VAC for 1 min.
- Temperature range: -25°C to +85°C

Packaging: 1,000 pcs/bag



Poles	A (mm)	B (mm)
02	2.50	5.00
03	5.00	7.50
04	7.50	10.00
05	10.00	12.50
06	12.50	15.00
07	15.00	17.50
08	17.50	20.00
09	20.00	22.50
10	22.50	25.00
11	25.00	27.50
12	27.50	30.00
13	30.00	32.50
14	32.50	35.00
15	35.00	37.50

RoHS compliant

Rev.	Description	Date	Approved	Drawing	Name	Date
				Approved	Howard	08/10/99
				Checked	Lizzy	08/10/99
				Drawn	Tina	08/10/99
				0.0 ± 0.35	0.00 ± 0.20	Angles ± 3'
				UNIT: mm		

Central Components Manufacturing
 440 Lincoln Blvd., Middlesex, New Jersey 08846
 Phone 732 469-5720 888 288-5152 Fax 732 469-1919

Part No.: **JS-6002-XX**

Description: Crimp style wafer, 2.50mm pitch, straight type