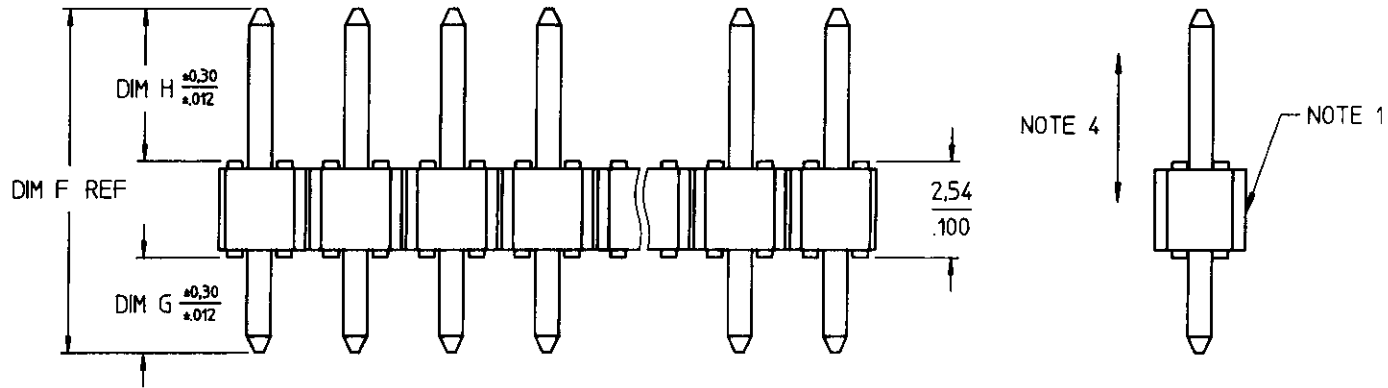
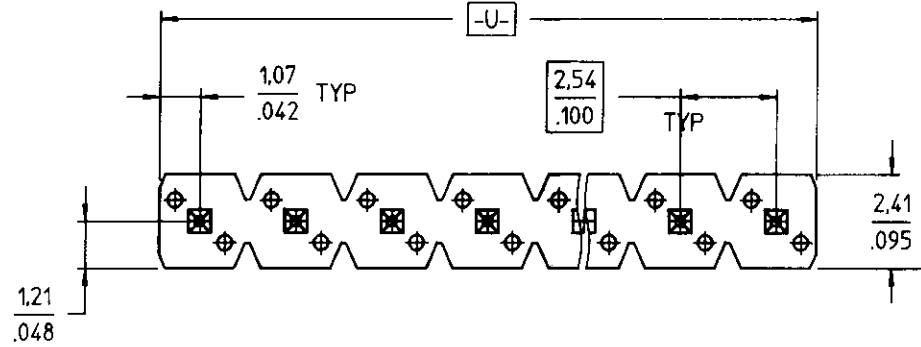


PRODUCT NO
SEE TABLE

REV	DESCRIPTION	REV'D BY	DATE
E	ECR K40044	WW LEE	07NOV94
F	ECR K40056	WW LEE	11JAN95
G	ECR F60431	J.M.COM.	05JUL.96



CUSTOMER COPY

GEN. TOLERANCES X,X±0.3/XX±.01 X,XX±0.13/XXX±.005 X,XXX±0.05V,XXXX±.0020 ANGLES = ±2°		DO NOT SCALE DWG. 		
DESCRIPTION ECON-STIK HEADER .100/2.54 cc S/R STRAIGHT		NAME DATE BK CHUA 05JUL.96		
DRAWN BK CHUA		CHECKED 		PRODUCT NO. 92846
APPROVED 		DATE 8.7.96		SCALE SHT. 1 OF 2

PRODUCT NO	NO. OF POS.	TOTAL LENGTH	TAIL LENGTH	MATING LENGTH	PLATING TYPE
		DIM. F	DIM. G	DIM. H	
92846-001-XX	1 THRU 36	10,80 / .425	2,41 / .095	5,84 / .230	2u" Au OVER 50u" Ni
92846-002-XX	1 THRU 36	13,03 / .513	2,41 / .095	8,08 / .318	2u" Au OVER 50u" Ni
92846-003-XX	1 THRU 36	11,81 / .465	3,43 / .135	5,84 / .230	2u" Au OVER 50u" Ni

REV
E
F
G

NOTES :

- ① BODY MATERIAL : 20% MIN. GLASS FILLED NYLON.
FLAME RETARDANT PER UL-94V-0.
COLOR : BLACK.
- 2 PIN MATERIAL : BRASS.
- 3 TWO SIDES OF PIN TIPS NOT PLATED. TYPICAL BOTH ENDS.
- ④ 2 LBS / 0,9 KG MIN PIN RETENTION IN EITHER DIRECTION.
- 5 PACKAGE IN POLY BAGS PER BUS-14-099.
- 6 PART NO CONSIST OF;

92846-XXX-XX	
	→ NO OF POSITION
	→ BASE P/NO
- 7 FOR EUROPEAN SOURCING , SEE DWG 95265

GEN. TOLERANCES XX±0,3/XX±01 X,XX±0,13/XXX±,005 XXX±0,051/XXX±,0020 ANGLES = ±2°		DO NOT SCALE DWG. 		
	NAME	DATE		PRODUCT NO.
DRAWN	BK CHUA	05 JUL 96		92846
CHECKED		5/7/96		SCALE
APPROVED		8.7.96		SHT 2 OF 2

CUSTOMER COPY