

RECTIFIER STACK (FAST RECOVERY CENTER TAP)

TOSHIBA (DISCRETE/OPTO)

39 DE 9097250 0002341 0

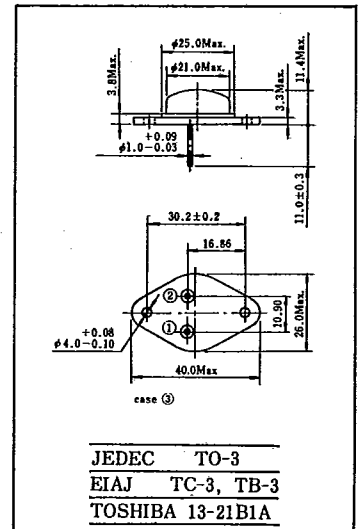
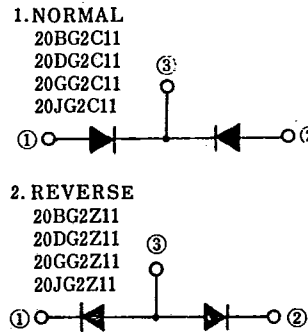
Unit in mm

20JG2C11 600V 20A

MAXIMUM RATINGS

CHARACTERISTIC		SYMBOL	RATING	UNIT
Repetitive Peak Reverse Voltage	20BG2C11, 20BG2Z11	V _{RRM}	100	V
	20DG2C11, 20DG2Z11		200	
	20GG2C11, 20GG2Z11		400	
	20JG2C11, 20JG2Z11		600	
Output rectified current (Note 1)		I _o	20	A
Peak One Cycle Surge Forward Current (Non-Repetitive)		I _{FSM}	150 (50Hz)	A
Junction Temperature		T _j	-40~150	°C
Storage Temperature Range		T _{stg}	-40~150	°C

DIAGRAM CIRCUT



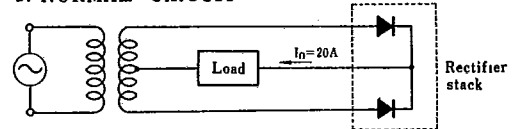
ELECTRICAL CHARACTERISTICS

CHARACTERISTIC	SYMBOL	CONDITION	MIN.	TYP.	MAX.	UNIT
Peak forward voltage	V _{FM}	I _{FM} =20A, T _a =25°C	-	-	1.6	V
Repetitive Peak Reverse Current	I _{RRM}	V _{RM} =Rated, T _a =150°C	-	-	5	mA
Reverse recovery time	t _{rr}	I _{FM} =20A, T _a =25°C di/dt = -30A/μs	-	-	800	ns
Thermal Resistance	R _{th(j-c)}	DC Junction to case	-	-	2.5	°C/W

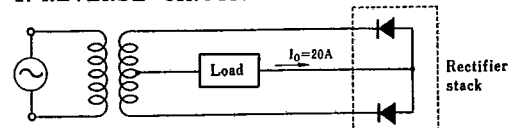
Notes : 1. To mount rectifier stack on the heat sink, coat the contact surface with grease in advance.

OUTPUT CURRENT INDICATION CIRCUIT

1. NORMAL CIRCUIT



2. REVERSE CIRCUIT

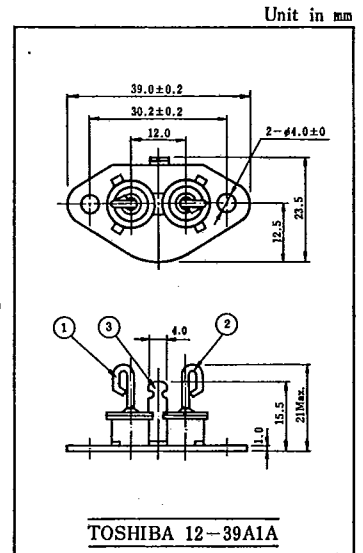
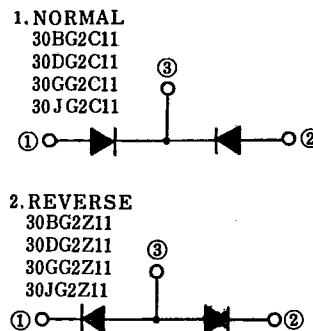


30JG2C11 600V 30A

MAXIMUM RATINGS

CHARACTERISTIC		SYMBOL	RATING	UNIT
Repetitive Peak Reverse Voltage	30BG2C11, 30BG2Z11	V _{RRM}	100	V
	30DG2C11, 30DG2Z11		200	
	30GG2C11, 30GG2Z11		400	
	30JG2C11, 30JG2Z11		600	
Output current (Note 1)		I _o	30	A
Peak One Cycle Surge Forward Current (Non-Repetitive)		I _{FSM}	150 (50Hz)	A
Junction temperature		T _j	-40~150	°C
Storage temperature range		T _{stg}	-40~150	°C

CIRCUIT DIAGRAM



ELECTRICAL CHARACTERISTICS

CHARACTERISTIC	SYMBOL	CONDITION	MIN.	TYP.	MAX.	UNIT
Peak Forward Voltage	V _{FM}	I _{FM} =30A, T _a =25°C	-	-	1.6	V
Repetitive Peak Reverse Current	I _{RRM}	V _{RM} =Rated, T _j =150°C	-	-	6.0	mA
Reverse Recovery Time	t _{rr}	I _F =10A, V _R =30V, T _a =25°C	-	-	200	ns

Notes : 1. To mount the rectifier stack on the heat sink, coat the contact surface with grease in advance.

OUTPUT CURRENT INDICATION CIRCUIT

NORMAL CIRCUIT

