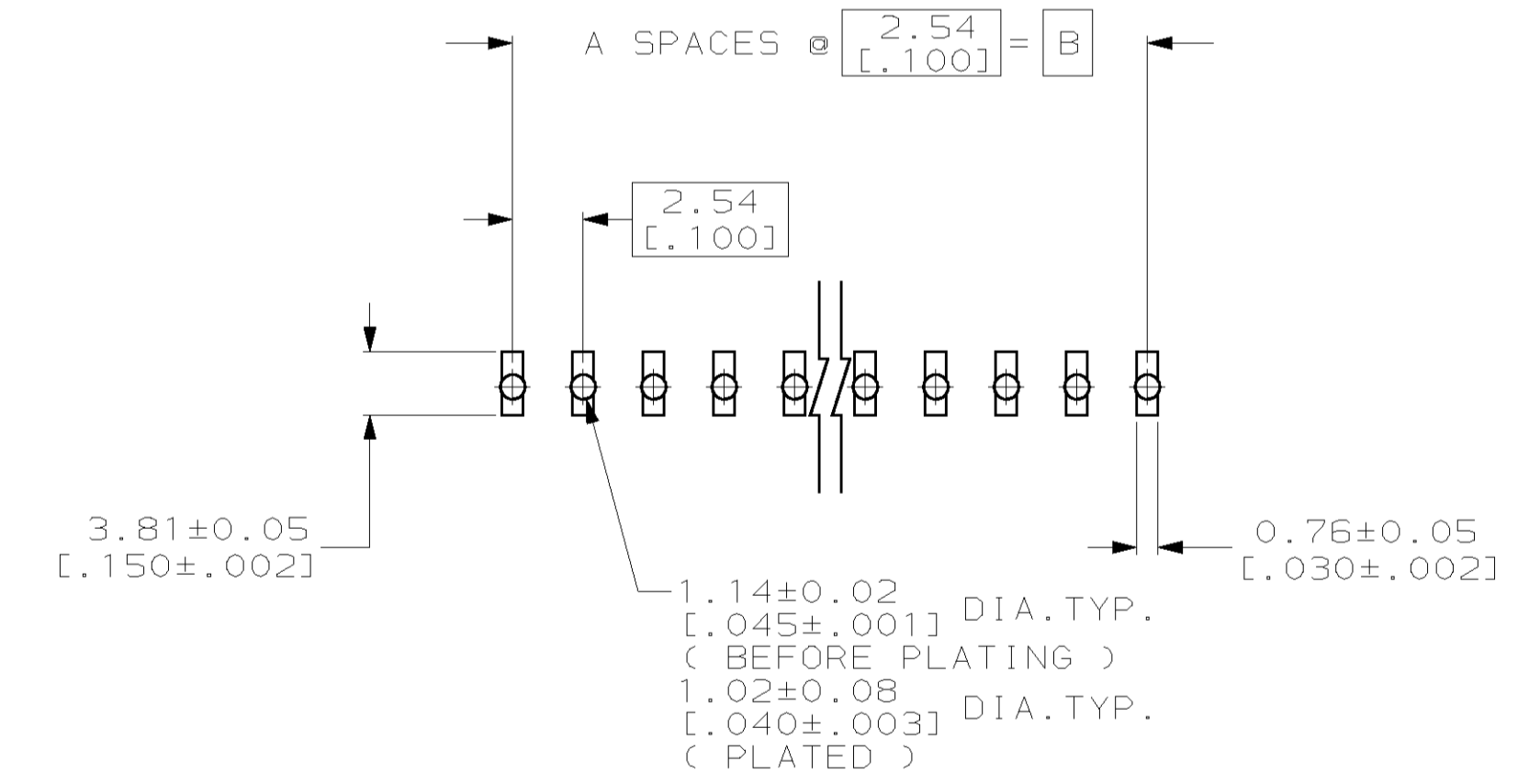
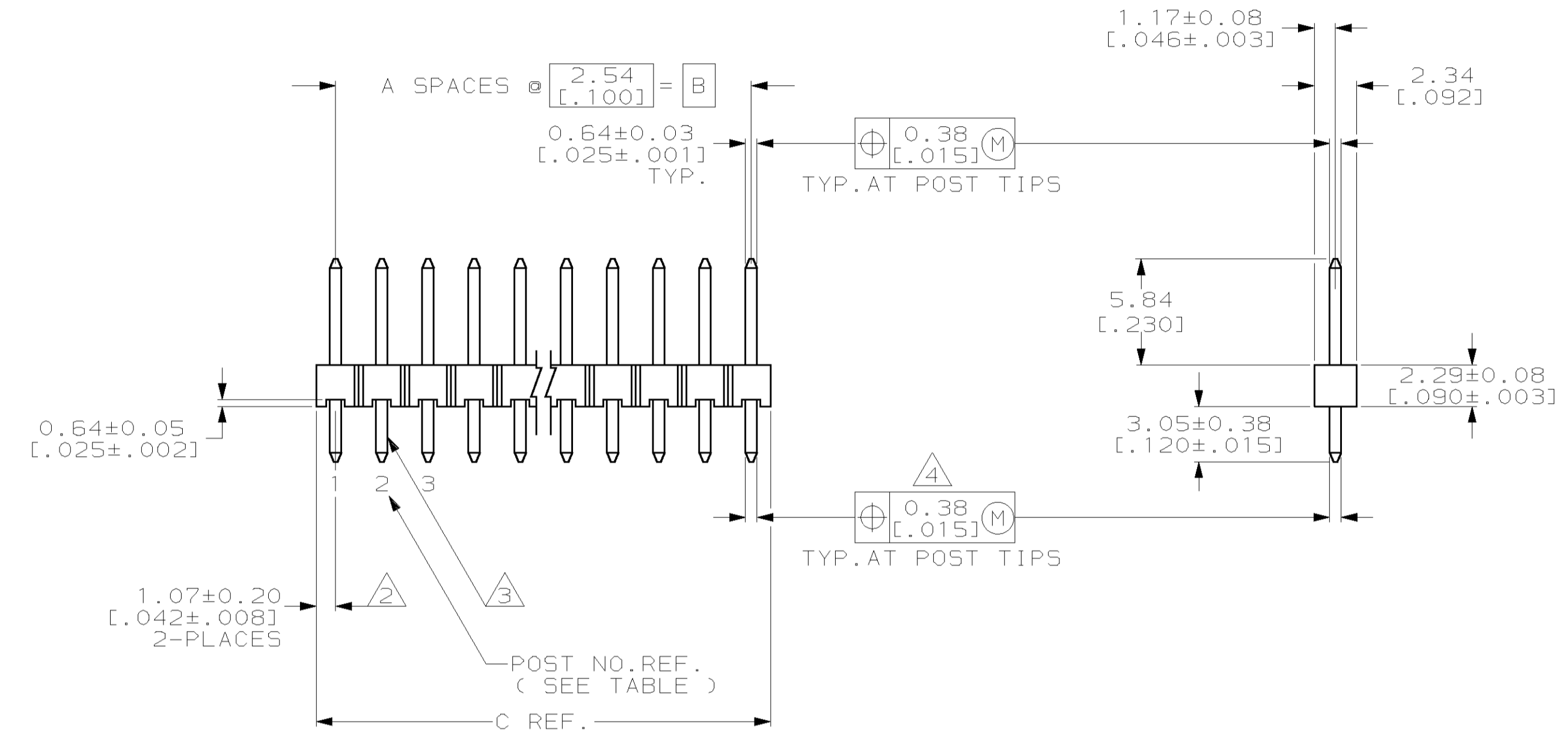


REVISONS		DATE	BY	APPV
0	DP 4633-95-70	6/12/95	TH	GD
A	EC 0010-0252-96	2/17/97	LSB	GD
B	REV PER 0430-0373-97	18-NOV-97	EB	JG
C	REV PER 0430-0257-97	19AUG99	BH	JG
D	REV PER 0621-0107-98	10NOV99	BH	JG
E	REV PER 0621-0244-98	30NOV99	BH	JG
F	REV PER 063C-0248-99	31JAN00	BH	JG
G	REV PER 063C-0229-99	04FEB00	BH	JG
H	REV PER EC 063C-0495-03	10MAR04	-	JG

- TRUE POSITION TOLERANCE OF THE POST TIPS APPLIES WHEN THE HEADERS ARE HELD FLAT AGAINST THE PRINTED CIRCUIT BOARD.
- THE NOTED DIMENSIONS APPLY AT THE INTERSECTION OF THE POST AND THE HOUSING.
- RETENTION FEATURES ON SOLDER TAILS, LOCATED AT MANUFACTURERS OPTION.
- $\varnothing .020 \text{ (M)}$ FOR KINKED TAILS.
- 0.00254-0.00504 [.000100-.000200] MATTE TIN-LEAD, ALL OVER 0.00127 [.000050] NICKEL.
- HOUSING: LCP, COLOR-BLACK.
POSTS: PHOSPHOR BRONZE



RECOMMENDED PC BOARD MOUNTING DIMENSIONS FOR .063 [.160] THICK PC BOARD AND .012 [.305] STENCIL THICK.

LOC	DIST	REV	LYR	DESCRIPTION	DATE	BY	APPV
101.19	99.06	39	40	4-146290-0			
[3.984]	[3.900]						
98.65	96.52	38	39	3-146290-9			
[3.884]	[3.800]						
96.11	93.98	37	38	3-146290-8			
[3.784]	[3.700]						
93.57	91.44	36	37	3-146290-7			
[3.684]	[3.600]						
91.03	88.90	35	36	3-146290-6			
[3.584]	[3.500]						
88.49	86.36	34	35	3-146290-5			
[3.484]	[3.400]						
85.95	83.82	33	34	3-146290-4			
[3.384]	[3.300]						
83.41	81.28	32	33	3-146290-3			
[3.284]	[3.200]						
80.87	78.74	31	32	3-146290-2			
[3.184]	[3.100]						
78.33	76.20	30	31	3-146290-1			
[3.084]	[3.000]						
75.79	73.66	29	30	3-146290-0			
[2.984]	[2.900]						
73.25	71.12	28	29	2-146290-9			
[2.884]	[2.800]						
70.71	68.58	27	28	2-146290-8			
[2.784]	[2.700]						
68.17	66.04	26	27	2-146290-7			
[2.684]	[2.600]						
65.63	63.5	25	26	2-146290-6			
[2.584]	[2.500]						
63.09	60.96	24	25	2-146290-5			
[2.484]	[2.400]						
60.55	58.42	23	24	2-146290-4			
[2.384]	[2.300]						
58.01	55.88	22	23	2-146290-3			
[2.284]	[2.200]						
55.47	53.34	21	22	2-146290-2			
[2.184]	[2.100]						
52.93	50.80	20	21	2-146290-1			
[2.084]	[2.000]						
50.39	48.26	19	20	2-146290-0			
[1.984]	[1.900]						
47.85	45.72	18	19	1-146290-9			
[1.884]	[1.800]						
45.31	43.18	17	18	1-146290-8			
[1.784]	[1.700]						
42.77	40.64	16	17	1-146290-7			
[1.684]	[1.600]						
40.23	38.10	15	16	1-146290-6			
[1.584]	[1.500]						
37.69	35.56	14	15	1-146290-5			
[1.484]	[1.400]						
35.15	33.02	13	14	1-146290-4			
[1.384]	[1.300]						
32.61	30.48	12	13	1-146290-3			
[1.284]	[1.200]						
30.07	27.94	11	12	1-146290-2			
[1.184]	[1.100]						
27.53	25.40	10	11	1-146290-1			
[1.084]	[1.000]						
24.99	22.86	9	10	1-146290-0			
[.984]	[.900]						
22.45	20.32	8	9	146290-9			
[.884]	[.800]						
19.91	17.78	7	8	146290-8			
[.784]	[.700]						
17.37	15.24	6	7	146290-7			
[.684]	[.600]						
14.83	12.70	5	6	146290-6			
[.584]	[.500]						
12.29	10.16	4	5	146290-5			
[.484]	[.400]						
9.75	7.62	3	4	146290-4			
[.384]	[.300]						
7.21	5.08	2	3	146290-3			
[.284]	[.200]						
4.67	2.54	1	2	146290-2			
[.184]	[.100]						
2.13	-	0	1	146290-1			
[.084]	-						

SUPERSEDED BY 146266-1
OBSOLETE

DIMENSIONS: \varnothing TOLERANCES UNLESS OTHERWISE SPECIFIED. 0 PLC ±.01 1 PLC ±.02 2 PLC ±.03 3 PLC ±.04 4 PLC ±.05 ANGLES ±.01		FINISH: POSTS WEIGHT: - CUSTOMER DRAWING		DWN: I. HOFFMAN 6/12/95 CHK: G. DUBNICZKI 1/2/96 APPV: G. DUBNICZKI 1/2/96 PRODUCT SPEC: - APPLICATION SPEC: - SIZE: A1 CASE CODE: 00779 DRAWING NO: C-146290		AMP Incorporated Harrisburg, PA 17105-3608 HEADER ASSEMBLY, MOD II, BREAKAWAY, SINGLE ROW, HIGH TEMPERATURE, VERTICAL WITH RETENTION FEATURE, W/.025 SQ. POSTS, .100CL	
MATERIAL: \varnothing		NO. OF POSITIONS: A PART NUMBER: 146290-1		SCALE: 4:1 SHEET: 1 OF 1 REV: H		AMP	