

# BOARD MOUNT SOCKET (Horizontal Entry)

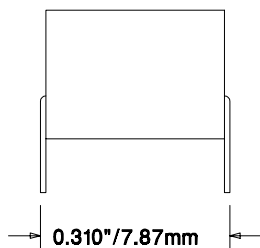
### FEATURES

- Box style contact has lower insertion force
- Lower normal force per contact
- Greater number of insertions, withdrawals
- Designed for perpendicular board connections
- Mates with Crane's PEG, MPEG, and LPEG Headers

### STANDARD PART DIMENSIONS

INSULATOR BODY		Single Row	Dual Row
<b>W</b>	WIDTH	0.335" / 8,51mm	0.335" / 8,51mm
<b>H</b>	HEIGHT	0.135" / 3,43mm	0.235" / 5,97mm
<b>S</b>	STANDOFF	0.015" / 0,38mm	0.015" / 0,38mm
PC TAIL		Single Row	Dual Row
<b>L</b>	LENGTH	0.115" / 2,92mm	0.115" / 2,92mm
WIDTH X THICKNESS		0.028" / 0,71mm x 0.009" / 0,23mm	
MATERIALS			
INSULATOR BODY		Glass Filled Polyester (UL94V-O)	
CONTACT		Phosphor Bronze	

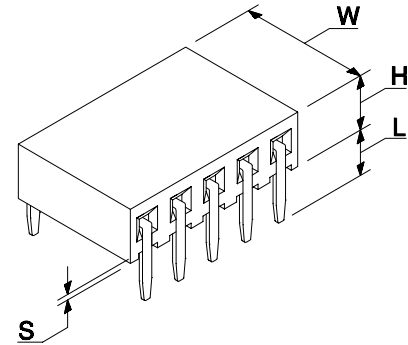
See SPECIFICATIONS and PERFORMANCE DATA for more information.



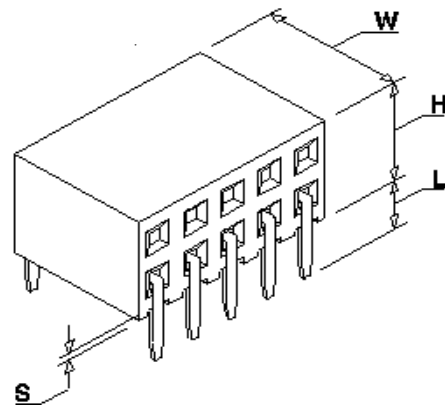
**END VIEW OF SOCKET**

**Crane's ABH Series Sockets Feature "Box Style" Contacts**

### SINGLE ROW (4 to 40 Positions)



### DUAL ROW (6 to 80 Positions)



**SAMPLE HOTLINE: 1-800-676-7644**

<b>0.100" (2,54mm) Centers To Mate With 0.025" (0,64mm)</b>	<b>HOW TO ORDER CRANE'S ABH SERIES</b>								
	<b>STANDARD PART NUMBER</b>								
					--				
<b>PRODUCT SERIES</b>	ABH								
<b>TOTAL NUMBER OF POSITIONS</b>	SINGLE	04-40							
	DUAL	06-80							
<b>NUMBER OF ROWS</b>	SINGLE	S							
	DUAL	D							
<b>TYPE OF SOCKET</b>	RIGHT ANGLE			R					
<b>CONTACT PLATING (See Plating Chart On Page Below)</b>	CHOOSE G, T or H, F								
NOTE: Some platings may be subject to minimums									
<b>TAIL PLATING</b>	SAME AS CONTACT						C		
<b>CONTACT SPACING</b>	0.100" / 2,54mm x 09.310" / 7,87mm							B	

**SAMPLE HOTLINE: 1-800-676-7644**

# CRANE CONNECTORS - PLATING SPECIFICATIONS

PLATING OPTIONS		CONTACT AREA Inches (Millimeters)	PC TAIL Inches (Millimeters)	UNDERPLATE Inches (Millimeters)
<b>G</b>	Selective	15 $\mu$ " (0,00038) Gold	100 $\mu$ " (0,00254) Tin/Lead - Min	50 $\mu$ " (0,00127) Nickel - Min.
<b>T</b>	Tin / Lead	100 $\mu$ " (0,00254) Tin / Lead	100 $\mu$ " (0,00254) Tin/Lead - Min	50 $\mu$ " (0,00127) Nickel - Min.
<b>M</b>	Selective	50 $\mu$ " (0,00127) Gold	100 $\mu$ " (0,00254) Tin/Lead - Min	50 $\mu$ " (0,00127) Nickel - Min.
<b>H</b>	Selective	30 $\mu$ " (0,00076) Gold	100 $\mu$ " (0,00254) Tin/Lead - Min	50 $\mu$ " (0,00127) Nickel - Min.
<b>L</b>	Selective	10 $\mu$ " (0,00025) Gold	100 $\mu$ " (0,00254) Tin/Lead - Min	50 $\mu$ " (0,00127) Nickel - Min.
<b>F</b>	Selective	3 $\mu$ " (0,00008) Gold	100 $\mu$ " (0,00254) Tin/Lead - Min	50 $\mu$ " (0,00127) Nickel - Min.



**SAMPLE HOTLINE: 1-800-676-7644**