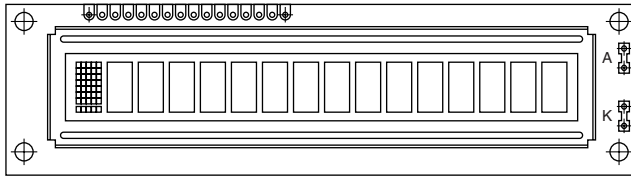


16 x 1 Character LCD



FEATURES

- Type: Character
- Display format: 16 x 1 characters
- Built-in controller: KS 0066 (or equivalent)
- Duty cycle: 1/16
- 5 x 8 dots includes cursor
- + 5 V power supply (also available for + 3 V)
- LED can be driven by pin 1, pin 2, pin 15, pin 16 or A and K
- N.V. optional for + 3 V power supply
- Compliant to RoHS directive 2002/95/EC


RoHS
COMPLIANT

MECHANICAL DATA		
ITEM	STANDARD VALUE	UNIT
Module Dimension	122.0 x 33.0	mm
Viewing Area	99.0 x 13.0	
Dot Size	0.92 x 1.10	
Dot Pitch	0.98 x 1.16	
Mounting Hole	115.0 x 25.2	
Character Size	4.84 x 8.06	

ABSOLUTE MAXIMUM RATINGS					
ITEM	SYMBOL	STANDARD VALUE			UNIT
		MIN.	TYP.	MAX.	
Power Supply	V_{DD} to V_{SS}	- 0.3	-	7.0	V
Input Voltage	V_I	- 0.3	-	V_{DD}	

Note

- $V_{SS} = 0$ V, $V_{DD} = 5.0$ V

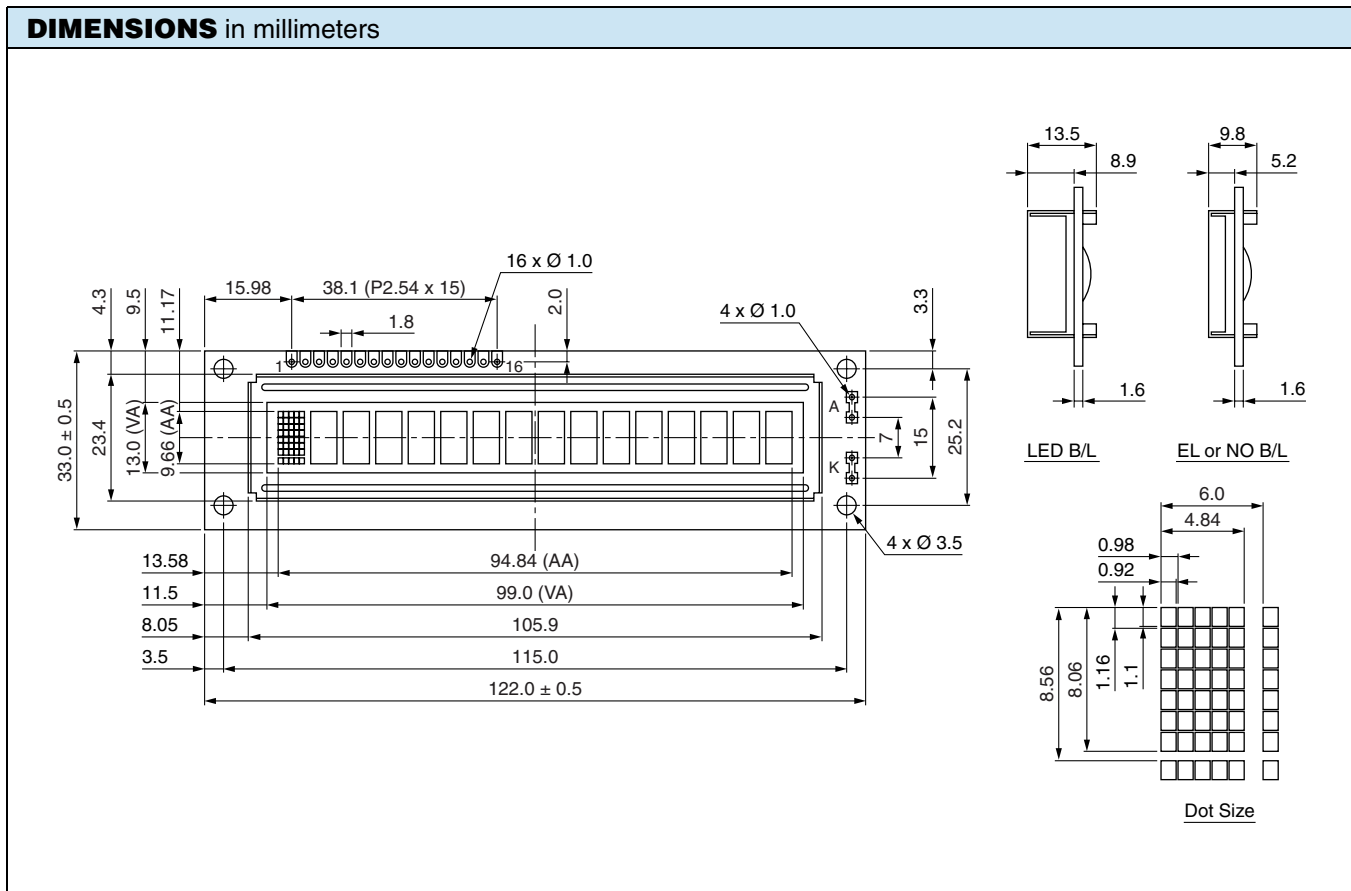
ELECTRICAL CHARACTERISTICS						
ITEM	SYMBOL	CONDITION	STANDARD VALUE			UNIT
			MIN.	TYP.	MAX.	
Input Voltage	V_{DD}	$V_{DD} = + 5$ V	4.7	5.0	5.3	V
Supply Current	I_{DD}	$V_{DD} = + 5$ V	-	1.2	1.4	mA
Recommended LC Driving Voltage for Normal Temperature Version Module	V_{DD} to V_0	- 20 °C	4.9	5.1	5.5	V
		0 °C	4.5	4.8	5.1	
		25 °C	4.1	4.5	4.7	
		50 °C	3.8	4.2	4.4	
		70 °C	3.5	3.9	4.1	
LED Forward Voltage	V_F	25 °C	-	4.2	4.6	V
LED Forward Current	I_F	25 °C	-	160	-	mA

OPTIONS									
PROCESS COLOR						BACKLIGHT			
TN	STN Gray	STN Yellow	STN Blue	FSTN B&W	STN Color	None	LED	EL	CCFL
x	x	x	x			x	x	x	

For detailed information, please see the "Product Numbering System" document.

DISPLAY CHARACTER ADDRESS CODE																
Display Position																
	1	2	3	4	5	6	7	8	9	10	11	12	13	14	15	16
DD RAM Address	00	01	02	03	04	05	06	07	40	41	42	43	44	45	46	47

INTERFACE PIN FUNCTION			
PIN NO.	SYMBOL	PIN NO.	FUNCTION
1	V _{SS}		Ground
2	V _{DD}		+ 5 V
3	V ₀		Contrast adjustment
4	RS		H/L register select signal
5	R/W		H/L read/write signal
6	E		H → L enable signal
7	DB0		H/L data bus line
8	DB1		H/L data bus line
9	DB2		H/L data bus line
10	DB3		H/L data bus line
11	DB4		H/L data bus line
12	DB5		H/L data bus line
13	DB6		H/L data bus line
14	DB7		H/L data bus line
15	A/V _{EE}		+ 4.2 V for LED (R _A = 0 Ω)/negative voltage output
16	K		Power supply for B/L (0 V)





Disclaimer

All product specifications and data are subject to change without notice.

Vishay Intertechnology, Inc., its affiliates, agents, and employees, and all persons acting on its or their behalf (collectively, "Vishay"), disclaim any and all liability for any errors, inaccuracies or incompleteness contained herein or in any other disclosure relating to any product.

Vishay disclaims any and all liability arising out of the use or application of any product described herein or of any information provided herein to the maximum extent permitted by law. The product specifications do not expand or otherwise modify Vishay's terms and conditions of purchase, including but not limited to the warranty expressed therein, which apply to these products.

No license, express or implied, by estoppel or otherwise, to any intellectual property rights is granted by this document or by any conduct of Vishay.

The products shown herein are not designed for use in medical, life-saving, or life-sustaining applications unless otherwise expressly indicated. Customers using or selling Vishay products not expressly indicated for use in such applications do so entirely at their own risk and agree to fully indemnify Vishay for any damages arising or resulting from such use or sale. Please contact authorized Vishay personnel to obtain written terms and conditions regarding products designed for such applications.

Product names and markings noted herein may be trademarks of their respective owners.