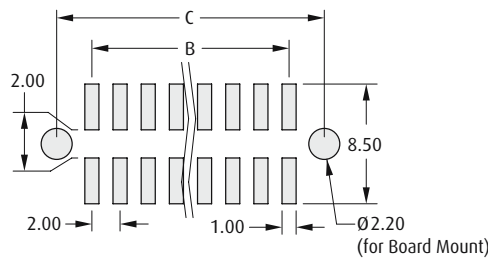
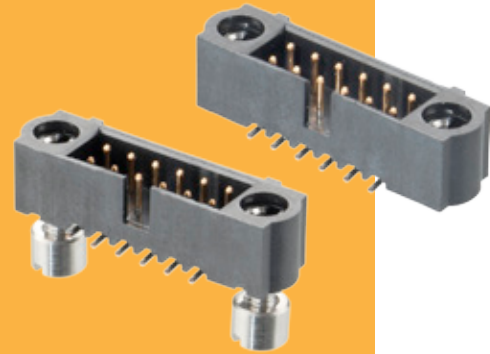


Male Vertical Surface Mount 101Lok

- ❖ Contact datamate@harwin.com for tape & reel options.
- ❖ Optional pick and place cap.
- ❖ Mates with female connectors shown on pages 39, 42, 47 and 50.
- ❖ Gull wing SMT tails simplify inspection process.
- ❖ Board Mount provides PCB strain relief.

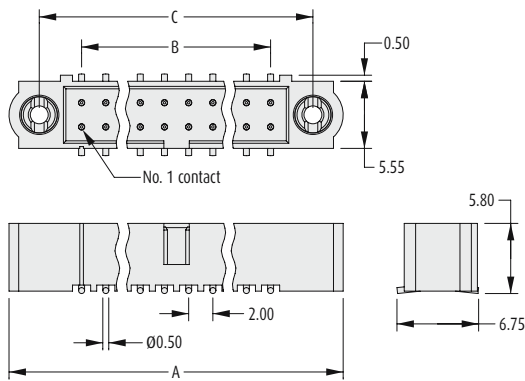


Recommended PC Board Pattern

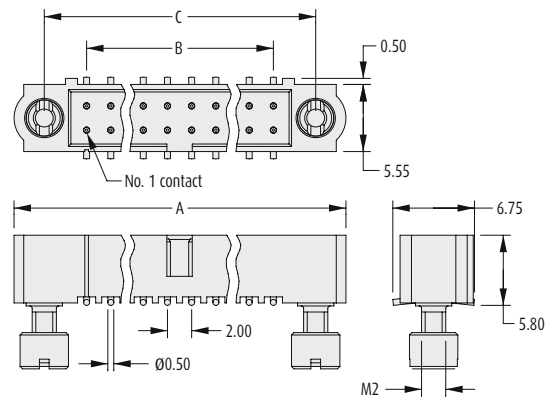
CALCULATION

A	B + 12
B	Total no. of contacts - 2
C	B + 7

101LOK



101LOK WITH BOARD MOUNT



HOW TO ORDER

M80 - 5 S1 XX XX MX

SERIES CODE

TYPE

S1 Vertical Surface Mount

TOTAL NO. OF CONTACTS

04 to 50

Even numbers only

JACKSCREW

MC	101Lok
ME	101Lok with 5mm Board Mount

FINISH

05	Gold	
22	Gold + Tin/Lead	
42	Gold + Tin	

All dimensions in mm.