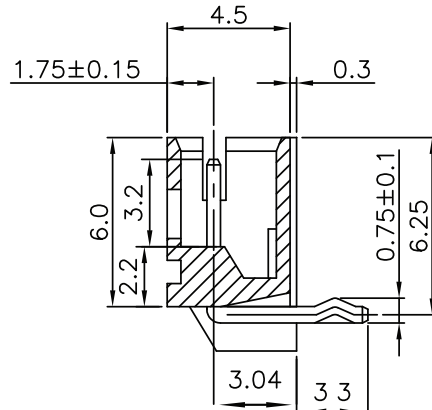
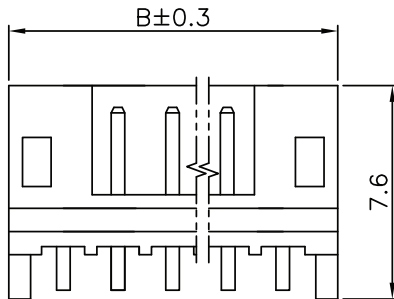


# of Contacts	Dimensions (mm)		
	A	B	C
2	2.00	6.00	5.00
3	4.00	8.00	7.00
4	6.00	10.00	9.00
5	8.00	12.00	11.00
6	10.00	14.00	13.00
7	12.00	16.00	15.00
8	14.00	18.00	17.00
9	16.00	20.00	19.00
10	18.00	22.00	21.00
11	20.00	24.00	23.00
12	22.00	26.00	25.00
13	24.00	28.00	27.00
14	26.00	30.00	29.00
15	28.00	32.00	31.00
16	30.00	34.00	33.00



**HOW TO ORDER:**

W 0 3 3 - X X 2 0 - X 0 0 - Z

**# OF POSITIONS:**  
(1 - 16)

**PACKAGING:**

2 - Tube  
3 - Tray

**RoHS  
COMPLIANT**

**HOUSING & TERMINATION TYPE:**

2 - Right Angle Header Thru Hole

**ELECTRICAL:**

CURRENT RATING: 2A AC/DC  
VOLTAGE RATING: 100V AC/DC  
CONTACT RESISTANCE: 20 mΩ max.  
WITHSTANDING VOLTAGE: 800V AC for 1 min.  
INSULATION RESISTANCE: 1000 MΩ min.  
TEMPERATURE RANGE: -25°C to 85°C

**MATERIAL:**

CONTACT: Copper Alloy, Tin Plated  
INSULATOR: Nylon 66 UL94V-0  
CAP: Nylon PA46 UL94V-0

Rev	Drawn	Checked	Approved	Date
0	B.S.	S.M.	S.M.	5/3/07

**SMP TECHNOLOGY, INC.**

SCALE:n/a Header, 2.0mm Pitch, Right Angle, Thru Hole, JST PH Type

TOL. DEC. .X +/- 0.3 .XX +/- 0.2 .XXX +/- 0.1 ANGLE +/- UNIT: mm

P/N:W033-XX20-X00-Z