



Short Form Data Selector Guide

Discrete MOSFET - Low Voltage Trench Gate (continued)

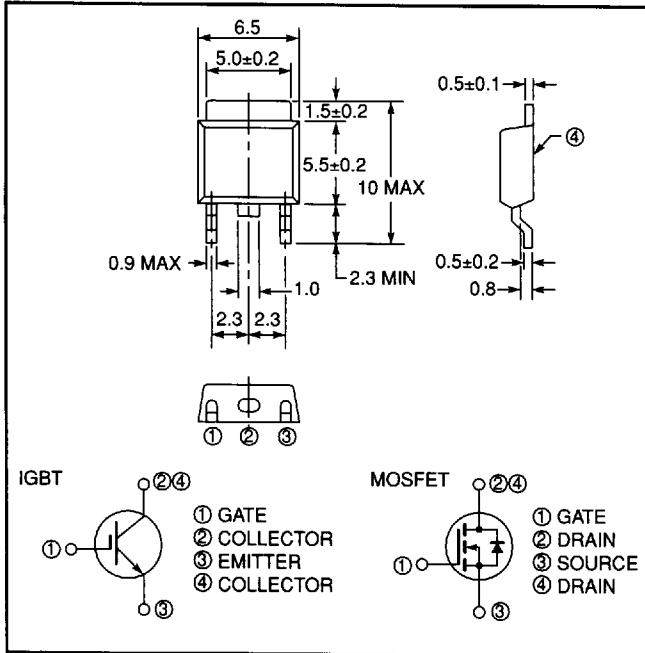
10.0V Driver Voltage p-channel MOSFETs

Device Number	Maximum Ratings, T _c = 25°C			Electrical Characteristics					
	V _{DSS} (V)	I _D (A)	V _{GSS} (V)	r _{DS(on)} (mΩ)		V _{GS(th)} (V)	C _{ISS} (pF)	Package	
				Typ.	Max.			Outline	Page
FX1AS-3	-150	-1	±20	2500	3200	-3	385	MP-3	31
FX1KM-3	-150	-1	±20	2500	3200	-3	385	TO-220FN	31
FX1UM-3	-150	-1	±20	2500	3200	-3	385	TO-220	31
FX1VS-3	-150	-1	±20	2500	3200	-3	385	TO-220S	31
FX3AS-3	-150	-3	±20	1120	1460	-3	790	MP-3	31
FX3KM-3	-150	-3	±20	1120	1460	-3	790	TO-220FN	31
FX3UM-3	-150	-3	±20	1120	1460	-3	790	TO-220	31
FX3VS-3	-150	-3	±20	1120	1460	-3	790	TO-220S	31
FX3SM-3	-150	-3	±20	1120	1460	-3	790	TO-3P	32
FX6AS-3	-150	-6	±20	500	650	-3	1930	MP-3	31
FX6KM-3	-150	-6	±20	500	650	-3	1930	TO-220FN	31
FX6UM-3	-150	-6	±20	500	650	-3	1930	TO-220	31
FX6VS-3	-150	-6	±20	500	650	-3	1930	TO-220S	31
FX6SM-3	-150	-6	±20	500	650	-3	1930	TO-3P	32
FX20KM-3	-150	-20	±20	270	350	-3	3140	TO-220FN	31
FX20UM-3	-150	-20	±20	270	350	-3	3140	TO-220	31
FX20VS-3	-150	-20	±20	270	350	-3	3140	TO-220S	31
FX20SM-3	-150	-20	±20	270	350	-3	3140	TO-3P	32
FX30KM-3	-150	-30	±20	93	121	-3	8730	TO-220FN	31
FX30UM-3	-150	-30	±20	93	121	-3	8730	TO-220	31
FX30VS-3	-150	-30	±20	93	121	-3	8730	TO-220S	31
FX30SM-3	-150	-30	±20	93	121	-3	8730	TO-3P	32

r_{DS(on)} (mΩ) - shows maximum value of on-resistance at V_{GS} = 10V

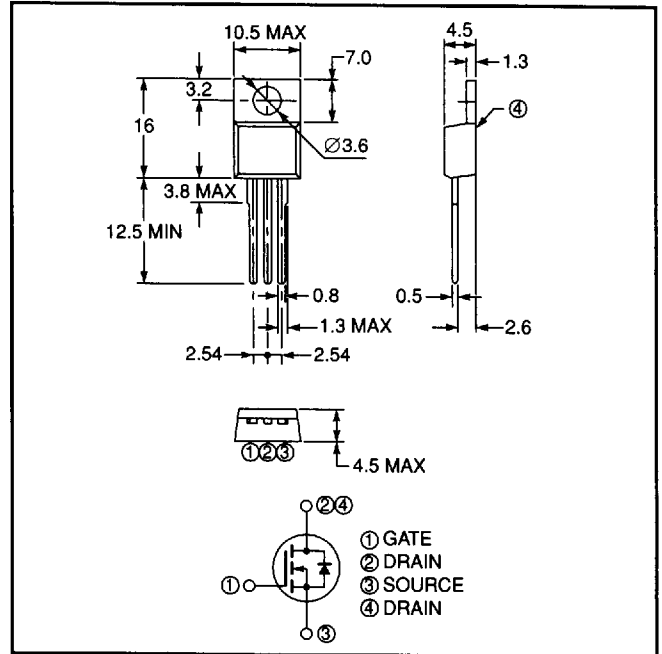
Device Outline Drawings

MP-3



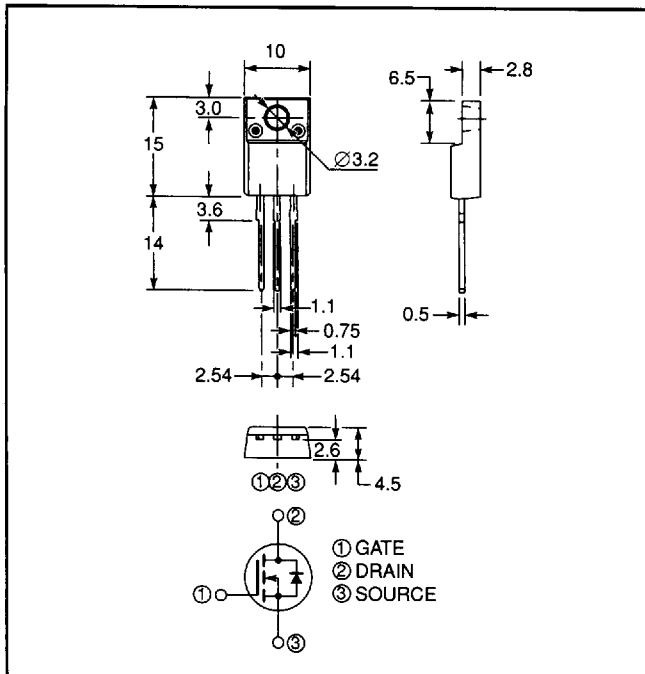
IGBT CT**AS-8
MOSFET FS**AS-8

TO-220



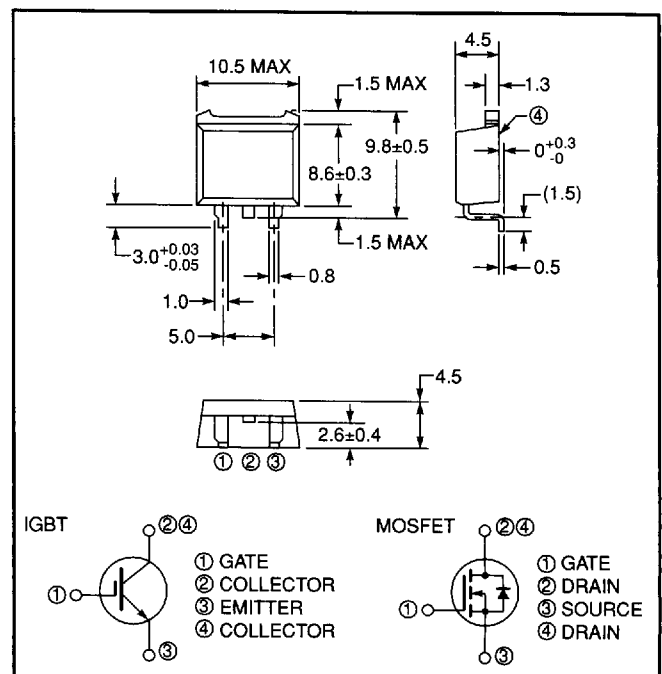
MOSFET FK**UM-**, FS**UM-**

TO-220FN



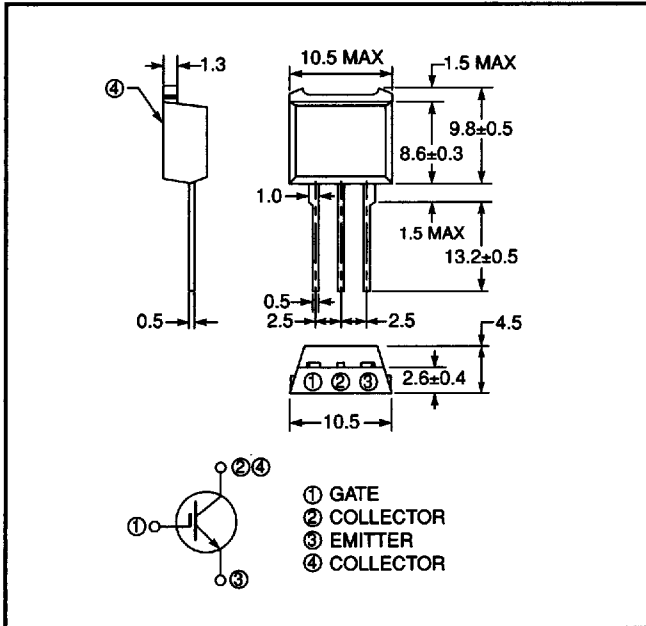
MOSFET FK**KM-**, FS**KM-**

TO-220S



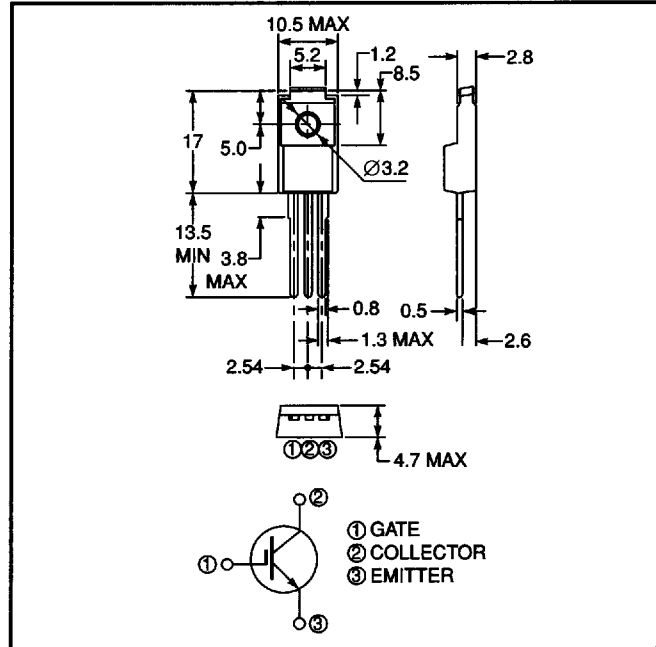
IGBT CT**VS-8
MOSFET FK**VS-**, FS**VS-**

TO-220C



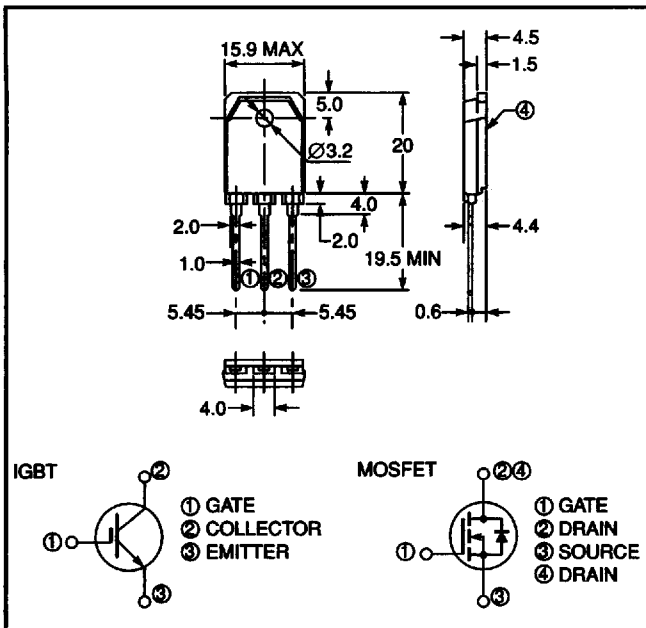
IGBT CT**VM-8

TO-220F



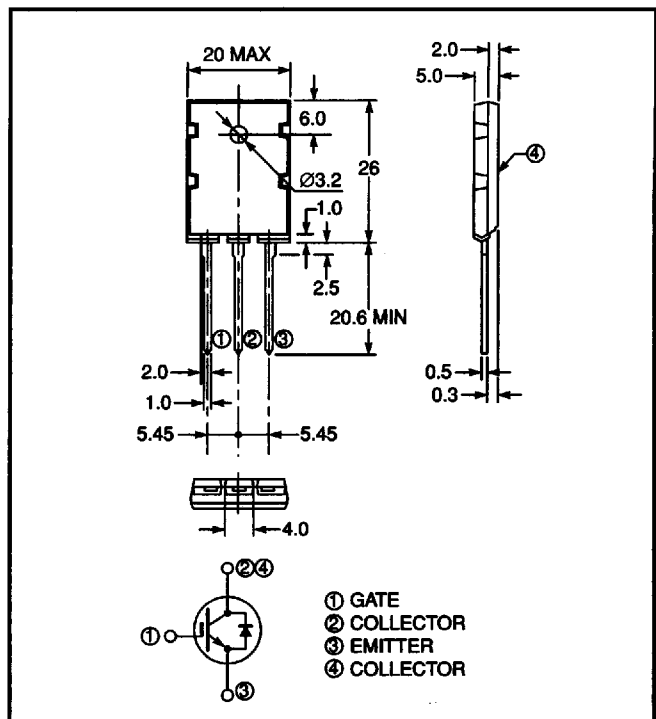
IGBT CT**TM-**

TO-3P



IGBT CT**SM-8
 MOSFET FK**SM-**, FS**SM-**

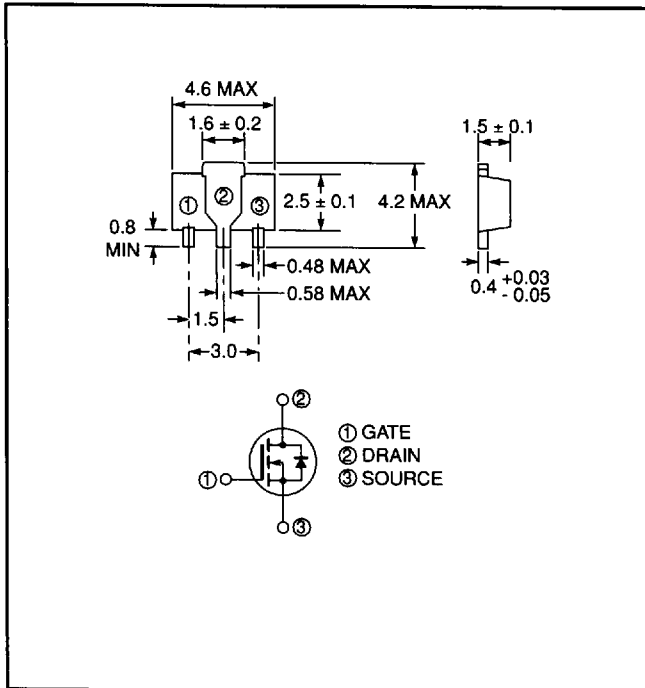
TO-3PL



IGBT CT**AM-**

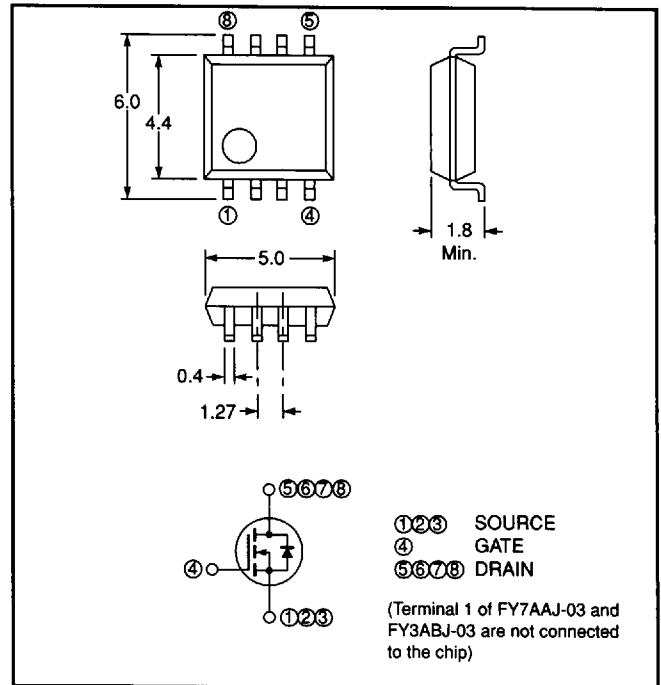
Device Outline Drawings

SOT-89



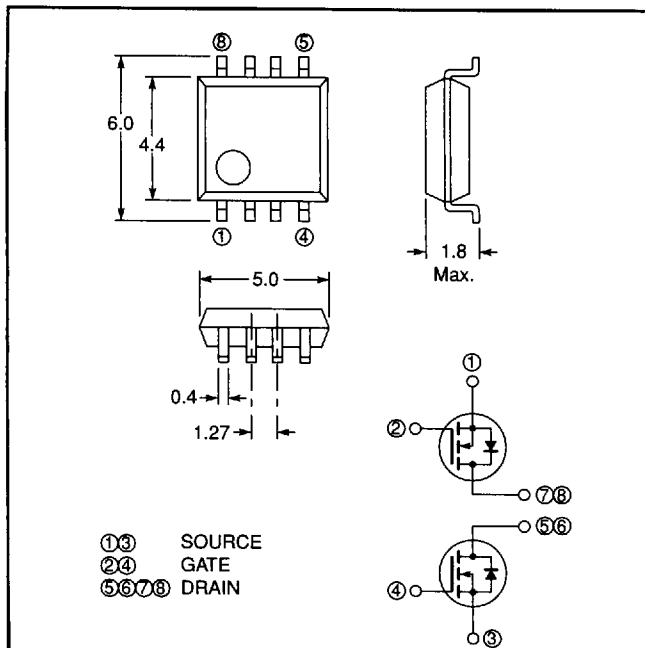
MOSFET FS**, FX**

SOP-8 (Single)



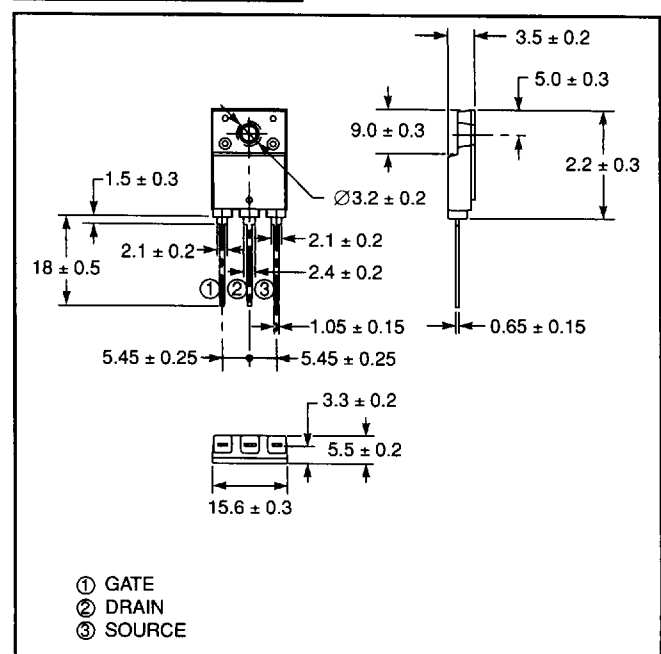
MOSFET FY**

SOP-8 (Dual)



MOSFET FY**

TO-3PF



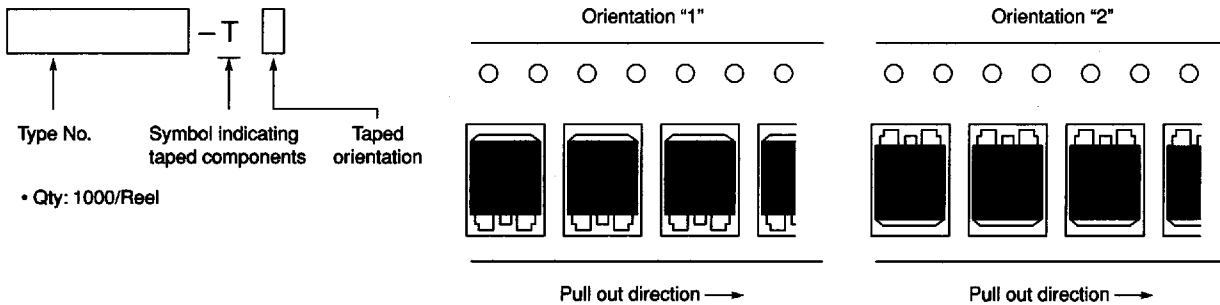
MOSFET FS**RM-**

MOSFET Packing Quantities and Types

Package	Outline Code	Packing	Minimum Quantity per Package
TO-220	UM	Bag	100
TO-220FN	KM	Tube	50
TO-220S	VS	Bag	100
TO-220S	VS	Reel	1000
TO-3P	SM	Bag	20
MP-3	AS	Bag	500
MP-3	AS	Reel	3000
SOP-8	FY	Reel	3000

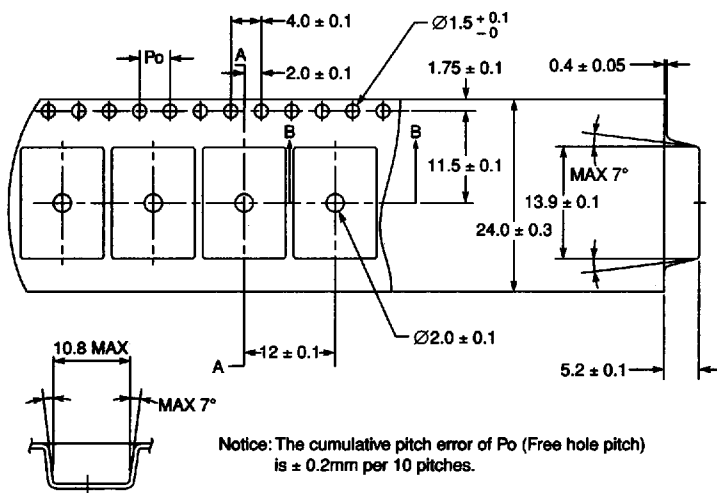
TO-220S Taping

(a) Marking

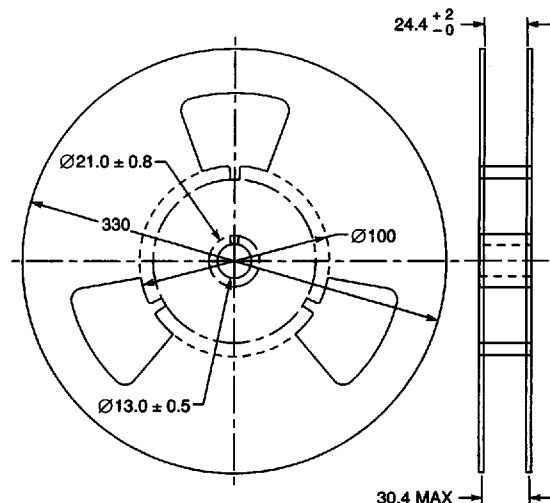


(b) Taping

• Tape Shape and Dimensions

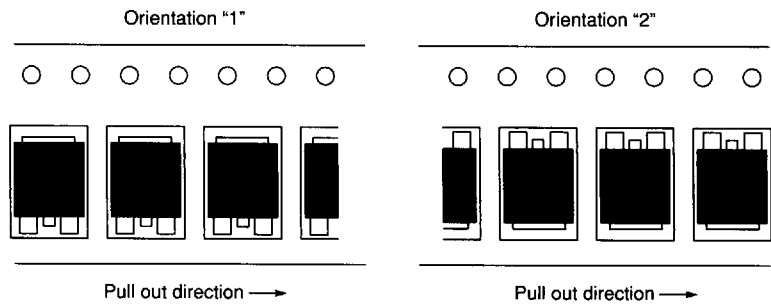
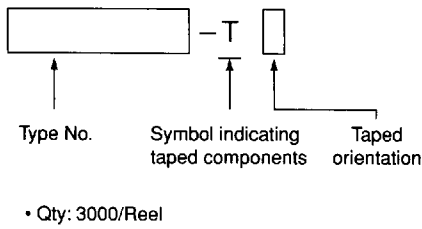


• Reel Shape and Dimensions



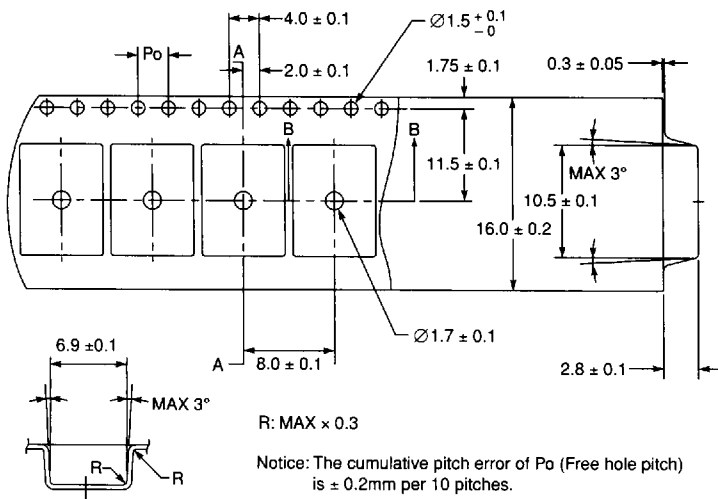
MP-3 Taping

(a) Marking

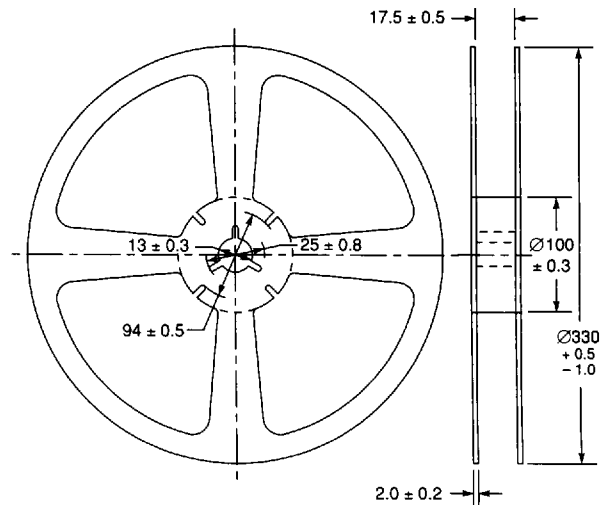


(b) Taping

• Tape Shape and Dimensions

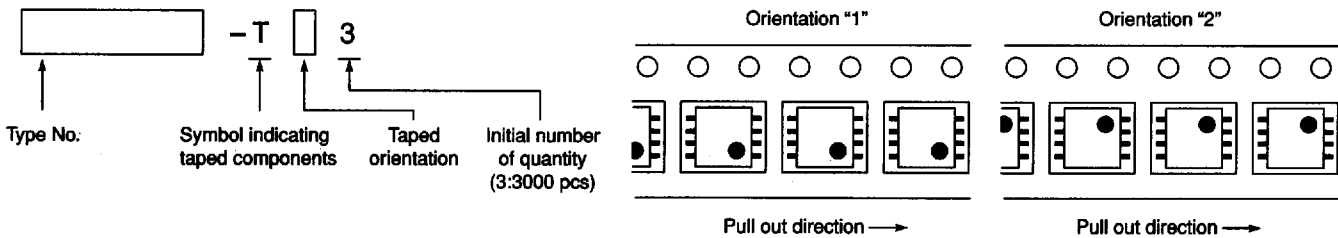


• Reel Shape and Dimensions



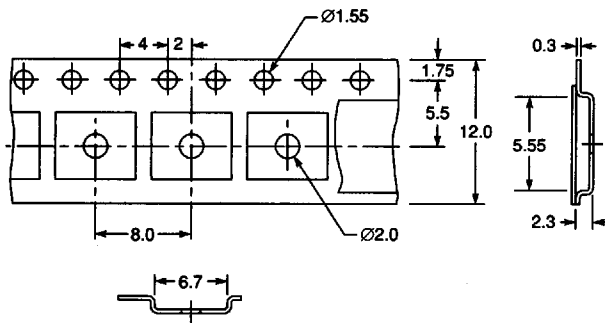
SOP-8 Taping

(a) Marking

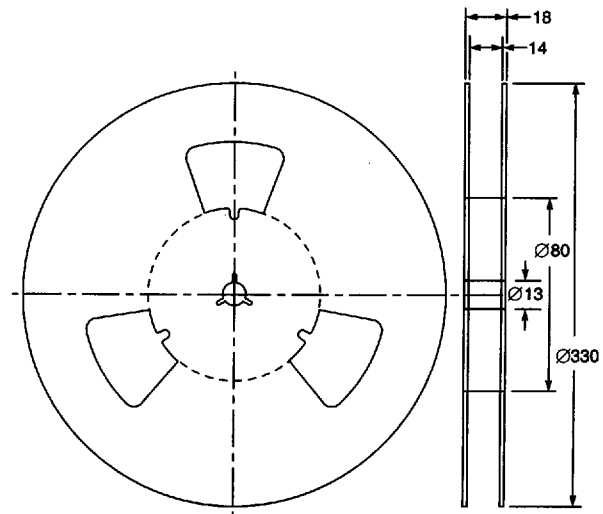


(b) Taping

- Tape Shape and Dimensions

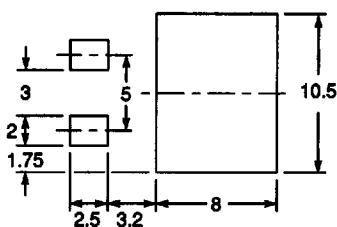


- Reel Shape and Dimensions

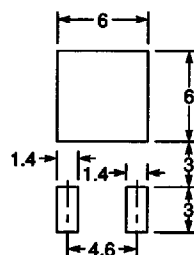


Recommended Mounting Pad

TO-220S Package



MP-3 Package



SOP-8 Package

