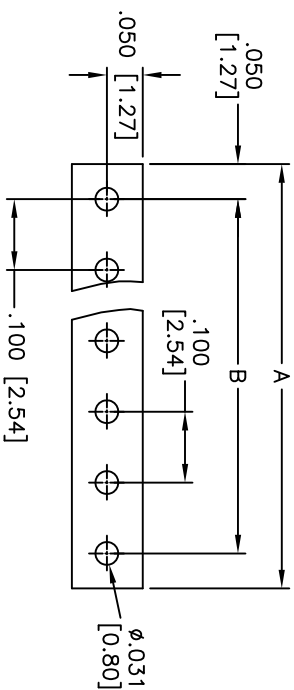
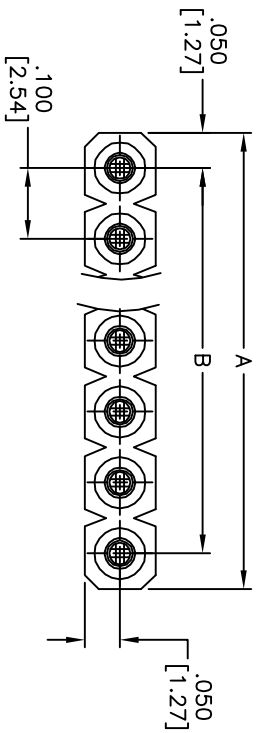
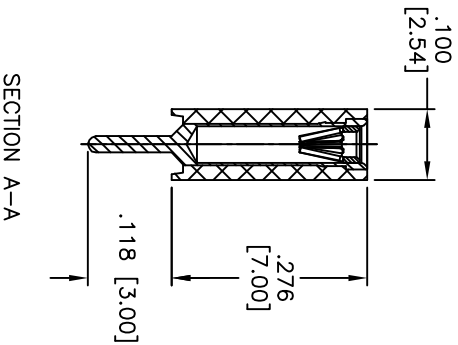
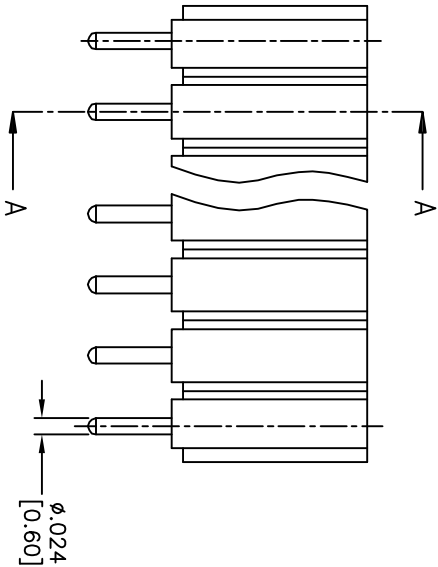


| Rev | AWO # | Description | Date | Appr |
|-----|-------|-------------|---------|------|
| - | | RELEASED | 9/14/10 | |

APPROVED: _____
 DATE: _____ TITLE: _____



RECOMMENDED PCB LAYOUT



SPECIFICATIONS:

- Material: Insulator: PBT, Glass reinforced, rated UL 94V-0
- Insulator color: Black
- Contacts: BeCu
- Sleeve: Brass
- Plating: Inner contact: Gold flash over Nickel underplate
- Outer sleeve: Tin over Copper underplate overall
- Electrical: Current rating: 3 Amp
- Contact resistance: 4 mohms max
- Temperature Rating: Operating temperature: -40°C to +105°C
- Environmental: Lead free, RoHS compliant
- Recommended soldering temp: 235°C for 5 seconds

Positions: 2 thru 40
 A = .100 [2.54] x No. of Positions
 B = .100 [2.54] x No. of Spaces

UNLESS OTHERWISE SPECIFIED
 ALL DIMENSIONS ARE INCHES [MM]
 TOLERANCES: EXCEPT AS NOTED
 INCHES Holes: .X ± .10 ØXX ± .10
 .XX ± .020 ØXX ± .015
 .XXX ± .015 ØXXX ± .010

ADAM TECH
 909 Rahway Avenue, Union, NJ 07083
 Phone: 908-687-5000 Fax: 908-687-5710

TITLE: .100 [2.54] MACHINED FEMALE HEADER,
 SINGLE ROW, STRAIGHT, GOLD/TIN PLATED

| APPROVALS | DATE |
|-----------|---------|
| DRAWN | 9/14/10 |
| CHECKED | |
| APPROVED | |

| SIZE | PART NO. | REV. |
|------|-----------------|------|
| X | SMC-1H7-XX-1-GT | - |

REF: S00007T SCALE: NTS SHEET 1 OF 1

