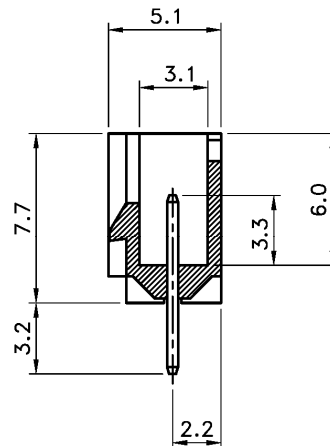
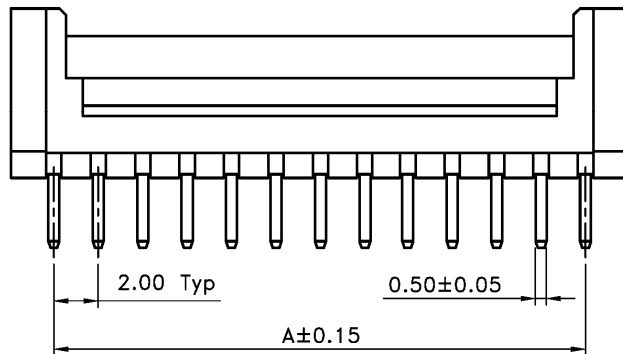
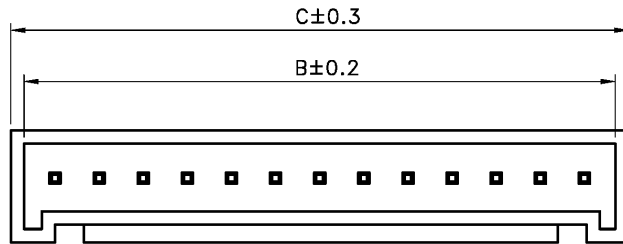


Recommended PCB Layout (Top View)



**SPECIFICATIONS**

Voltage Rating: 250V AC/DC  
 Current Rating: 3A AC/DC  
 Contact Material: Brass, Tin Plated  
 Contact Resistance: 30mΩ max  
 Insulation Material: Nylon PA66 UL94V-0  
 Insulation Resistance: 1000MΩ min  
 Withstanding: 1000V AC/minute  
 Temperature Range: -25°C to +85°C

Dimensions			
Poles	A	B	C
2	2.00	4.75	6.00
3	4.00	6.75	8.00
4	6.00	8.75	10.00
5	8.00	10.75	12.00
6	10.00	12.75	14.00
7	12.00	14.75	16.00
8	14.00	16.75	18.00
9	16.00	18.75	20.00
10	18.00	20.75	22.00
11	20.00	22.75	24.00
12	22.00	24.75	26.00
13	24.00	26.75	28.00
14	26.00	28.75	30.00
15	28.00	30.75	32.00
16	30.00	32.75	34.00

RoHS compliant

Rev.	Description	Date	Approved	Drawing	Name	Date
				Approved	Howard	11/11/08
				Checked	Lizzy	11/11/08
				Drawn	Tina	11/11/08
				0.0 ± 0.35	0.00 ± 0.20	Angles ± 3°
				UNIT: mm		

**Central Components Manufacturing**  
 440 Lincoln Blvd., Middlesex, New Jersey 08846  
 Phone 732 469-5720 888 288-5152 Fax 732 469-1919

Part No.: **JS-2004-XX**  
 Description: 2.00 Crimp Style Connector Wafer