

Datamate J-Tek Connectors

Female Vertical Throughboard Reverse Fix

- ❖ Fully shrouded contacts.
- ❖ Polarized housings.
- ❖ Includes board mount fixing.
- ❖ Mates with male Datamate J-Tek connectors with compatible Reverse Fix jackscrews.

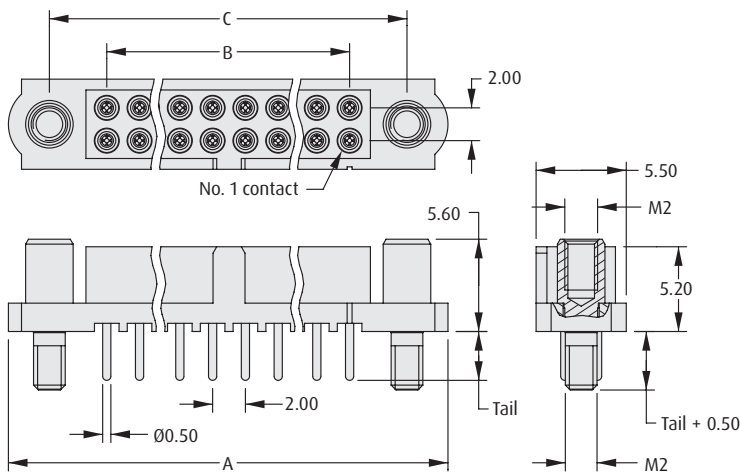


DATAMATE J-TEK

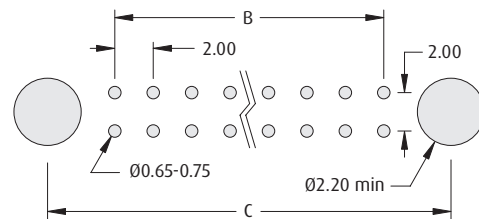
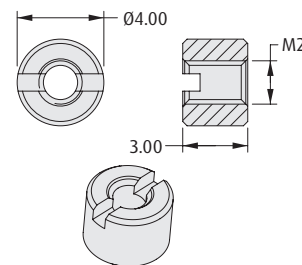
REVERSE FIX

CALCULATION

A	$B + 12$
B	Total no. of contacts - 2
C	$B + 7$



Board Mount Nut, 2 per connector



Recommended PC Board Pattern

HOW TO ORDER

M80 - 40 X XX XX

SERIES CODE

TYPE

5	3mm Tails
6	4.5mm Tails

FINISH

05	Gold
42	Gold + Tin

TOTAL NO. OF CONTACTS

04, 06, 08, 10, 12, 14, 20, 26, 34, 42, 50

All dimensions in mm.