

# IN93LC46N, IN93LC46D, IN93AA46N, IN93AA46D

## 1K-BIT SERIAL EEPROM WITH MICROWIRE INTEFACE

(compatible to CAT93C46 Catalyst)

### DESCRIPTION

The IN93LC46 is a Electric erasable programmable ROM (EEPROM) memory data capacity 1K (128x8 or 64x16) with 3-wire interface.

There are 3 modification of ICs

A: ICs IN93AA(LC)46AD/AN are 8 bits registers (128x8) - ORG pin is not used

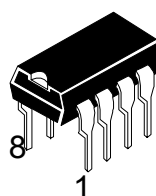
B: ICs IN93AA(LC)46BD/BN are 16 bits registers (64x16) - ORG pin is not used

C: ICs IN93AA(LC)46CN/CD are configured as either registers of 8 bits (ORG pin at GND) or 16 bits (ORG pin at V<sub>CC</sub>, or not connected). Each register can be written (or read) serially by using the DI (or DO) pin.

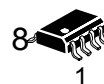
The ICs is purposed for reading, writing & nonvolatile data storage in electronic units with 3-wire interface. ICs can be used in TV-sets, telecom equipment & consumer electronic devices.

### FEATURES

- 100 year 1K data retention for Ta=25°C;
- Built-in voltage multiplier;
- Serial I/O bus;
- Autoincrement of word address;
- Self-timed write cycle with auto-clear;
- 1,000,000 program/erase cycles;
- Power-up internal logic setup;
- Read cycles quantity are not limited;
- Supply voltage range , U<sub>CC</sub>  
for IN93LC46N/D 2,5 ...5,5 V;  
for IN93AA46N/D 1,8 ...5,5 V;
- Low power consumption;
- Operating temperature range -40 ... +85 °C.



N SUFFIX  
DIP



D SUFFIX  
SOIC

### PIN FUNCTIONS

Pin Name	Function				
CS	Chip Select	CS	01	08	V <sub>CC</sub>
SK	Clock Input	SK	02	07	NC
DI	Serial Data Input	DI	03	06	ORG*(NC)
DO	Serial Data Output	DO	04	05	GND
V <sub>CC</sub>	+1.8 to 6.0V Power Supply				
GND	Ground				
ORG*	Memory Organization pin *				
NC	No Connection				

Note

\* this pin is present only in IN93AA46CN, IN93AA46CD:

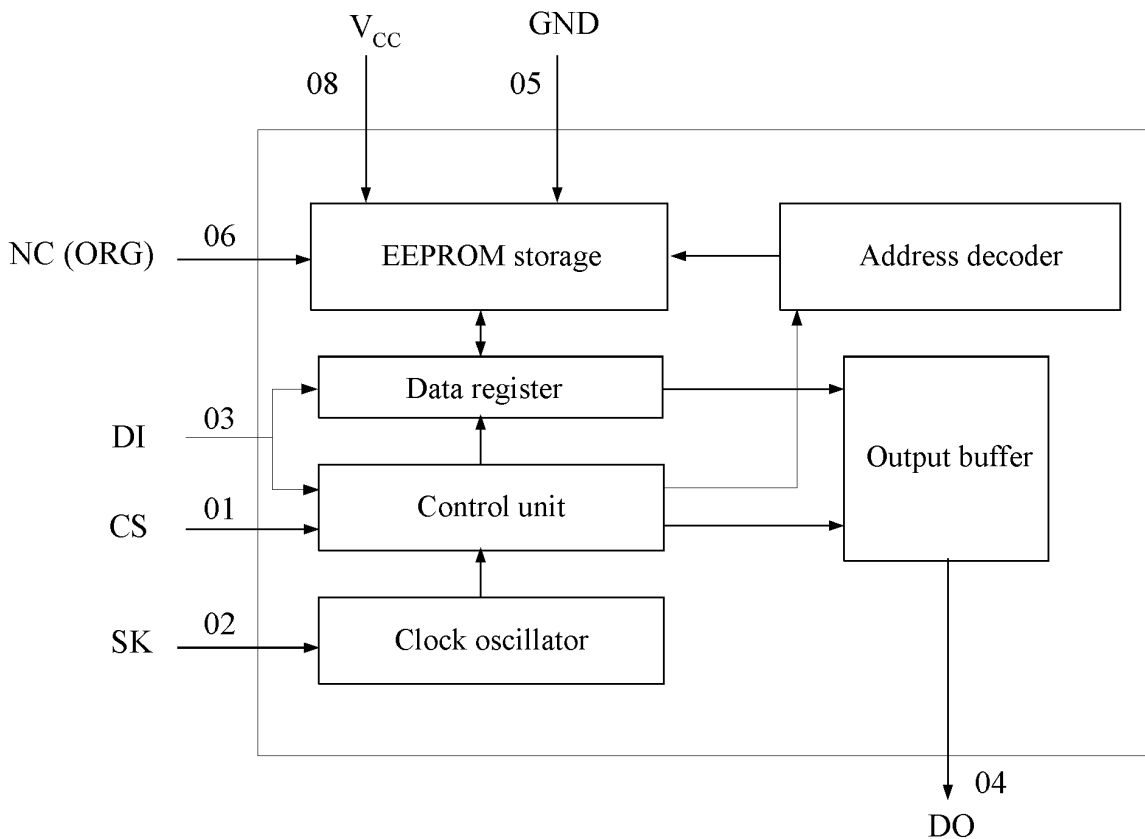
When the ORG pin is connected to V<sub>CC</sub>, the x16 organization is selected.

When it is connected to ground, the x8 pin is selected.

If the ORG pin is left unconnected, then an internal pullup device will select the x16 organization.

# IN93LC46N, IN93LC46D, IN93AA46N, IN93AA46D

## Block Diagram



## Recommended Operation Conditions & Maximum Ratings\*

Parameter, unit		Symbol	Recommended Operation Conditions		Maximum Ratings	
			Min	Max	Min	Max
Supply voltage, V	IN93LC46AN, IN93LC46AD, IN93LC46BN, IN93LC46BD, IN93LC46CN, IN93LC46CD	$U_{CC}$	2,5	6,0	- 2,0	7,0
	IN93AA46AN, IN93AA46AD, IN93AA46BN, IN93AA46BD, IN93AA46CN, IN93AA46CD		1,8	6,0		
High level input voltage, V	$4,5 \text{ V} \leq U_{CC} \leq 5,5 \text{ V}$	$U_{IH}^{1)}$	2,0	$U_{CC} + 0,5$	-	$U_{CC} + 2,0$
	$1,8 \text{ V} \leq U_{CC} < 4,5 \text{ V}$		$0,7U_{CC}$	$U_{CC} + 0,5$		
Low level input voltage, V	$4,5 \text{ V} \leq U_{CC} \leq 5,5 \text{ V}$	$U_{IL}^{2)}$	-0,1	0,8	- 2,0	-
	$1,8 \text{ V} \leq U_{CC} < 4,5 \text{ V}$		0	$0,2U_{CC}$		
Low level output current mA		$I_{OL}$	-	2,1	-	-
Output short-circuit current, mA		$I_{OS}^{3)}$	-	-	-	100

<sup>1)</sup> The maximum constant voltage is  $U_{CC}+0,5B$ . While operation pulses up to  $U_{CC}+2V$  can be applied to inputs, pulse duration have to be less than 20 nanoseconds. The maximal constant input voltage is  $U_{CC}+0,5B$ . While operation positive pulses up to  $U_{CC} +2V$  can be applied to inputs, pulse duration have to be less than 20 nanoseconds.

<sup>2)</sup> The minimal constant voltage is  $-0,5B$ . While operation negative pulses up to  $-2V$  can be applied to inputs, pulse duration have to be less than 20 nanoseconds. The maximal constant input voltage is  $U_{CC}+0,5B$ . While operation positive pulses up to  $U_{CC} +2V$  can be applied to inputs, pulse duration have to be less than 20 nanoseconds.

<sup>3)</sup> Time no more than 1 sec

# IN93LC46N, IN93LC46D, IN93AA46N, IN93AA46D

## Electric Parameters

(IN93AA46N/D  $U_{CC} = 1,8\text{ V} - 6,0\text{ V}$ ;

IN93LC46N/D  $U_{CC} = 2,5\text{ V} - 6,0\text{ V}$ )

Parameter, unit	Symbol	Mode	Min	Max	$T_A, ^\circ\text{C}$
Low level output voltage, V	$U_{OL1}$	$4,5\text{ V} \leq U_{CC} \leq 5,5\text{ V}$ $I_{OL} = 2,1\text{ mA}$	–	0,4	$25 \pm 10$ ; $-45; 85$
High level output voltage, V	$U_{OH1}$	$4,5\text{ V} \leq U_{CC} \leq 5,5\text{ V}$ $I_{OH} = -400\text{ uA}$	2,4	–	
Low level output voltage, V	$U_{OL2}$	$1,8\text{ V} \leq U_{CC} < 4,5\text{ V}$ $I_{OL} = 1\text{ mA}$	–	0,2	
High level output voltage, V	$U_{OH2}$	$1,8\text{ V} \leq U_{CC} < 4,5\text{ V}$ $I_{OH} = -100\text{ uA}$	$U_{CC}-0,2$	–	
Low level input leakage current, uA	$I_{ILL}$	$U_I = 0\text{ V}$ $1,8\text{ V} \leq U_{CC} \leq 6,0\text{ V}$	–	-1,0	
High level input leakage current, uA	$I_{ILH}$	$U_I = U_{CC}$ $1,8\text{ V} \leq U_{CC} \leq 6,0\text{ V}$	–	1,0	
Low level output leakage current, uA	$I_{OLL}$	$U_O = 0\text{ V}$ $U_{IL} = 0\text{ V}$ $1,8\text{ V} \leq U_{CC} \leq 6,0\text{ V}$	–	-1,0	
High level output leakage current, uA	$I_{OLH}$	$U_O = U_{CC}$ $U_{IL} = 0\text{ V}$ $1,8\text{ V} \leq U_{CC} \leq 6,0\text{ V}$	–	1,0	
Consumption current (8-bit mode), uA	$I_{CC1}$	$U_{CC} = 5,5\text{ V}$ $U_{IL} = 0\text{ V}$ $U_{ORG} = 0\text{ V}$ or ORG not connected	–	10	
Consumption current (16-bit mode), nA	$I_{CC2}$	$U_{CC} = 5,5\text{ V}$ $U_{IL} = 0\text{ V}$ $U_{IH} = U_{CC}$ $U_{ORG} = U_{CC}$	–	900	
Consumption current (Operating Read), uA	$I_{OCC R}$	$U_{CC} = 5,0\text{ V}$ $f_C = 1\text{ MHz}$	–	500	
Consumption current (Operating Write/Erase), uA	$I_{OCC E/W}$	$U_{CC} = 5,0\text{ V}$ $f_C = 1\text{ MHz}$	–	3,0	
Output Delay to Low, ns	$t_{PD0}$	$U_{CC} = 4,5\text{ V}$ $f_C = 1\text{ MHz}$	–	250	
		$U_{CC} = 2,5\text{ V}$ $f_C = 0,5\text{ MHz}$	–	500	
		$U_{CC} = 1,8\text{ V}$ $f_C = 0,25\text{ MHz}$	–	1000	
Output Delay to High, ns	$t_{PD1}$	$U_{CC} = 4,5\text{ V}$ $f_C = 1\text{ MHz}$	–	250	
		$U_{CC} = 2,5\text{ V}$ $f_C = 0,5\text{ MHz}$	–	500	
		$U_{CC} = 1,8\text{ V}$ $f_C = 0,25\text{ MHz}$	–	1000	

# IN93LC46N, IN93LC46D, IN93AA46N, IN93AA46D

Parameter, unit	Symbol	Mode	Min	Max	T <sub>A</sub> , °C
Output Delay to High-Z, ns	t <sub>HZ</sub>	U <sub>CC</sub> = 4,5 V f <sub>C</sub> = 1 MHz	–	100	25 ± 10; -40; 85
		U <sub>CC</sub> = 2,5 V f <sub>C</sub> = 0,5 MHz	–	200	
		U <sub>CC</sub> = 1,8 V f <sub>C</sub> = 0,25 MHz	–	400	
Write/Erase cycle, ms	t <sub>CY</sub>	U <sub>CC</sub> = 4,5 V f <sub>C</sub> = 1 MHz	–	10	
		U <sub>CC</sub> = 2,5 V f <sub>C</sub> = 0,5 MHz	–	10	
		U <sub>CC</sub> = 1,8 V f <sub>C</sub> = 0,25 MHz	–	10	
Output Delay to Status Check, ns	t <sub>SV</sub>	U <sub>CC</sub> = 4,5 V f <sub>C</sub> = 1 MHz	–	250	
		U <sub>CC</sub> = 2,5 V f <sub>C</sub> = 0,5 MHz	–	500	
		U <sub>CC</sub> = 1,8 V f <sub>C</sub> = 0,25 MHz	–	1000	
Power-up to Read Operation Time, ms	t <sub>PUR</sub>	U <sub>CC</sub> = 4,5 V f <sub>C</sub> = 1 MHz	–	1,0	
		U <sub>CC</sub> = 2,5 V f <sub>C</sub> = 0,5 MHz	–	1,0	
		U <sub>CC</sub> = 1,8 V f <sub>C</sub> = 0,25 MHz	–	1,0	
Power-up to Write Operation Time, ms	t <sub>PUW</sub>	U <sub>CC</sub> = 4,5 V f <sub>C</sub> = 1 MHz	–	1,0	
		U <sub>CC</sub> = 2,5 V f <sub>C</sub> = 0,5 MHz	–	1,0	
		U <sub>CC</sub> = 1,8 V f <sub>C</sub> = 0,25 MHz	–	1,0	
Program/erase cycles	N <sub>E/W</sub>	U <sub>CC</sub> = 5,0 V	1000000	–	25 ± 10
Note t <sub>PUR</sub> & t <sub>PUW</sub> times are delays from of power up to operation started					

# IN93LC46N, IN93LC46D, IN93AA46N, IN93AA46D

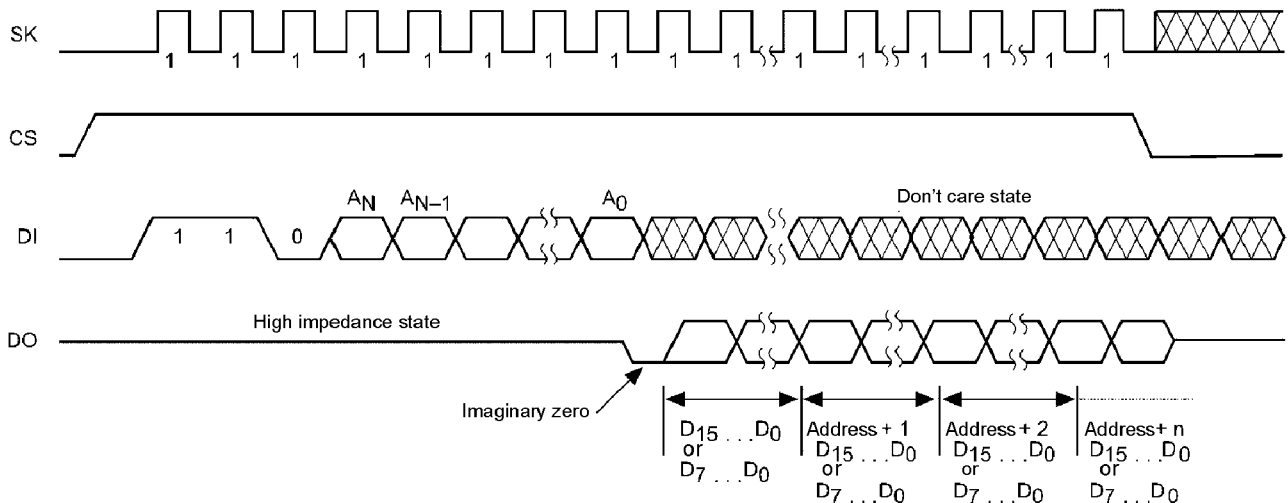
## 3-wire Interface Parameters ( $-40\text{ °C} \leq T_A \leq 85\text{ °C}$ )

Parameter, unit	Symbol	Mode	$1,8V \leq U_{CC} \leq 6,0V$		$2,5V \leq U_{CC} \leq 6,0V$		$4,5V \leq U_{CC} \leq 6,0V$	
			Min	Max	Min	Max	Min	Max
Clock frequency, MHz	$f_C$	$C_L = 100\text{ pF}$	-	0,25	-	0,5	-	2
CS Setup Time, ns	$t_{CSS}$		200	-	100	-	50	-
CS Hold Time, ns	$t_{CSH}$		0	-	0	-	0	-
DI Setup Time, ns	$t_{DIS}$		400	-	200	-	100	-
DI Hold Time, ns	$t_{DIH}$		400	-	200	-	100	-
Minimum CS Low Time, ns	$t_{CS\text{ MIN}}$		1000	-	500	-	250	-
Minimum SK High Time, ns	$t_{SKHI}$		1000	-	500	-	250	-
Minimum SK Low Time, ns	$t_{SKLOW}$		1000	-	500	-	250	-

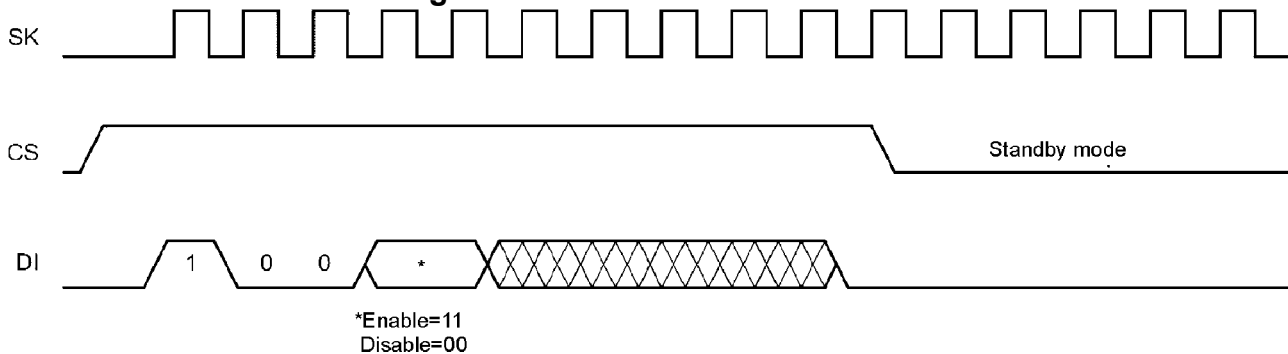
# IN93LC46N, IN93LC46D, IN93AA46N, IN93AA46D

## Instruction Set

Instruction	Start Bit	Op-code	Address		Data		Comments
			x8	x16	x8	x16	
READ	1	10	A6-A0	A5-A0			Read Address AN- AO
ERASE	1	11	A6-A0	A5-A0			Clear Address AN- AO
WRITE	1	01	A6-A0	A5-A0	D7-D0	D15-D0	Write Address AN- AO
EWEN	1	00	11XXXXX	11XXXX			Write Enable
EWDS	1	00	00XXXXX	00XXXX			Write Disable
ERAL	1	00	10XXXXX	10XXXX			Clear All Addresses
WRAL	1	00	01XXXXX	01XXXX	D7-D0	D15-D0	Write All Addresses

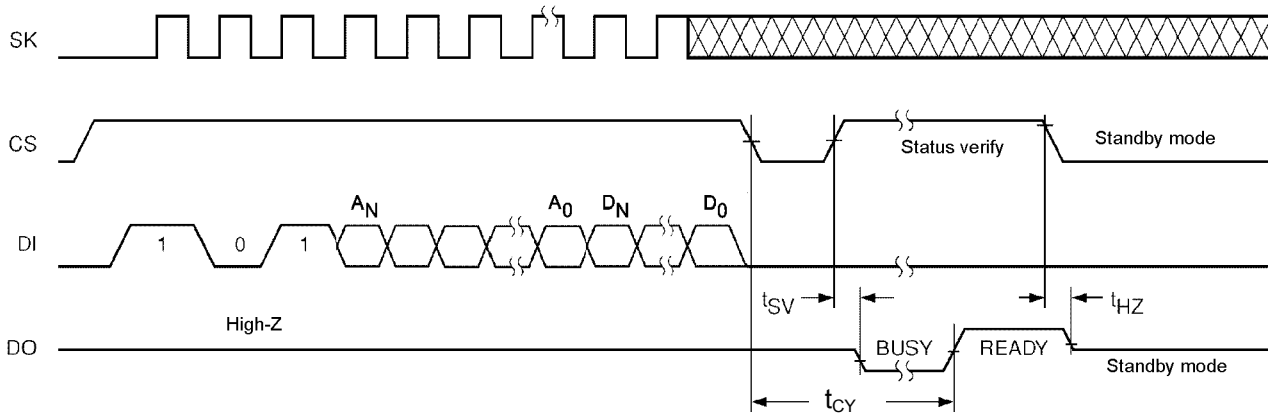


### Read Instruction Timing



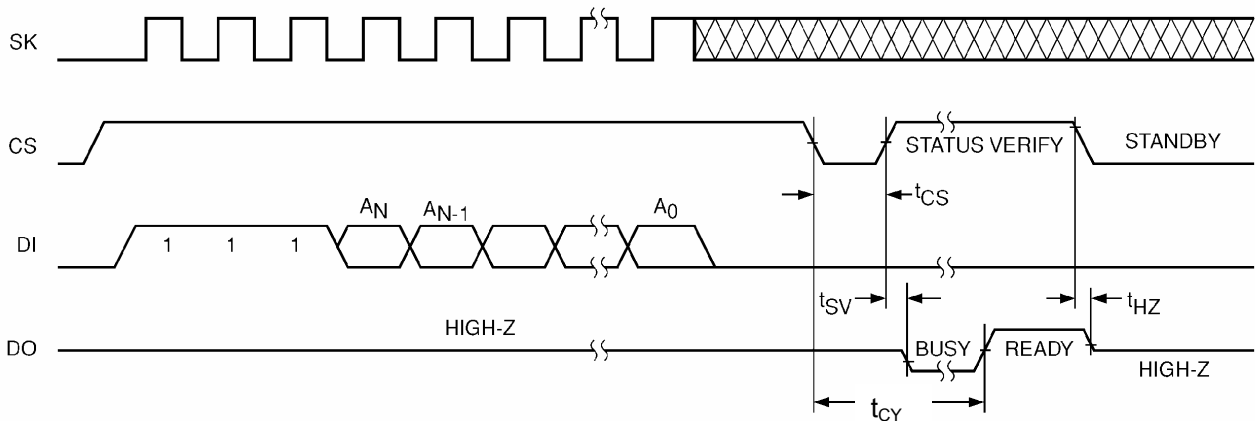
### EWEN/EWDS Instruction Timing

The IN93AA46/IN93LC46 powers up switch IC to the write disable state. Any writing after power-up or after an EWDS (write disable) instruction must first be preceded by the EWEN (write enable) instruction.



## ERAL Instruction Timing

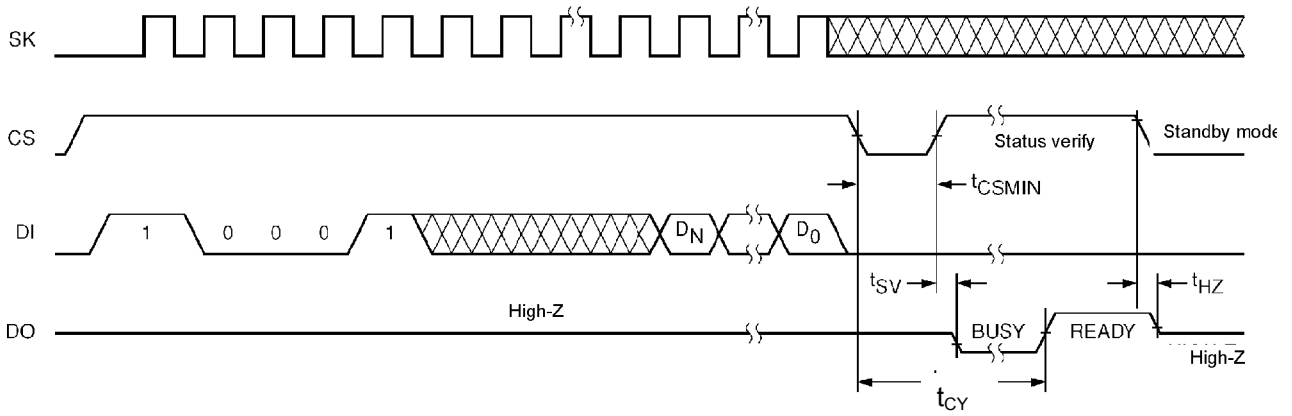
The IN93AA46/IN93LC46 ignore all external signals applied to SK and DI pins during cycle of active programming. Erase/write cycle duration (t<sub>CV</sub>) can be measured (controlled) by scanning of IC output. Low level (logical "0") means that programming still in progress, high level (logical "1") means that programming is already completed. Transition of output to High-Z state after programming cycle was completed is executed by applying low level (logic "0") to CS pin or applying high level (logical "1") to DI pin (for case CS = 1).



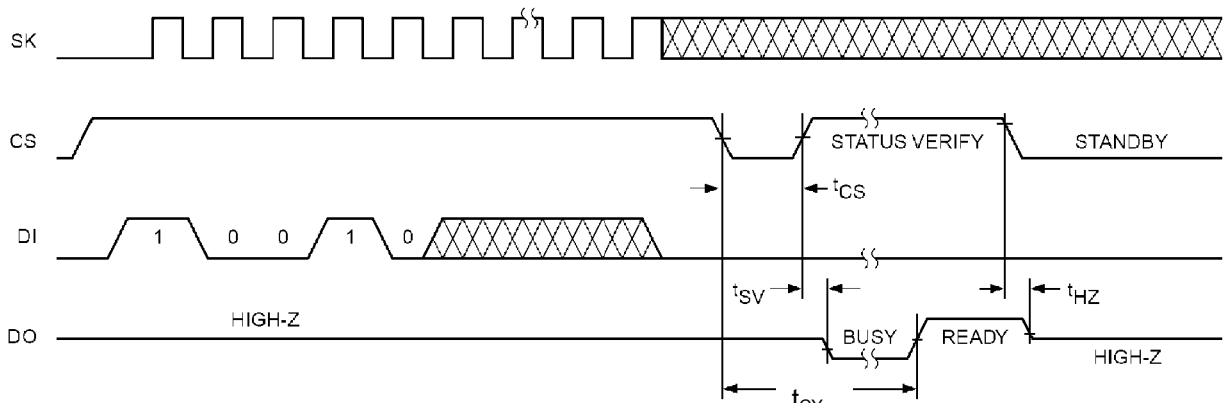
## ERASE Instruction Timing

Once cleared, the content of a cleared location returns to a logical "1" state.

t<sub>CV</sub>

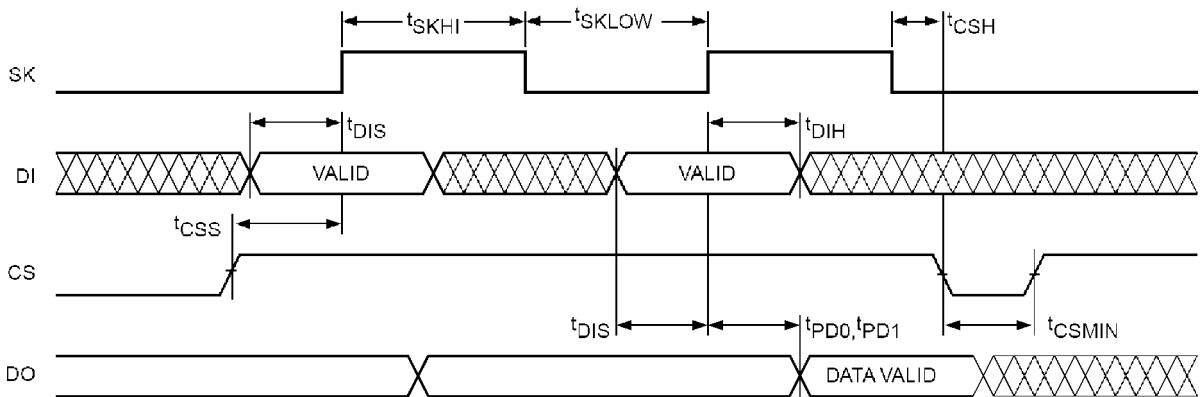


## WRAL Instruction Timing



Once cleared, the contents of all memory bits return to a logical "1" state.

## ERAL Instruction Timing

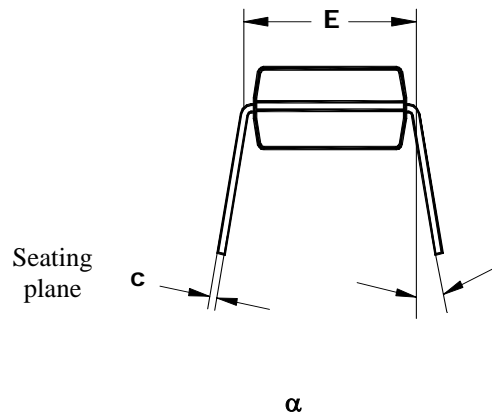
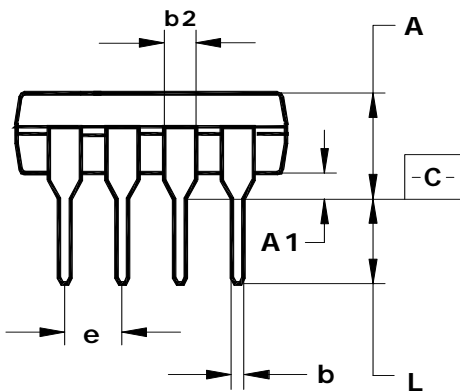
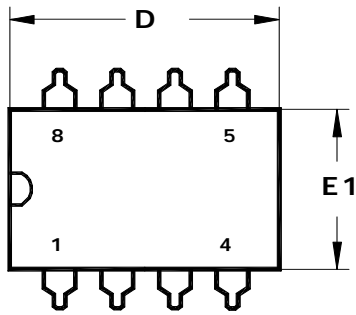


## Synchronous Data Timing



# IN93LC46N, IN93LC46D, IN93AA46N, IN93AA46D

N SUFFIX PLASTIC DIP  
(MS-001BA)

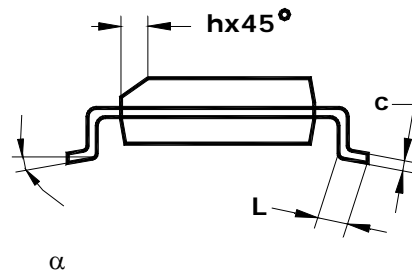
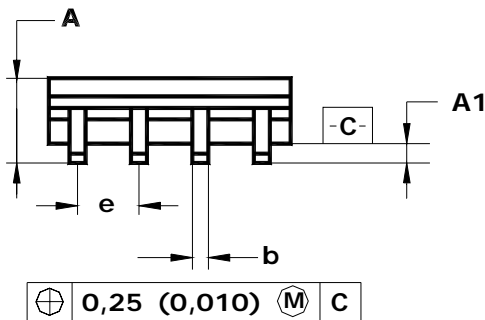
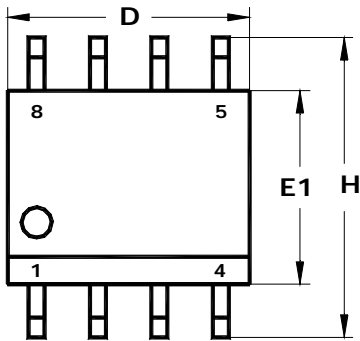


$\oplus$  0,25 (0,010)  $\odot$  M C

	D	E1	A	b	b2	e	$\alpha$	L	E	c	A1
mm											
min	9.02	6.07	—	0.36	1.14		0°	2.93	7.62	0.20	0.38
max	10.16	7.11	5.33	0.56	1.78	2.54	15°	3.81	8.26	0.36	—
inches											
min	0.355	0.240	—	0.014	0.045		0°	0.115	0.300	0.008	0.015
max	0.400	0.280	0.210	0.022	0.070	0.1	15°	0.150	0.325	0.014	—

# IN93LC46N, IN93LC46D, IN93AA46N, IN93AA46D

D SUFFIX PLASTIC SOP  
(MS-012AA)



Seating  
plane

	D	E1	H	b	e	$\alpha$	A	A1	c	L	h
mm											
min	4.80	3.80	5.80	0.33		0°	1.35	0.10	0.19	0.41	0.25
max	5.00	4.00	6.20	0.51	1.27	8°	1.75	0.25	0.25	1.27	0.50
inches											
min	0.1890	0.1497	0.2284	0.013		0°	0.0532	0.0040	0.0075	0.016	0.0099
max	0.1968	0.1574	0.2440	0.020	0.100	8°	0.0688	0.0090	0.0098	0.050	0.0196