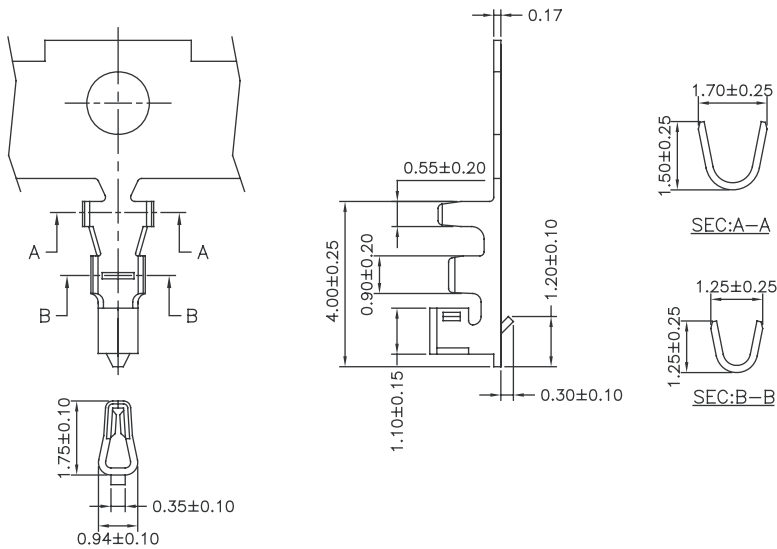




1.25mm TERMINAL / HOUSING



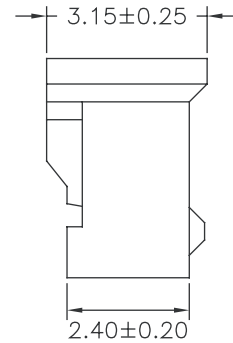
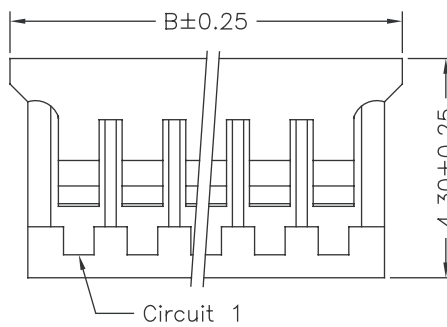
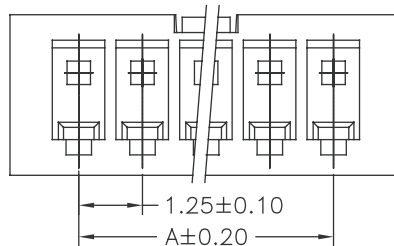
Part No.:1251-T-L

Wire Range	Insulation O.D.	Material	Finish	Qty/reel
AWG#28-#32	1.00mm(max)	Phosphor Bronze	Tin-plated	10,000pcs

SPECIFICATIONS

Current Rating: 1A AC,DC
Voltage Rating: 100V AC,DC
Temperature Range: -25°C ~ +85°C
Contact Resistance: 20mΩ Max.
Insulation Resistance: 100MΩ Min.
Withstanding Voltage: 500V AC/minute
Material: Nylon 66,UL94V-0
Pantone Color: 472C

PART NO.	Dimensions	
	A	B
1251H-02R-L	1.25	3.95
1251H-03R-L	2.50	5.20
1251H-04R-L	3.75	6.45
1251H-05R-L	5.00	7.70
1251H-06R-L	6.25	8.95
1251H-07R-L	7.50	10.20
1251H-08R-L	8.75	11.45
1251H-09R-L	10.00	12.70
1251H-10R-L	11.25	13.95
1251H-11R-L	12.50	15.20
1251H-12R-L	13.75	16.45
1251H-13R-L	15.00	17.70
1251H-14R-L	16.25	18.95
1251H-15R-L	17.50	20.20



Part No.:1251H-XXR-L