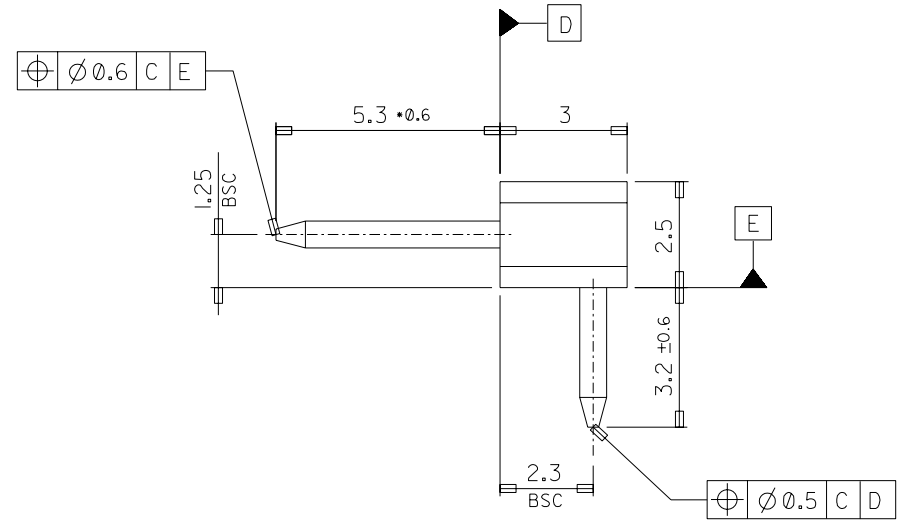
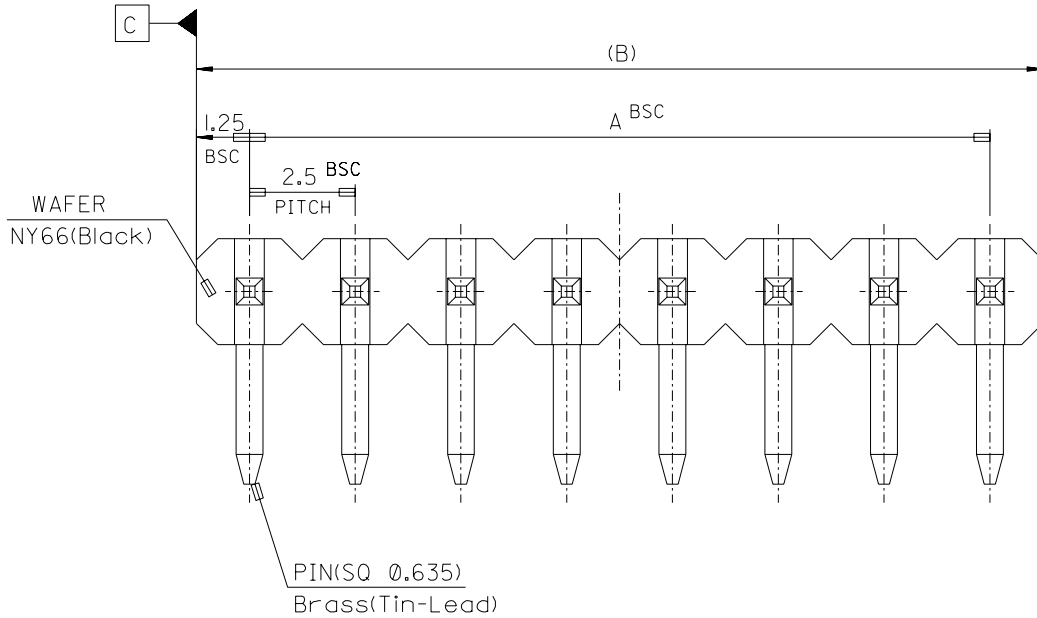


ENG NO.	A	B	ENG NO.	A	B
68129-0211	2.5	5.0	68129-1611	37.5	40.0
68129-0311	5	7.5	68129-1711	40.0	42.5
68129-0411	7.5	9.0	68129-1811	42.5	45.0
68129-0511	10.0	12.5	68129-1911	45.0	47.5
68129-0611	12.5	15.0	68129-2011	47.5	50.0
68129-0711	15.0	17.5	68129-2111	50.0	52.5
68129-0811	17.5	20.0	68129-2211	52.5	55.0
68129-0911	20.0	22.5	68129-2311	55.0	57.5
68129-1011	22.5	25.0	68129-2411	57.5	60.0
68129-1111	25.0	27.5	68129-2511	60.0	62.5
68129-1211	27.5	30.0	68129-2611	62.5	65.0
68129-1311	30.0	32.5	68129-2711	65.0	67.5
68129-1411	32.5	35.0	68129-2811	67.5	70.0
68129-1511	35.0	37.5	68129-2911	70.0	72.5
			68129-3011	72.5	75.0



NOTES

1. Material: NY66 UL94-V-0, GF 30%
2. Plating : Post Tin Lead Plating(SnPb 9:1)
3. Product Specification : PS-68129-001

REVISED
 KOR2003-0269
 SSSin 030626
 JKOH
 CWLEE

8:1 X

YSKim 971024

JKOH

CWLEE

SD68129.DGN

X

2.5 Pitch Header
 (RA ,DIP TYPE)

SD 68129-001

1 of 1