

No. of Pin	Dimension(mm)	
	L1	L2
006	2.54	3.81
008	3.81	5.08
010	5.08	6.35
012	6.35	7.62
014	7.62	8.89
016	8.89	10.16
018	10.16	11.43
020	11.43	12.70
022	12.70	13.97
024	13.97	15.24
026	15.24	16.51
028	16.51	17.78
030	17.78	19.05
032	19.05	20.32
034	20.32	21.59
036	21.59	22.86
038	22.86	24.13
040	24.13	25.40
042	25.40	26.67
044	26.67	27.94
046	27.94	29.21
048	29.21	30.48
050	30.48	31.75
052	31.75	33.02
054	33.02	34.29
056	34.29	35.56
058	35.56	36.83
060	36.83	38.10
062	38.10	39.37
064	39.37	40.64
066	40.64	41.91
068	41.91	43.18
070	43.18	44.45
072	44.45	45.72
074	45.72	46.99
076	46.99	48.26
078	48.26	49.53
080	49.53	50.80
082	50.80	52.07
084	52.07	53.34
086	53.34	54.61
088	54.61	55.88
090	55.88	57.15
092	57.15	58.42
094	58.42	59.69
096	59.69	60.96
098	60.96	62.23
100	62.23	63.50

REV.	DESCRIPTION	DRAWN	DATE
A	Release	Lyndon Lin	2008/12/26
B	Add Pin Code "081/2"	Lyndon Lin	2009/04/08
C	Add Pin Code "081/3"	Ryan Chou	2010/06/28

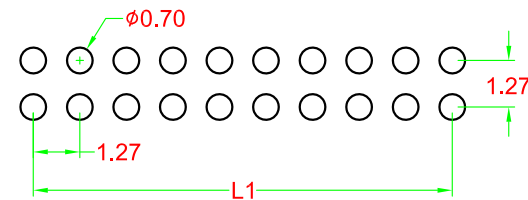
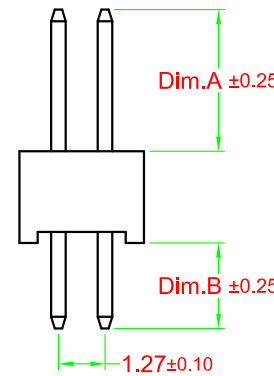
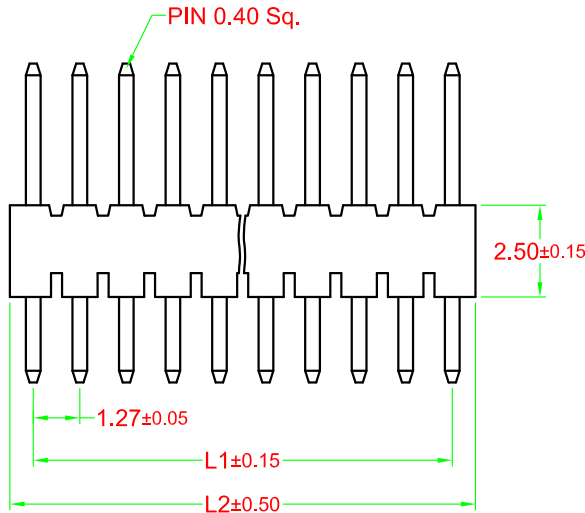
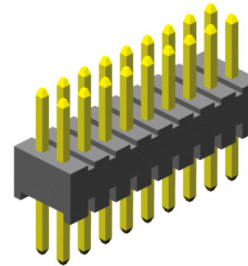
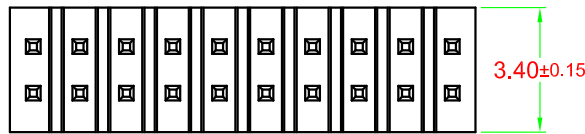
Order Code  
**SL2-xxx-S 081/ x-xx/11**

No. of Pin  
**006 to 100**

Plating

- 55** = Gold flash (Standard)
- 66** = 10μ" Gold
- 77** = 15μ" Gold
- 88** = 30μ" Gold
- 99** = Tin
- Duplex plating
- 95** = Tin/Gold flash
- 96** = Tin/10μ" Gold
- 97** = Tin/15μ" Gold
- 98** = Tin/30μ" Gold

Pin Code	Dimension(mm)	
	Dim. "A"	DIM. "B"
<b>081/1</b>	3.00	2.60
<b>081/2</b>	4.00	2.60
<b>081/3</b>	6.00	2.60
Other dimension on request		

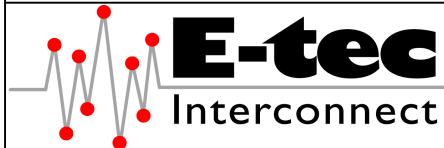


Recommended PCB Hole Layout  
(PCB TOLERANCE ±0.05)



### SPECIFICATIONS

- Current Rating : 1A
- Insulator resistance : 1000 MΩ min.
- Contact Resistance : 20 mΩ max.
- Dielectric Withstanding : AC 500V/Minute
- Operating Temperature : -40° ~ +105°C
- Insulator Material: Nylon-6T, UL 94V-0
- Color : Black
- Contact Material: Brass
- Plating: Gold, Tin or Duplex
- \*Duplex = Gold plated on contact area, Tin on solder area



UNIT	SCALE	GENERAL TOLERANCE	DRAWN	DATE	DWG. NO.	SHEET 1/1
mm	Free	X.° ± 3° .X° ±	Lyndon Lin	Dec 26 2008	SL2-S081/x	
		X. ± .X0 ± 0.38	Lyndon Lin	Jun 28 2010	Series NO.	REV. C
		XX. ± .XX ± 0.25	Selena Hong	Jun 28 2010	SL2-xxx-S081/x-xx/11	
		XXX. ± .XXX ±				

1.27mm Pitch Pin Header  
-THT- Straight  
Dual Row  
"Insulator H:2.50mm"