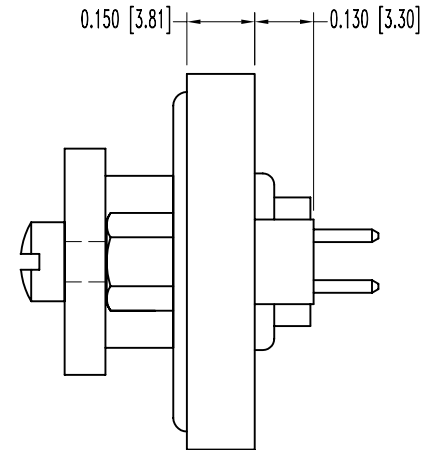
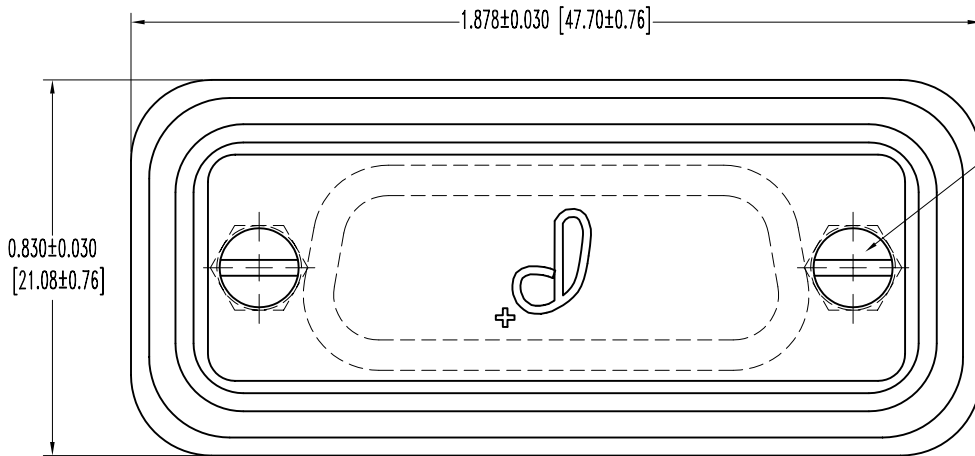


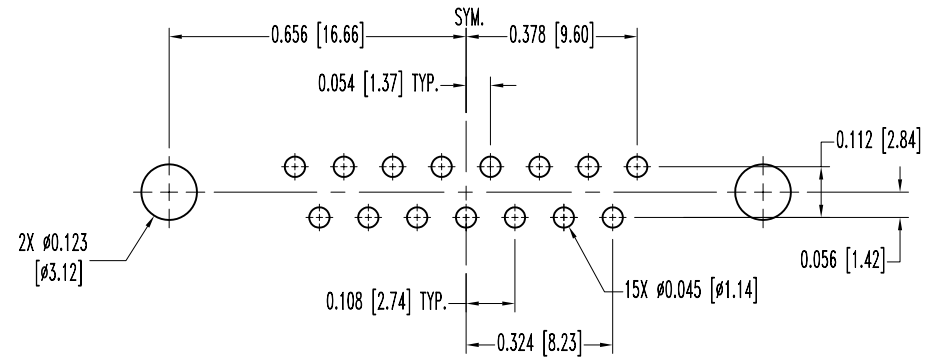
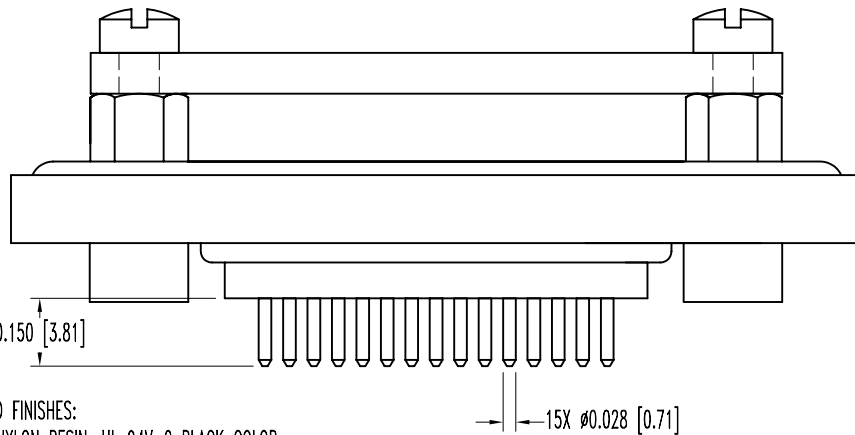
SK5645

POSITRONIC INDUSTRIES BELIEVES THE DATA ON THIS DRAWING TO BE RELIABLE. SINCE THE TECHNICAL INFORMATION IS GIVEN FREE OF CHARGE, THE USER EMPLOYS SUCH INFORMATION AT HIS OWN DISCRETION AND RISK. POSITRONIC INDUSTRIES ASSUMES NO RESPONSIBILITY FOR RESULTS OBTAINED OR DAMAGES INCURRED FROM USE OF SUCH INFORMATION IN WHOLE OR IN PART.

DATE	REV	REVISION RECORD	APP	DR	CK
9-1-04	NC	ECO 22944		YK	



2X 4-40 UNC-2B



CONTACT HOLE PATTERN

NOTES:

- MATERIALS AND FINISHES:
 INSULATOR: NYLON RESIN, UL 94V-0 BLACK COLOR.
 CONTACTS: PRECISION MACHINED HIGH TENSILE PHOSPHOR BOONZE, GOLD FLASH OVER NICKEL PLATE.
 SHELLS: STEEL, ZINC PLATE WITH DICHROMATE SEAL.
 JACKSCREW: STEEL, ZINC PLATE WITH DICHROMATE SEAL.
 PANEL MOUNT PLATE: GLASS FILLED THERMOPLACSTIC WITH ELASTOMER O-RING.
 DUST COVER: CONDUCTIVE POLYESTER, COLOR BLACK.
- ELECTRICAL CHARACTERISTICS:
 CONTACT CURRENT RATING: 7.5 AMPS NOMINAL.
 INITIAL CONTACT RESISTANCE: 0.008 OHMS MAXIMUM.
 INSULATOR RESISTANCE: 5 G OHMS.
 WORKING VOLTAGE: 300 V r.m.s.
- TEMPERATURE RANGE: -25°C TO +85°C.
- DIMENSIONS ARE IN INCHES [MILLIMETERS].

		POSITRONIC INDUSTRIES INC. www.connectpositronic.com	
	WD SERIES	SCALE N.T.S.	DRAWN BY YK
DECIMAL TOL. ± 0.015 [0.38]	TITLE WD15F3C5AT70		
ANGULAR TOL. ± 5°	DATE 9-1-04	DRAWING NUMBER SK5645	REV. NC