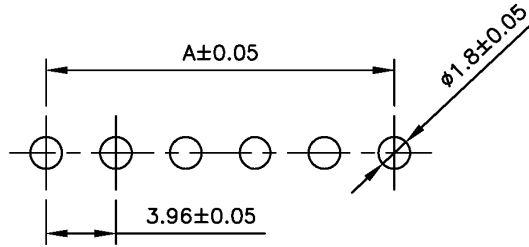
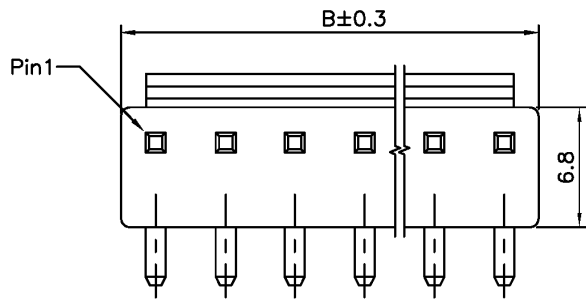
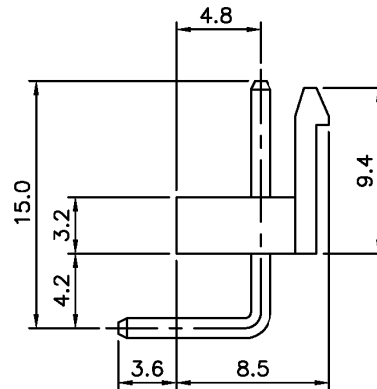
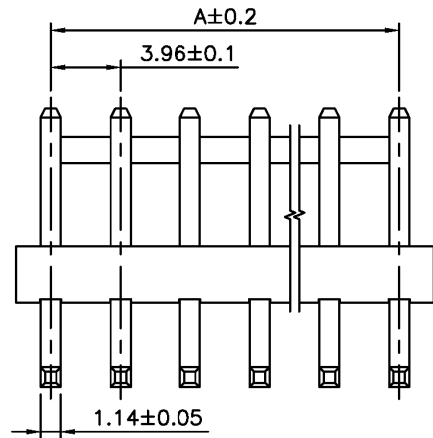


SPECIFICATIONS

Current Rating: 7A AC/DC
 Voltage Rating: 250V AC/DC
 Contact Material: Brass, Tin Plated
 Contact Resistance: 20mΩ max
 Base Material: Nylon 66 UL94V-0
 Insulation Resistance: 1000MΩ min
 Poles: 2~15
 Withstanding: 1500V AC/minute
 Temperature Range: -25°C to +85°C



Recommad PCB Layout



Dimensions (mm)					
Poles	A	B	Poles	A	B
2	3.96	7.86	9	31.68	35.58
3	7.92	11.82	10	35.64	39.54
4	11.88	15.78	11	39.60	43.50
5	15.84	19.74	12	43.56	47.46
6	19.80	23.70	13	47.52	51.42
7	23.76	27.66	14	51.48	55.38
8	27.72	31.62	15	55.44	59.34

Series	Type	Style	Positions	Plating
JS	1120	XX	XX	TN
PCB Connector	Friction Lock Header	Blank=Straight RA=Right Angle	02-15	TN=Tin

RoHS compliant

Rev.	Description	Date	Approved	Drawing	Name	Date
				Approved	Howard	07/01/07
				Checked	Lizzy	07/01/07
				Drawn	Tina	07/01/07
				0.0 ± 0.35	0.00 ± 0.20	Angles ± 3'
				UNIT: mm		

Central Components Manufacturing
 440 Lincoln Blvd., Middlesex, New Jersey 08846
 Phone 732 469-5720 888 288-5152 Fax 732 469-1919

Part No.: **JS-1120-RA-XX-TN**

Description: 3.96mm Crimp Style Connectors Wafer