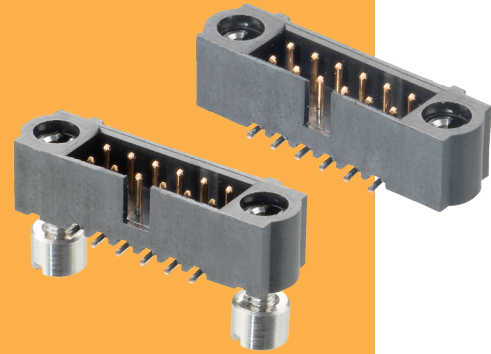


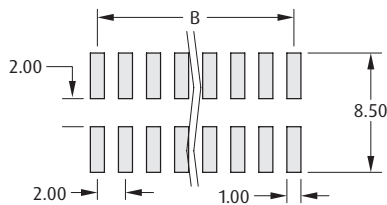
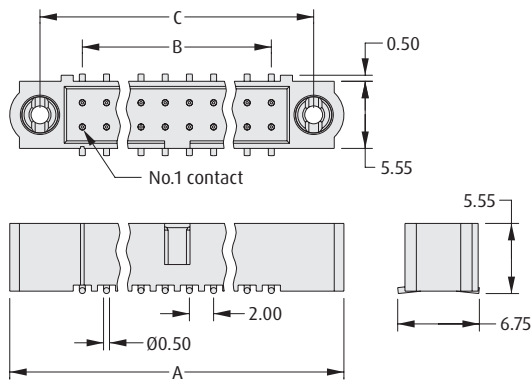
Datamate J-Tek Connectors

Male Vertical Surface Mount 101Lok

- ❖ 101Lok fixing gives secure, fast and simple mating; no special tooling required. Just a simple 101-degree turn is required to fix the connectors together.
- ❖ Connectors mate with Datamate J-Tek female connectors with applicable 101Lok fixings.
- ❖ Board Mount provides PCB strain relief.
- ❖ Gull wing SMT tails simplify inspection process.



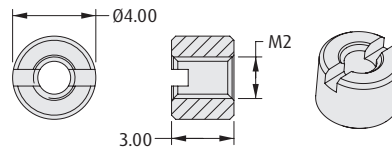
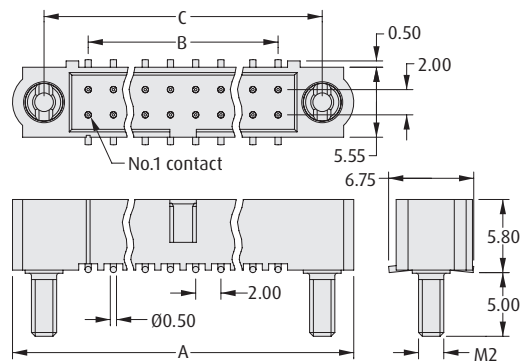
101LOK



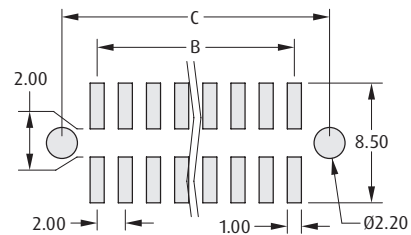
Recommended PC Board Pattern

| CALCULATION | |
|-------------|---------------------------|
| A | $B + 12$ |
| B | Total no. of contacts - 2 |
| C | $B + 7$ |

101LOK WITH BOARD MOUNT



Board Mount Nut,
2 per connector



Recommended PC Board Pattern

HOW TO ORDER

M80 - 5S1 XX XX MX

SERIES CODE

TOTAL NO. OF CONTACTS

04, 06, 08, 10, 12, 14, 20, 26, 34, 42, 50

JACKSCREW

| | |
|-----------|-----------------------------|
| MC | 101Lok |
| ME | 101Lok with 5mm Board Mount |

FINISH

| | |
|-----------|------------|
| 05 | Gold |
| 42 | Gold + Tin |

All dimensions in mm.