

## FEATURES AND SPECIFICATIONS

### Features and Benefits

- Sizes 2 to 28 circuits
- Standard with locking ramp
- Molded-in strain reliefs

### Reference Information

Product Specification: PSX-7690S

Packaging: Bag

Tooling Information: See end of section

UL File No.: E29179

CSA File No.: LR19980

Mates With: Molex KK 2.54mm (.100") pitch headers and 0.64mm (.025") pins

Use Molex Cable: 7234, 7307, 7767, 8996, 8997, 24214, 24226 and 24241

Designed In: Inches

### Electrical

Voltage: 250V

Current: 2.5A

Contact Resistance: 20mΩ max.

Dielectric Withstanding Voltage: 1500V

Insulation Resistance: 200K MΩ min.

### Mechanical

Contact Retention to Housing: 8 lb min.

Wire Pull-Out Force: 1.35 lb min.

Mating Force: 9 oz max.

Unmating Force: 2 oz min.

Normal Force: 6.5 oz min.

### Physical

Housing: Natural nylon, UL 94V-2

Contact: Brass

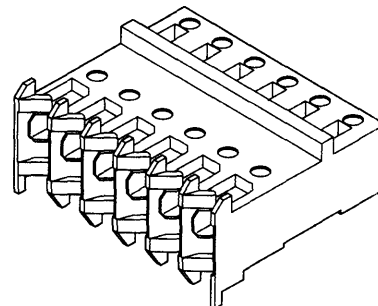
Plating: Tin

Wire Range: 0.76mm (.030") to 1.42mm (.056") OD

# molex® 2.54mm (.100") Pitch KK® Connector

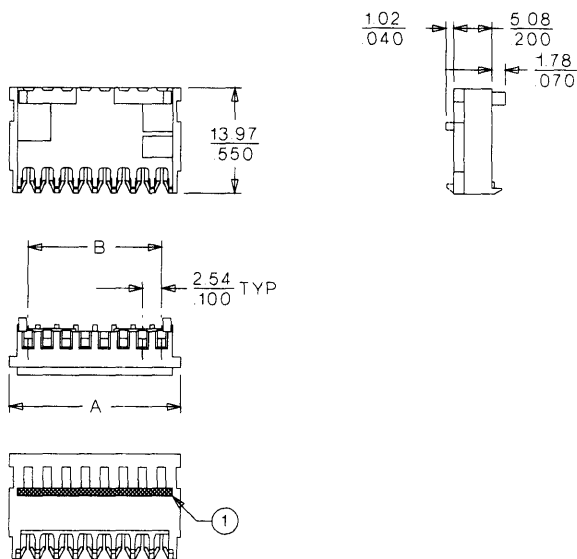
## 7720S

## IDT, High Pressure Cat Ear Contact System



2.54mm (.100") Pitch

## CATALOG DRAWING (FOR REFERENCE ONLY)



① Colored stripe on full length of rib denotes wire gauge. See chart below.

Polarizing Key	Order No.
	15-04-0292

## ORDERING INFORMATION AND DIMENSIONS

Color Identification Stripe		
ID Slot Version	Color	Type of Wire Terminated [all wires have a max. insulation diameter of 1.42mm (.056")]
H	Green	24 AWG stranded, 26 AWG solid and fused, and 28 AWG fused
J	Brown	26 AWG stranded, and 28 AWG solid and stranded

Circuits	Version		Dimension	
	H	J	A	B
2	22-50-3025	38-00-2092	7.59 (.299)	2.54 (.100)
3	22-50-3035	38-00-2093	10.13 (.399)	5.08 (.200)
4	22-50-3045	38-00-2094	12.67 (.499)	7.62 (.300)
5	22-50-3055	38-00-2095	15.21 (.599)	10.16 (.400)
6	22-50-3065	38-00-2096	17.79 (.699)	12.70 (.500)
7	22-50-3075	38-00-2097	20.29 (.799)	15.24 (.600)
8	22-50-3085	38-00-2098	22.83 (.899)	17.78 (.700)
9	22-50-3095	38-00-2099	25.37 (.999)	20.32 (.800)
10	22-50-3105	38-00-2100	27.91 (1.099)	22.86 (.900)
11	22-50-3115	38-00-2101	30.45 (1.199)	25.40 (1.000)
12	22-50-3125	38-00-2102	32.99 (1.299)	27.94 (1.100)
13	22-50-3135	38-00-2103	35.53 (1.399)	30.48 (1.200)
14	22-50-3145	38-00-2104	38.07 (1.499)	33.02 (1.300)
15	22-50-3155	38-00-2105	40.61 (1.599)	35.56 (1.400)

Circuits	Version		Dimension	
	H	J	A	B
16	22-50-3165	38-00-2106	43.15 (1.699)	38.10 (1.500)
17	22-50-3175	38-00-2107	45.69 (1.799)	40.64 (1.600)
18	22-50-3185	38-00-2108	48.23 (1.899)	43.18 (1.700)
19	22-50-3195	38-00-2109	50.77 (1.999)	45.72 (1.800)
20	22-50-3205	38-00-2110	53.31 (2.099)	48.26 (1.900)
21	22-50-3215	38-00-2111	55.85 (2.199)	50.80 (2.000)
22	22-50-3225	38-00-2112	58.39 (2.299)	53.34 (2.100)
23	22-50-3235	38-00-2113	60.93 (2.399)	55.88 (2.200)
24	22-50-3245	38-00-2114	63.47 (2.499)	58.42 (2.300)
25	22-50-3255	38-00-2115	66.01 (2.599)	60.96 (2.400)
26	22-50-3265	38-00-2116	68.55 (2.699)	63.50 (2.500)
27	22-50-3275	38-00-2117	71.09 (2.799)	66.04 (2.600)
28	22-50-3285	38-00-2118	73.63 (2.899)	68.58 (2.700)