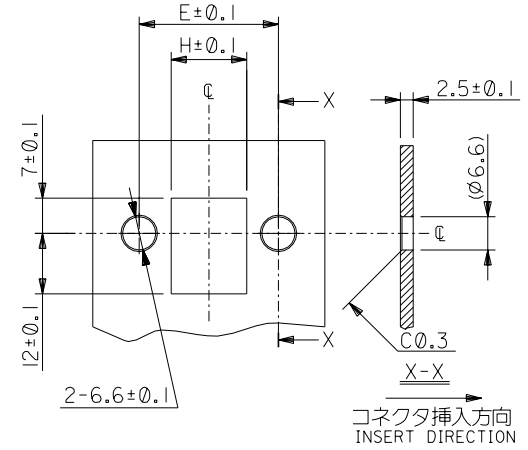
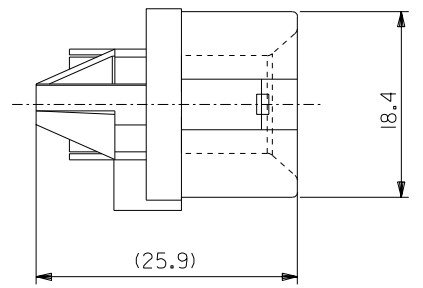
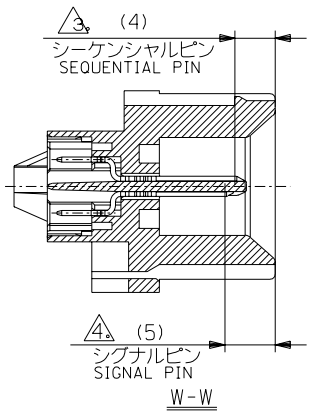


回路番号1  
(シーケンシャルピン)  
CKTS. No.1  
(SEQUENTIAL PIN)

回路番号表示  
CKTS. No. IDENTIFICATION



- 注) 推奨モールドパネル加工寸法  
PANEL CUT DIMENSIONS
1. 材質 MATERIAL  
ハウジング: ポリカーボネート UL94V-0 黒  
HOUSING: POLYCARBONATE, UL94V-0, BLACK  
ピン: 黄銅  
PIN: BRASS
2. ピンメッキ仕様 PIN PLATING  
金メッキ: 0.25µm MIN. (接点部)  
GOLD: 0.25µm MIN. (CONTACT AREA)  
鍍メッキ: 2µm MIN. (リセプタクル嵌合部)  
TIN-LEAD: 2µm MIN. (RECEPTACLE CONNECTED AREA)  
ニッケルメッキ: 2µm MIN. (下地メッキ)  
NICKEL: 2µm MIN. (UNDER PLATING)
- ③ 適用極: 1  
APPLIES CKTS. No.: 1
- ④ 適用極: 2 ~ N  
APPLIES CKTS. No.S: 2 ~ N
5. 適合リセプタクル: 52484-\*\*\*10, 51090-\*\*\*00  
APPLICABLE RECEPTACLE: 52484-\*\*\*10, 51090-\*\*\*00
6. 嵌合相手: 52968-\*\*\*19  
MATES WITH: 52968-\*\*\*19
7. フローティング量: 全周 1.0mm  
FLOATING DIM.: 1.0mm (CIRCUMFERENCE)
8. 本製品は 53717-\*\*\*11 の鉛フリー品である。  
THIS PRODUCT IS LEAD FREE OF 53717-\*\*\*11



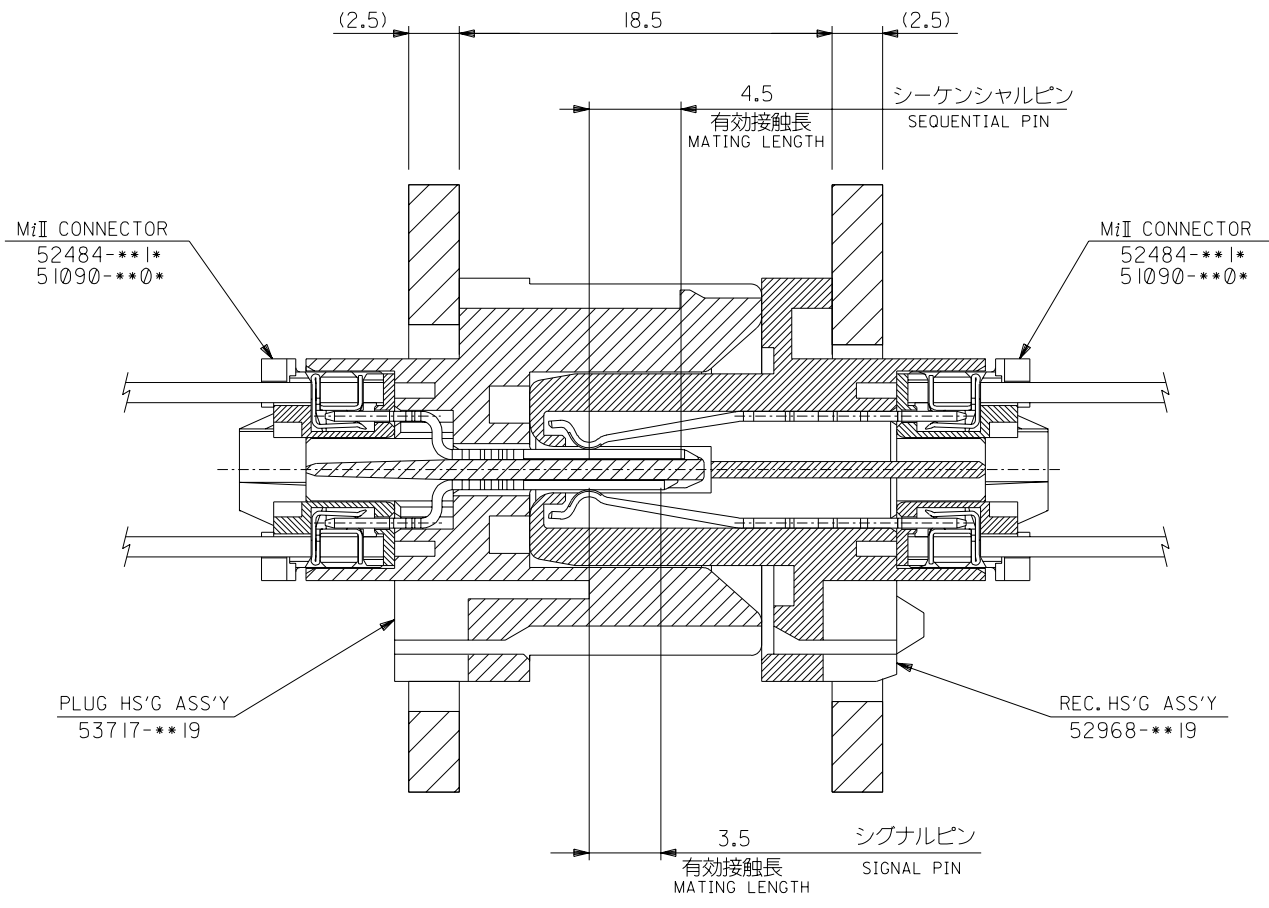
15	10	12	27.6	18.4	35.7	18.85	4	53717-0619	53717-***19	6
H	G	F	E	D	C	B	(A)	MATERIAL NO.	MODEL NO.	CKT.

DO NOT SCALE DRAWING

②64NO. DRWN: CH'K: APPR:	②63NO. DRWN: CH'K: APPR:	②62NO. DRWN: CH'K: APPR:	②61NO. DRWN: CH'K: APPR:	②60NO. J2004-2418 DRWN: H.SHIMABUKURO CH'K: K.TOJO APPR: M.SASAO	MATERIAL 材料 SEE NOTE  FINISH 仕上げ SEE NOTE  WIRE RANGE 適用電線範囲 —#—  INS. RANGE 被覆外径 —#—
RELEASED '04/22/13 ②60NO. J2004-2418 DRWN: H.SHIMABUKURO CH'K: K.TOJO APPR: M.SASAO					
REV 0					

GENERAL TOLERANCES: (UNLESS SPECIFIED) 一般公差	SCALE 2-1	DESIGN UNITS <input checked="" type="checkbox"/> mm <input type="checkbox"/> INCH	DIMENSIONS: <input type="checkbox"/> mm <input type="checkbox"/> INCH <input checked="" type="checkbox"/> mm ONLY	SHT 1 REV 2 REVERSE ON CAD ONLY
10 UNDER 未満 ±0.2 10 OVER 30 UNDER 未満 ±0.25 30 OVER 以上 ±0.3	DRAWN BY & DATE H.SHIMABUKURO '04/2/13	TITLE: 2mm PITCH FLOATING CONN. PLUG HS'G ASS'Y -LEAD FREE-		
ANGLE 角度 ±3°	CHECKED BY & DATE K.TOJO '04/2/13	MOLEX MOLEX INCORPORATED		
APPROVED BY & DATE M.SASAO '04/2/13		CAD FILENAME 53717007.S01	MATERIAL NO. SEE CHART	DRAWING NO. SD-53717-007
THIS DRAWING CONTAINS INFORMATION THAT IS PROPRIETARY TO MOLEX INCORPORATED AND SHOULD NOT BE USED WITHOUT WRITTEN PERMISSION.				SHEET NO. 1 OF 2 SIZE B

DWG. NO.  
SD-53717-007



DO NOT SCALE DRAWING

64NO. DRAWN: CHK: APPR:	63NO. DRAWN: CHK: APPR:	62NO. DRAWN: CHK: APPR:	61NO. DRAWN: CHK: APPR:	60NO. DRAWN: SEE SHEET 1 OF 2 CHK: APPR:	MATERIAL 材料 #	GENERAL TOLERANCES: (UNLESS SPECIFIED) 一般公差	SCALE 4-1	DESIGN UNITS mm INCH	DIMENSIONS: mm INCH mm ONLY	SHT 2 OF 2	REV 04/2/13
					FINISH 仕上げ #	10 UNDER 未満 ±0.2 30 UNDER 未満 ±0.25 30 OVER 以上 ±0.3	DRAWN BY & DATE H.SHIMABUKURO 04/2/13 CHECKED BY & DATE K.TOJO 04/2/13 APPROVED BY & DATE M.SASAO 04/2/13	TITLE: 2mm PITCH FLOATING CONN. PLUG HS'G ASS'Y -LEAD FREE-	MOLEX INCORPORATED	MATERIAL NO. SEE SHEET 1 OF 2	DRAWING NO. SD-53717-007
WIRE RANGE 適用電線範囲 #	INS. RANGE 被覆外径 #	WIRE RANGE 適用電線範囲 #	ANGLE 角度 ±3°	CAD FILENAME 53717007.S02	MOLEX DRAWING CONTAINS INFORMATION THAT IS PROPRIETARY TO MOLEX INCORPORATED AND SHOULD NOT BE USED WITHOUT WRITTEN PERMISSION.	SIZE B	EN-02J(097) MXJ-54				

SD-53717007.S04