

# CUSTOMER INFORMATION SHEET

ORDER CODE:

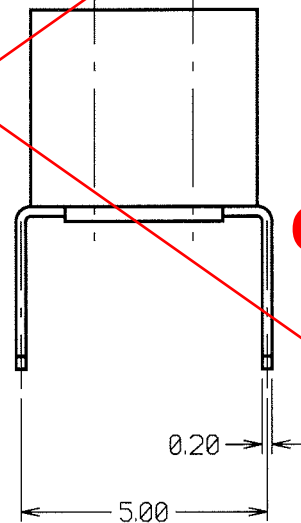
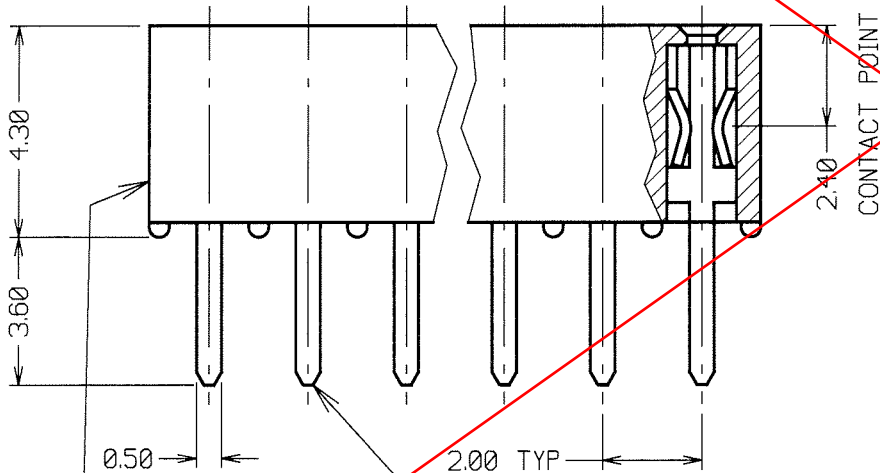
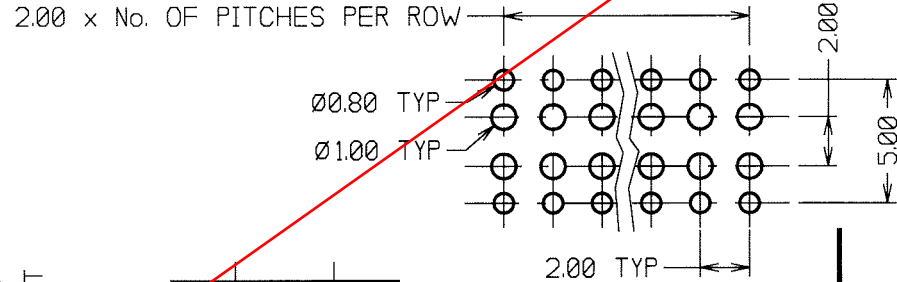
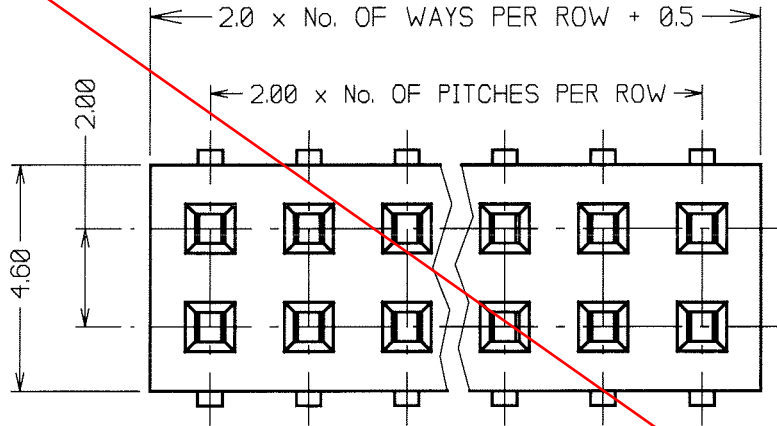
**M22-644XXXX**

No. OF WAYS PER ROW  
02 TO 25

FINISH  
06 - TIN  
22 - SELECTIVE; GOLD ON CONTACT FACES, TIN ON TAILS

### SPECIFICATIONS:

CURRENT RATING = 1 AMP  
INSULATOR RESISTANCE = 5000 MEGOHMS MIN  
CONTACT RESISTANCE = 20 MILLIOHMS MAX  
DIELECTRIC WITHSTANDING = AC 500V  
OPERATING TEMPERATURE = -40°C TO +105°C



# OBSOLETE

MOULDING: MATERIAL = POLYESTER UL94V-0

CONTACTS: MATERIAL = PHOSPHOR BRONZE  
FINISH = 06 - TIN  
22 - SELECTIVE GOLD

3	16.07.96	3419
2	12.07.96	3412
1	04.04.96	----

ISS.	DATE	C/N
------	------	-----

APPROVED:

CHECKED:

DRAWN: A LIOTTA

CUSTOMER REF.

ASSEMBLY DRG:

# HARWIN

HARWIN INC U.S.A. TEL: (812) 285 0055 FAX: (812) 285 0056	HARWIN PLC U.K. TEL: 01705 370451 FAX: 01705 324010	HARWIN PTE SINGAPORE TEL: 65 7794909 FAX: 65 7793868	HARWIN CONNECTORS KOREA TEL: 822 521 0747 FAX: 822 521 0749
--	--	---	--

TOLERANCES  
 X. = ±1mm  
 X.X = ±0.25mm  
 X.XX = ±0.10mm  
 X.XXX = ±0.01mm  
 ANGLES = ±1°  
 UNLESS STATED

MATERIAL:  
SEE ABOVE

FINISH: SEE ABOVE

S/AREA: mm<sup>2</sup>

TITLE:  
2mm DIL LOW PROFILE BOTTOM ENTRY SOCKET ASSEMBLY

DRAWING NUMBER:  
**M22-644XXXX**

SHT 2 OF 2